



Synthetic hoses for pneumatics

- Various variants
- PUR - thereby greater flexibility
- PA for higher pressure ranges
- PTFE for higher temperatures
- PE for standard applications

Product variants described in the data sheet may differ from the product presentation and description.

Type description

Synthetic hoses made from polyurethane (PUR), polyamide (PA soft) and polyethylene are very resistant at room temperature to water and oil. They are especially suitable as a compressed air line. They are available in 50 and 100 metre rolls.

The life span depends on the intensity of the ambient temperature and the operational pressure.

PTFE hoses are suitable for high temperatures and are resistant to aggressive and corrosive media; food resistant; only available in 50 metre rolls.

Table of contents

1. General technical data	3
1.1. Bench mark for load factor	3
2. Dimensions	3
3. Ordering information	4
3.1. Bürkert eShop – Easy ordering and quick delivery.....	4
3.2. Bürkert product filter.....	4
3.3. Ordering chart.....	4
PUR synthetic hose, (Shore 98±2), temperature range -40 °C to +70 °C.....	4
PA 12 flexible, temperature range -40 °C to +90 °C	4
LDPE synthetic hose, temperature range -10 °C to +40 °C.....	5
PTFE hose, temperature range -196 °C to +250 °C.....	5



1. General technical data

1.1. Bench mark for load factor

Note:

Other versions on request

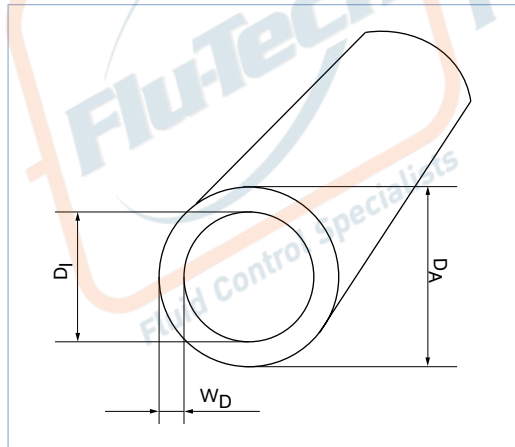
Temperature °C	Load factor of the permitted operational pressure (%) in relation to the Temperature (°C)		
	PUR	PA	PE
20	100	100	100
40	72	68	72
60	55	51	-
80	-	38	-
90	-	35	-
95	-	33	-

Temperature °C	Pressure factor %
	PTFE
20	100
50	50
100	35
150	30
200	10
95	-

2. Dimensions


Note:

Dimensions in mm



3. Ordering information

3.1. Bürkert eShop – Easy ordering and quick delivery




Bürkert eShop – Easy ordering and fast delivery

You want to find your desired Bürkert product or spare part quickly and order directly? Our online shop is available for you 24/7. Sign up and enjoy all the benefits.

Order online now

3.2. Bürkert product filter



Bürkert product filter – Get quickly to the right product

You want to select products comfortably based on your technical requirements? Use the Bürkert product filter and find suitable articles for your application quickly and easily.

Try out our product filter

3.3. Ordering chart

PUR synthetic hose, (Shore 98±2), temperature range -40 °C to +70 °C

Note:

Tolerance: +0.05 to -0.1 mm ±0.08 mm permissible curvature radius ≥ R_{min}

Dimensions DA, DI, WD	Max. operating pressure at 23 °C [bar]	Min. curvature radius R _{min} [mm]	Weight [g/m]	Roll length 50 m		Roll length 100 m	
				Article no. colour blue	Article no. colour black	Article no. colour blue	Article no. colour black
4 / 2.5 / 0.75	13	20	11.0	780630 ☒	780631 ☒	771860 ☒	771863 ☒
6 / 4 / 1	11	25	19.0	780632 ☒	780633 ☒	771287 ☒	771286 ☒
8 / 6 / 1	8	35	27.0	780634 ☒	780635 ☒	771288 ☒	771864 ☒
10 / 7.5 / 1.25	8	40	34.0	780636 ☒	780637 ☒	771861 ☒	771865 ☒
12 / 9 / 1.50	7	45	41.8	-	780639 ☒	771862 ☒	771866 ☒

PA 12 flexible, temperature range -40 °C to +90 °C

Note:

Tolerance: +0.05 to -0.1 mm ±0.08 mm permissible curvature radius ≥ R_{min}

Dimensions DA, DI, WD	Max. operating pressure at 20 °C [bar]	Min. curvature radius R _{min} [mm]	Weight [g/m]	Roll length 50 m			Roll length 100 m		
				Article no. colour blue	Article no. colour nature	Article no. colour black	Article no. colour blue	Article no. colour nature	Article no. colour black
4 / 2.7 / 0.65	30	20	10	780640 ☒	780642 ☒	780641 ☒	771867 ☒	771876 ☒	771872 ☒
6 / 4 / 1	27	25	16	780643 ☒	780645 ☒	780644 ☒	771868 ☒	771296 ☒	771295 ☒
8 / 6 / 1	15	30	23	780646 ☒	780648 ☒	780647 ☒	771869 ☒	771297 ☒	771873 ☒
10 / 8 / 1	15	60	30	780649 ☒	780651 ☒	780650 ☒	771870 ☒	771877 ☒	771874 ☒
12 / 9 / 1.50	19	85	36	780652 ☒	780654 ☒	780653 ☒	771871 ☒	771878 ☒	771875 ☒

Visit product website ▶



LDPE synthetic hose, temperature range -10 °C to +40 °C

Note:Tolerance: DA ±0.1 mm; ±0.1 mm permissible curvature radius ≥ R_{min}

Dimensions DA, DI, WD	Max. operating pressure at 20 °C [bar]	Min. curva- ture radius R _{min} [mm]	Weight [g/m]	Roll length 50 m			Roll length 100 m		
				Article no. colour blue	Article no. colour nature	Article no. colour black	Article no. colour blue	Article no. colour nature	Article no. colour black
4 / 2 / 1	20	20	9	780655	780657	780656	771879	771886	771881
6 / 4 / 1	13	30	14	780658	780660	780659	771289	771290	771882
8 / 6 / 1	8	40	20	780661	780663	780662	771291	771292	771883
10 / 8 / 1	6	60	26	780664	780666	780665	771293	771294	771884
12 / 10 / 1	5	85	31	780667	780669	780668	771880	771887	771885

PTFE hose, temperature range -196 °C to +250 °C

Note:

Tolerance: ±0.2 mm

Dimensions DA, DI, WD	Max. operating pressure at 23 °C [bar]	Min. curvature radius R _{min} [mm]	Weight [kg/m]	Roll length 50 m Article no. colour nature
4 / 2 / 1	25	20	2.05	788879
6 / 4 / 1	18	33	3.43	788880
8 / 6 / 1	14	47	4.80	788881
10 / 8 / 1	12	60	6.16	788882
12 / 10 / 1	10	72	7.55	788883