



Pressure regulator for water

- Brass version with DVGW and international drinking water approvals
- Stainless steel version with DVGW approval for drinking water
- Compact plastic version
- Manometer port at pressure output

Product variants described in the data sheet may differ from the product presentation and description.

Type description

The water pressure regulator works on the principle of pressure reduction. It is preferably for use in the provided water systems. The pressure regulator consists of a housing, a piston or diaphragm valve with an adjustable spring and a spring cap. The inlet pressure reaches the target value, opens the piston or diaphragm against the spring force of the control valve and builds up the output pressure. The output pressure is the controlled variable. When exceeding the nominal value the valve closes, when there is a shortfall the valve opens and thus the output pressure is kept almost constant. By changing the spring tension, the spring setpoint can be continuously adjusted.

The pressure regulator is available in four versions:

- **Version I** brass housing with DIN DVGW and international drinking water approvals
- **Version II** brass housing with inspectable Filter, DIN DVGW and international drinking water approvals
- **Version III** stainless steel housing with DIN DVGW approval
- **Version IV** plastic housing with union connection G 1/8" and G 1/4" Type TFU006 with plastic body and ported connection G 1/8 and G 1/4

Table of contents





1. General technical data	3
1.1. Version I	3
1.2. Version II	3
1.3. Version III	4
1.4. Version VI	4
2. Ordering information	5
2.1. Bürkert eShop – Easy ordering and quick delivery	5
2.2. Bürkert product filter	5
2.3. Pressure regulator for water	6
Version I	6
Version II	6
Spare parts Version I and II	6
2.4. Pressure regulator for water in stainless steel	7
Version III	7
Spare parts Version III	7
2.5. Pressure regulator for water in plastic	7
Version IV	7
2.6. Control panel nut	8
2.7. Mounting bracket for control panel mounting, steel galvanized	8

DTS 1000118120 EN Version: K Status: RL (released | freigegeben | validé) printed: 23.03.2020







1. General technical data

1.1. Version I

Product properties	
Dimensions	Detailed information can be found in chapter Cross "2.3. Pressure regulator for water" on page 6.
Materials	
Body	EN 1982 CC770S
Sealing	EPDM
Diaphragm	EPDM
Valve seat	Stainless steel (AISI 304)
Valve type	Single seat valve, relieved
Filter	Mesh-size 0.51 mm
Performance data	
Inlet pressure	Max. 25 bar ^{1.)}
Outlet pressure	1...6 bar ^{1.)}
Default setting	3 bar ^{1.)}
Flow rate	1...2 m/s (optimum values)
Noise class II	<30 dB
Medium data	
Medium temperature	+60 °C
Approvals and certificates	
Approvals	   
Product connections	
Pressure gauge connection	G ¼ (without pressure gauge)
Port connections	½" to 2" (threaded male)
Environment and installation	
Mounting place	If possible directly behind the counter
Installation position	Horizontal or vertical, preferably spring cap upright. Observe flow direction!

1.) Pressure values: Overpressure with respect to atmospheric pressure

1.2. Version II

Product properties	
Dimensions	Detailed information can be found in chapter Cross "2.3. Pressure regulator for water" on page 6.
Materials	
Body	Brass DZR EN 12165 CW617N
Sealing	EPDM
Diaphragm	EPDM
Valve seat	Stainless steel (AISI 304)
Valve type	Single seat valve, relieved
Filter	Inspectable, mesh-size 0.51 mm
Performance data	
Inlet pressure	Max. 25 bar ^{1.)}
Outlet pressure	1...6 bar ^{1.)}
Default setting	3 bar ^{1.)}
Flow rate	1...2 m/s (optimum values)
Noise class II	<30 dB
Medium data	
Medium temperature	+40 °C
Approvals and certificates	
Approvals	   

Visit product website ►

3 | 9



บริษัท ฟลูเทค จำกัด
FLU-TECH CO.,LTD

845/3-4 หมู่ 3 ถ.เทพารักษ์ ต.เทพารักษ์ อ.เมือง จ.สมุทรปราการ 10270
845/3-4 Thepharak RD., T.Thepharak, A.Muang, Samutprakarn 10270 THAILAND
Tel. 0 2384 6060, Fax 0 2384 5701, Email : sales@flutech.co.th, www.flutech.co.th

Product connections

Pressure gauge connection	G ¼ (without pressure gauge)
Port connections	½" to 1" (threaded male)

Environment and installation

Mounting place	If possible directly behind the counter
Installation position	Horizontal or vertical, preferably spring cap upright. Observe flow direction!

1.) Pressure values: Overpressure with respect to atmospheric pressure

1.3. Version III**Product properties**

Dimensions	Detailed information can be found in chapter Cross "2.4. Pressure regulator for water in stainless steel" on page 7.
------------	--

Materials

Body	Stainless steel 1.4305
Sealing	NBR
Diaphragm	NBR
Valve seat	Stainless steel
Filter bowl	Stainless steel
Valve type	Single seat valve, relieved

Performance data

Inlet pressure	Max. 25 bar ^{1.)}
Outlet pressure	1.5...6 bar ^{1.)}
Default setting	3 bar ^{1.)}
Flow rate	1...2 m/s (optimum values)
Noise class II	<30 dB

Medium data

Medium temperature	+70 °C
--------------------	--------

Approvals and certificates

Approvals

**Product connections**

Pressure gauge connection	Both ways ¼" (without pressure gauge)
Port connections	½" to 2" (threaded male)

Environment and installation

Mounting place	If possible directly behind the counter
Installation position	In horizontal direction, filter bowl downwards

1.) Pressure values: Overpressure with respect to atmospheric pressure

1.4. Version VI**Note:**

Plastic body with threaded ports G ¼ and G ¼

Product properties

Dimensions	Detailed information can be found in chapter Cross "2.5. Pressure regulator for water in plastic" on page 7.
------------	--

Materials

Body	Technopolymer
Special roller diaphragm	NBR
Threaded port	Brass

Performance data

Inlet pressure	Max. 13 bar ^{1.)}
Outlet pressure (continuously adjustable)	0...4 bar ^{1.)} 0...8 bar ^{1.)} 0...12 bar ^{1.)}
Setpoint adjustment	Only ascending pressure, screw can be locked

Visit product website ►

4 | 9



บริษัท ฟลูเทค จำกัด
FLU-TECH CO.,LTD

845/3-4 หมู่ 3 ถ.เทพารักษ์ ต.เทพารักษ์ อ.เมือง จ.สมุทรปราการ 10270
845/3-4 Thepharak RD., T.Thepharak, A.Muang, Samutprakarn 10270 THAILAND
Tel. 0 2384 6060, Fax 0 2384 5701, Email : sales@flutech.co.th, www.flutech.co.th

Medium data

Medium	Water
Medium temperature	Max. + 50 °C

Approvals and certificates

Approvals	None
-----------	------

Product connections

Pressure gauge connection	G 1/8 (without pressure gauge)
Port connections	Threaded port G 1/8 or G 1/4

Environment and installation

Installation position	As required, preferably controller handle upright. Observe flow direction!
-----------------------	--

1.) Pressure values: Overpressure with respect to atmospheric pressure

2. Ordering information

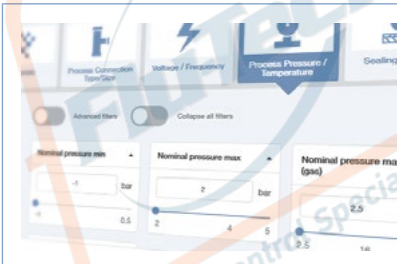
2.1. Bürkert eShop – Easy ordering and quick delivery

**Bürkert eShop – Easy ordering and fast delivery**

You want to find your desired Bürkert product or spare part quickly and order directly? Our online shop is available for you 24/7. Sign up and enjoy all the benefits.

[Order online now](#)

2.2. Bürkert product filter

**Bürkert product filter – Get quickly to the right product**

You want to select products comfortably based on your technical requirements? Use the Bürkert product filter and find suitable articles for your application quickly and easily.

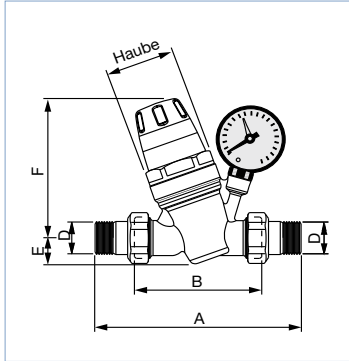
[Try out our product filter](#)

2.3. Pressure regulator for water

Version I

Note:

- Dimensions in mm
- The pressure regulator version I has a pressure gauge connection G ¼ for measuring the output pressure. Delivered without pressure gauge.

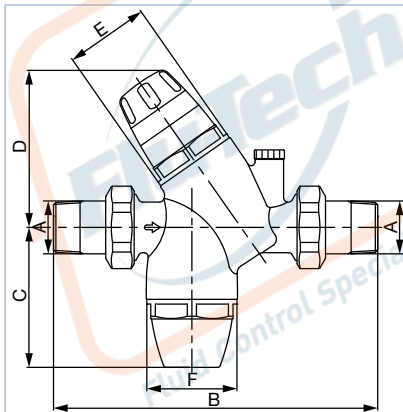


Port connections D	A	B	E	F	Ø Cover	K _{vs}	Article no.
[inch]	[mm]	[mm]	[mm]	[mm]	[mm]	[m³/h]	
½	140.00	76.00	20.50	112.00	54.00	1.27	788439
¾	160.00	90.00	20.50	112.00	54.00	2.27	788440
1	180.00	95.00	20.50	112.00	54.00	3.60	788441
1¼	200.00	110.00	40.00	178.00	73.00	5.80	788442
1½	220.00	120.00	40.00	178.00	73.00	9.10	788443
2	250.00	130.00	40.00	178.00	73.00	14.00	788444

Version II

Note:

- Dimensions in mm
- Delivered without pressure gauge



Port connections A	B	C	D	E	G	K _{vs}	Article no.
[inch]	[mm]	[mm]	[mm]	[mm]	[mm]	[m³/h]	
½	169.00	86.50	100.50	54.00	58.00	1.27	771130
¾	180.00	89.00	98.00	54.00	58.00	2.27	770991
1	205.00	88.50	99.50	54.00	58.00	3.60	770992

Spare parts Version I and II

Note:

Dimensions in mm



Spare parts	Article no.
Cartridge for ½"	771847
Cartridge for ¾"	771847
Cartridge for 1"	771848
Cartridge for 1¼"	771849
Cartridge for 1½"	770243
Cartridge for 2"	770243
Tool for filter case	771851
Filter for Version II	771852
Filter case for Version II	771853

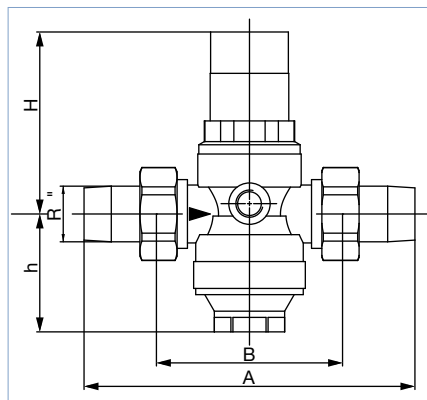
Visit product website

2.4. Pressure regulator for water in stainless steel

Version III

Note:

Dimensions in mm



Port connections R [inch]	A [mm]	B [mm]	H [mm]	h [mm]	K_{vs} [m ³ /h]	Article no.
1/2	140.00	80.00	89.00	58.00	2.40	770977
3/4	160.00	90.00	89.00	58.00	3.10	771854
1	180.00	100.00	111.00	64.00	5.80	771855
1 1/4	200.00	105.00	111.00	64.00	5.90	771856
1 1/2	225.00	130.00	173.00	126.00	12.60	771857
2	255.00	140.00	173.00	126.00	12.00	771858

Spare parts Version III

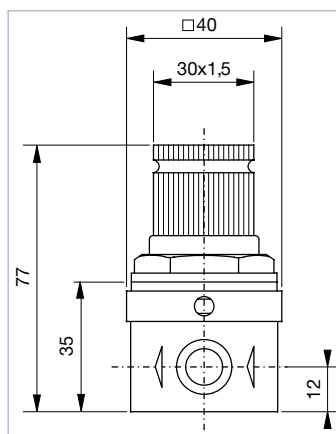
Spare parts	Article no.
Valve insert 1/2" and 3/4"	772210
Valve insert 1" and 1 1/4"	772211
Valve insert 1 1/2" and 2"	772212
Replacement filter 1/2" and 3/4"	772213
Replacement filter 1" and 1 1/4"	772214
Replacement filter 1 1/2" and 2"	772216
Tool for releasing	772217

2.5. Pressure regulator for water in plastic

Version IV

Note:

- Dimensions in mm
- Plastic body with threaded ports G 1/8 and G 1/4
- For manometer please see data sheet **Type TAU001** ▶
- The pressure regulator version IV has a pressure gauge connection of G 1/8 for measuring the output pressure.




Port connections threaded port	Operating pressure ¹⁾ [bar]	Article no.
G 1/8	0...4	783256
	0...8	783257
	0...12	783258
G 1/4	0...4	783259
	0...8	783260
	0...12	783261

Visit product website ▶


7 | 9

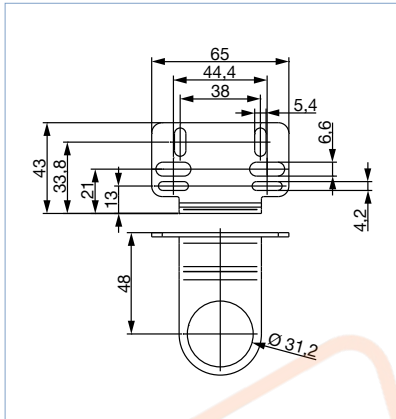
2.6. Control panel nut

Thread	Materials	Article no.
M30×1.5	POM	772065 

2.7. Mounting bracket for control panel mounting, steel galvanized

Note:

- Dimensions in mm
- For version IV: Article no. 772062 



บริษัท ฟลูเทค จำกัด
Flu-tech CO.,Ltd
Fluid Control Specialists