



Non-return flap for water

- Brass housing
- Metal seal



Product variants described in the data sheet may differ from the product presentation and description.

Type description

Non-return flap with metal seal for horizontal installation.
A pressure difference of 0.1 bar is required to open them.

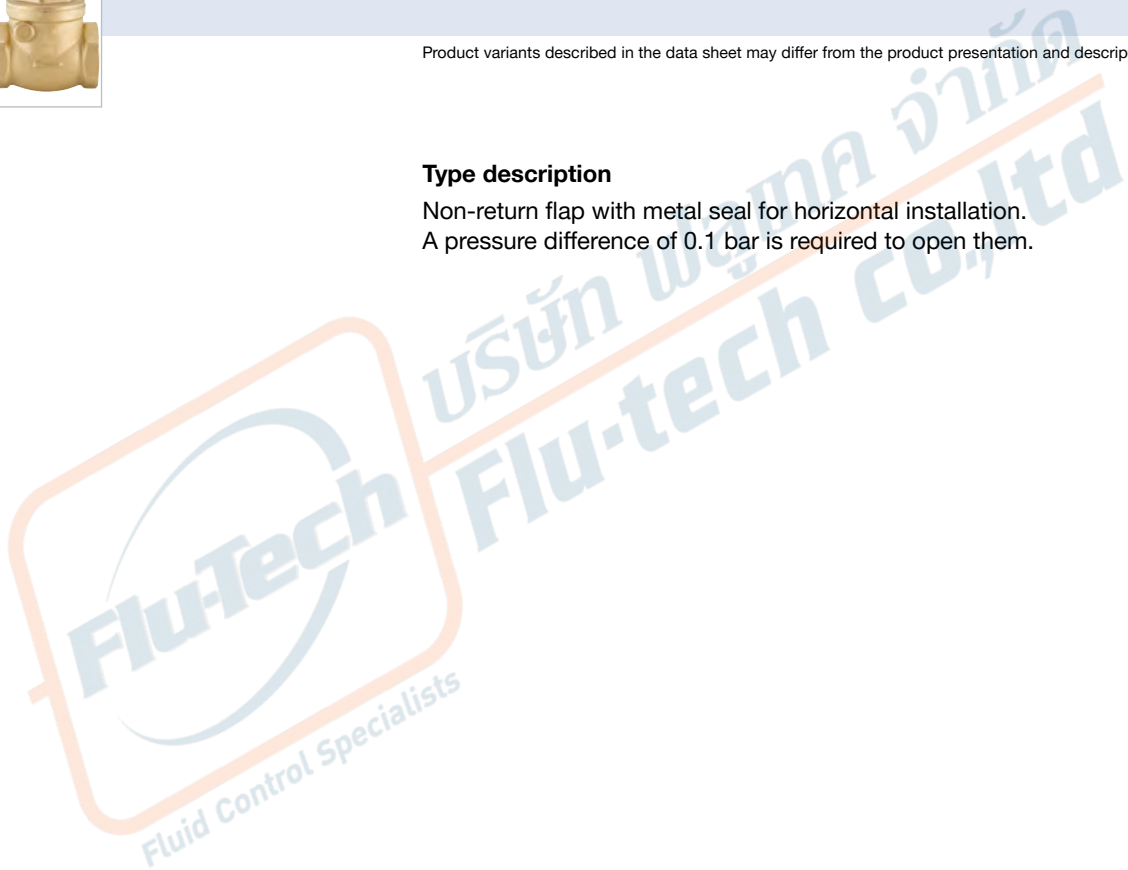
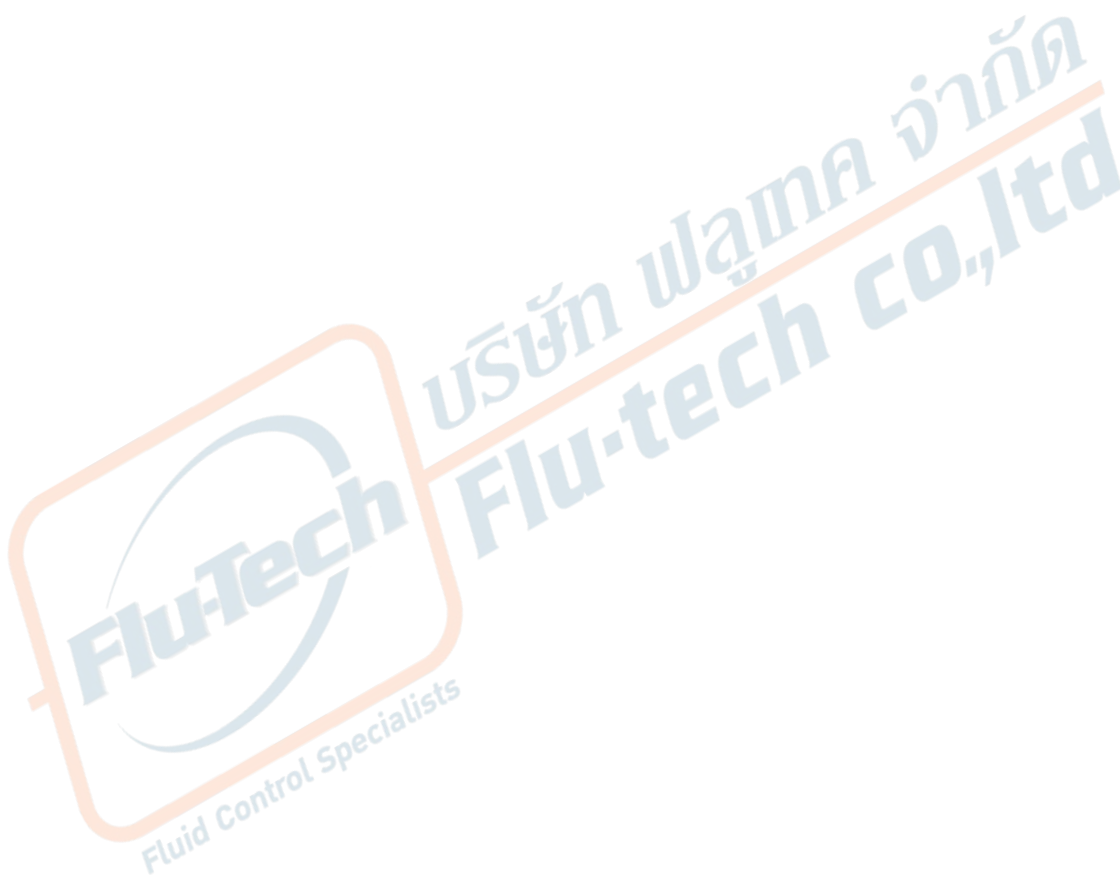


Table of contents

1. General technical data	3
2. Dimensions	3
2.1. Dimensions	3
3. Ordering information	3
3.1. Bürkert eShop – Easy ordering and quick delivery.....	3
3.2. Bürkert product filter.....	4
3.3. Ordering chart.....	4



1. General technical data

Product properties	
Abmessungen	Detailed information can be found in chapter "2. Dimensions" on page 3.
Materials	
Body	CW 617N
Disc	CW 617N
Seal	Metallisch dichtend
Orifice	DN15...50 mm
Performance data	
Pressure	Max. 10 bar ¹⁾ bei +20 °C
Opening pressure	Differenzdruck > 0,1 bar
Medium data	
Medium temperature	Max. + 110 °C
Environment and installation	
Installation position	Horizontal

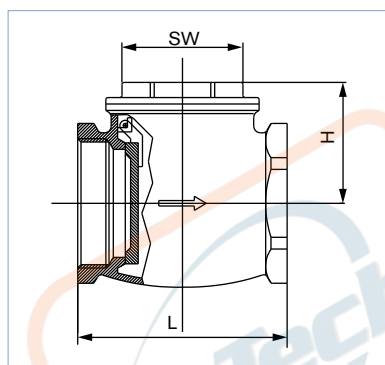
1.) Pressure values: Measured as overpressure with respect to the atmospheric pressure

2. Dimensions

2.1. Dimensions

Note:

Dimensions in mm



DN [mm]	Port connection	L [mm]	H [mm]	SW [mm]
15	R 1/2	47.0	32.0	20.0
20	R 3/4	53.0	34.0	26.5
25	R 1	64.0	40.0	26.0
32	R 1 1/4	74.0	47.0	34.5
40	R 1 1/2	87.0	54.0	39.5
50	R 2	97.0	57.0	49.5

3. Ordering information

3.1. Bürkert eShop – Easy ordering and quick delivery



Bürkert eShop – Easy ordering and fast delivery

You want to find your desired Bürkert product or spare part quickly and order directly? Our online shop is available for you 24/7. Sign up and enjoy all the benefits.

[Order online now](#)

Visit product website ►

3 | 5

3.2. Bürkert product filter



Bürkert product filter – Get quickly to the right product

You want to select products comfortably based on your technical requirements? Use the Bürkert product filter and find suitable articles for your application quickly and easily.

[Try out our product filter](#)

3.3. Ordering chart

Note:

Further versions on request

DN [mm]	Port connection	L [mm]	H [mm]	SW [mm]	Article no.
15	R ½	47.0	32.0	20.0	783458
20	R ¾	53.0	34.0	26.5	783459
25	R 1	64.0	40.0	26.0	783460
32	R 1 ¼	74.0	47.0	34.5	783461
40	R 1 ½	87.0	54.0	39.5	783462
50	R 2	97.0	57.0	49.5	783463