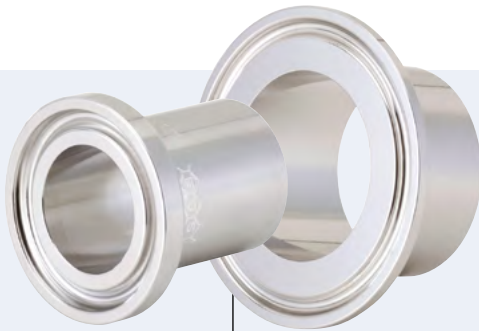


Clamp ferrules, clamps and gaskets - acc. DIN 32676



- According to standard norms and dimensions
- All medium contact materials traceable,
- Component of the BBS modular system

Type BBS-25 can be combined with...



Type 2103
Typ



Type 2034
Typ



Type 2100
Typ



Type 2300
Typ



Type 8098
Typ

The BBS-25 Clamp ferrules, gaskets and clamps are compatible with all standard market equipment.

For increased process security we recommend that you look at data sheets BBS-03 / BBS-05 / BBS-06.



Technical data

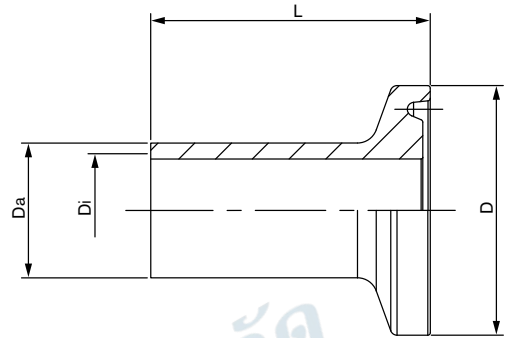
Available standard sizes	ISO DN08 to DN100 DIN DN08 to DIN100 BS-OD DN1/4" to DN4"
Material medium contact	Stainless steel 1.4435 BN2 (316L) Special materials on request
Material medium separated	1.4305 or equivalent
Seals	EPDM, FEP, special sealing materials on request
Surface quality	Medium contacted surface < Ra 0.8 µm, electro polished, finer surface on request
Ambient temperature	-20 to +80 °C
Media	Gases or liquids
Operating pressure	ISO DN08 to DN32 = 25 bar ISO DN40 to DN65 = 16 bar ISO DN80 to DN100 = 10 bar DIN DN08 to DN40 = 25 bar DIN DN50 to DN65 = 16 bar DIN DN80 to DN100 = 10 bar BS-OD DN1/4" to DN1½" = 25 bar BS-OD DN2" to DN3" = 16 bar BS-OD DN4" = 10 bar
Applicable standards	Acc. to DIN 32676 ISO dimensions series B DIN dimensions series A BS-OD dimensions series C (ASME BPE 2009)
Certifications	Material 3.1 FDA for all specified seal materials USP Class VI for EPDM, PTFE and FEP





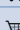
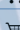

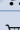
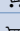
BBS-25
Clamp ferrule

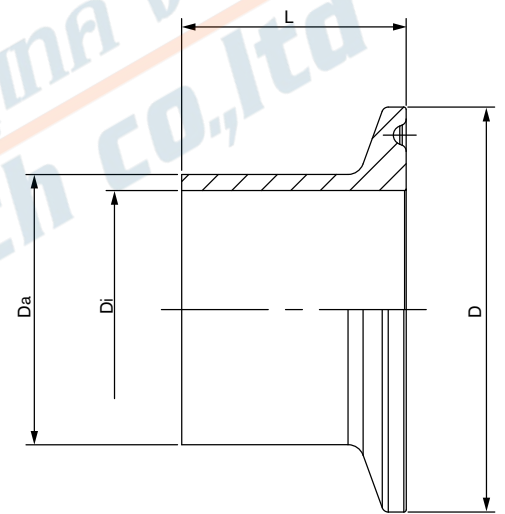
bürkert

Dimensions [mm] Clamp ferrule

Orifice	D [mm]	Da [mm]	Di [mm]	L [mm]	Article no.
ISO Dimensions Clamp ferrule (up to clamp diameter DM 25)					
DN08	25.00	13.50	10.30	28.60	736995 
DN10	25.00	17.20	14.00	28.60	737026 



Orifice	D [mm]	Da [mm]	Di [mm]	L [mm]	Article no.
ISO Dimensions Clamp ferrule (from clamp diameter DM 50.5)					
DN15	50.50	21.30	18.10	36.00	747721 
DN20	50.50	26.90	23.70	36.00	747722 
DN25	50.50	33.70	29.70	36.00	747723 
DN32	64.00	42.40	38.40	36.00	747724 
DN40	64.00	48.30	44.30	36.00	747725 
DN50	77.50	60.30	56.30	36.00	747726 
DN65	91.00	76.10	72.10	48.00	747727 
DN80	106.00	88.90	84.30	48.00	736906 
DN100	130.00	114.30	109.70	48.00	747728 



DTS 1000175512 EN Version: J Status: RL (released | freigegeben | validé) printed: 06.12.2021



บริษัท ฟลูเทค จำกัด
FLU-TECH CO.,LTD

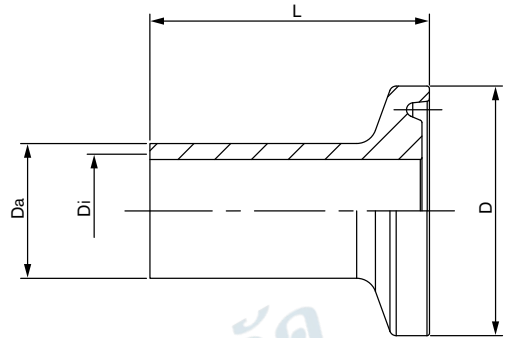
845/3-4 หมู่ 3 ถ.เทพารักษ์ ต.เทพารักษ์ อ.เมือง จ.สมุทรปราการ 10270
845/3-4 Thepharak RD., T.Thepharak, A.Muang, Samutprakarn 10270 THAILAND
Tel. 0 2384 6060, Fax 0 2384 5701, Email : sales@flutech.co.th, www.flutech.co.th

BBS-25
Clamp ferrule

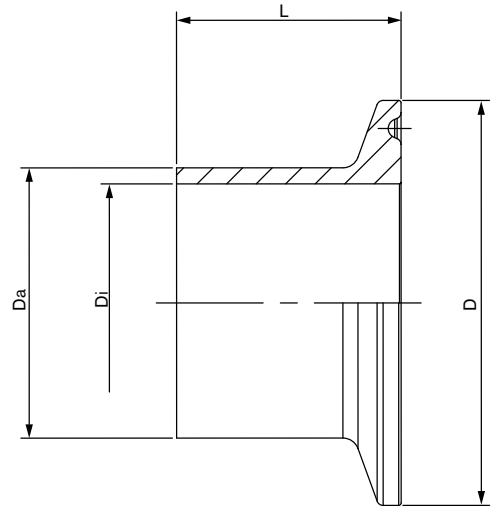
bürkert

Dimensions [mm] Clamp ferrule

Orifice	D [mm]	Da [mm]	Di [mm]	L [mm]	Article no.
DIN Dimensions Clamp ferrule (up to clamp diameter DM 25)					
DN08	25.00	10.00	8.00	28.60	736976 ๒
DN10	25.00	12.00	10.00	28.60	736983 ๒
DN10	25.00	13.00	10.00	28.60	743417 ๒
DN15	25.00	19.00	16.00	28.60	746017 ๒



Orifice	D [mm]	Da [mm]	Di [mm]	L [mm]	Article no.
DIN Dimensions Clamp ferrule (from clamp diameter DM 34)					
DN10	34.00	12.00	10.00	35.00	746016 ๒
DN15	50.50	19.00	16.00	36.00	742808 ๒
DN20	34.00	23.00	20.00	28.60	742982 ๒
DN20	50.50	23.00	20.00	36.00	737543 ๒
DN25	50.50	29.00	26.00	36.00	747729 ๒
DN32	50.50	35.00	32.00	36.00	747730 ๒
DN40	50.50	41.00	38.00	36.00	747237 ๒
DN50	64.00	53.00	50.00	36.00	747731 ๒
DN65	91.00	70.00	66.00	48.00	747844 ๒
DN80	106.00	85.00	81.00	48.00	747845 ๒
DN100	119.00	104.00	100.00	48.00	747846 ๒



DTS 1000175512 EN Version: J Status: RL (released | freigegeben | valide) printed: 06.12.2021

บริษัท ฟลูเทค จำกัด
Flu-tech CO.,Ltd

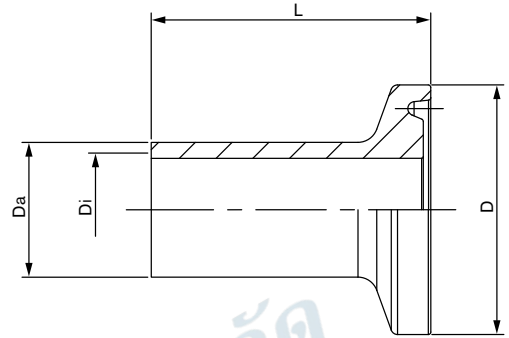


BBS-25
Clamp ferrule

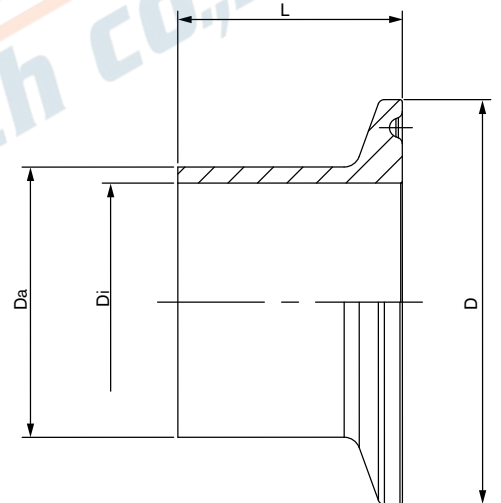
bürkert

Dimensions [mm] Clamp ferrule

Orifice	D [mm]	Da [mm]	Di [mm]	L [mm]	Article no.
BS-OD Dimensions Clamp ferrule (up to clamp diameter DM 25)					
DN1/4"	25.00	6.35	4.57	28.60	737234
DN3/8"	25.00	9.53	7.75	28.60	737238
DN1/2"	25.00	12.70	9.40	28.60	737258
DN3/4"	25.00	19.05	15.75	28.60	737292



Orifice	D [mm]	Da [mm]	Di [mm]	L [mm]	Article no.
BS-OD Dimensions Clamp ferrule (from clamp diameter DM 50.5)					
DN1"	50.50	25.40	22.10	36.00	737315
DN1½"	50.50	38.10	34.80	36.00	742943
DN2"	64.00	50.80	47.50	36.00	737379
DN2½"	77.50	63.50	60.20	36.00	737404
DN3"	91.00	76.20	72.90	48.00	747678
DN4"	119.00	101.60	97.40	48.00	737429



DTS 1000175512 EN Version: J Status: RL (released | freigegeben | validé) printed: 06.12.2021



บริษัท ฟลูเทค จำกัด
FLU-TECH CO.,LTD

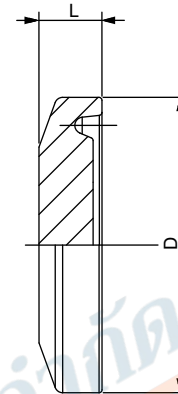
845/3-4 หมู่ 3 ถ.เทพารักษ์ ต.เทพารักษ์ อ.เมือง จ.สมุทรปราการ 10270
845/3-4 Thepharak RD., T.Thepharak, A.Muang, Samutprakarn 10270 THAILAND
Tel. 0 2384 6060, Fax 0 2384 5701, Email : sales@flutech.co.th, www.flutech.co.th

BBS-25
Clamp ferrule

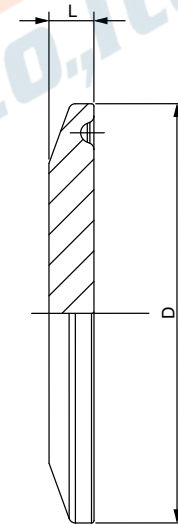
bürkert

Dimensions [mm] Clamp ferrule blind cover

Orifice	D [mm]	L [mm]	Article no.
ISO Dimensions Clamp ferrule blind cover (up to clamp diameter DM 25)			
DN08	25.00	4.75	738019
DN10	25.00	4.75	738019



Orifice	D [mm]	L [mm]	Article no.
ISO Dimensions Clamp ferrule (from clamp diameter DM 50.5)			
DN15	50.50	6.35	738052
DN20	50.50	6.35	738052
DN25	50.50	6.35	738052
DN32	64.00	6.35	738064
DN40	64.00	6.35	738064
DN50	77.50	6.35	738068
DN65	91.00	6.35	738072
DN80	106.00	6.35	738076
DN100	130.00	8.00	738027



DTS 1000175512 EN Version: J Status: RL (released | freigegeben | validé) printed: 06.12.2021

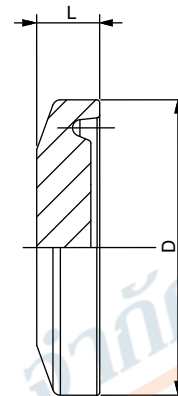


BBS-25
Clamp ferrule

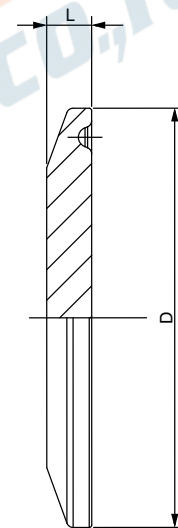
bürkert

Dimensions [mm] Clamp ferrule blind cover

Orifice	D [mm]	L [mm]	Article no.
DIN Dimensions Clamp ferrule blind cover (up to clamp diameter DM 25)			
DN08	25.00	4.75	738019 ฎ
DN10	25.00	4.75	738019 ฎ
DN15	25.00	4.75	738019 ฎ



Orifice	D [mm]	L [mm]	Article no.
DIN Dimensions Clamp ferrule (from clamp diameter DM 34)			
DN10	34.00	6.35	738023 ฎ
DN15	34.00	6.35	738023 ฎ
DN15	50.50	6.35	738052 ฎ
DN20	34.00	6.35	738023 ฎ
DN20	50.50	6.35	738052 ฎ
DN25	50.50	6.35	738052 ฎ
DN32	50.50	6.35	738052 ฎ
DN40	50.50	6.35	738052 ฎ
DN50	64.00	6.35	738064 ฎ
DN65	91.00	6.35	738072 ฎ
DN80	106.00	6.35	738076 ฎ
DN100	119.00	8.00	738104 ฎ



DTS 1000175512 EN Version: J Status: RL (released | freigegeben | validé) printed: 06.12.2021

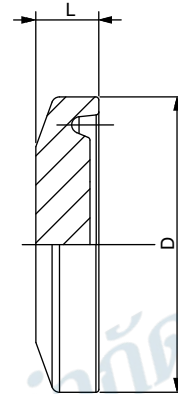


BBS-25
Clamp ferrule

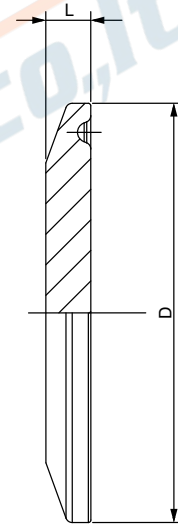
bürkert

Dimensions [mm] Clamp ferrule blind cover

Orifice	D [mm]	L [mm]	Article no.
BS-OD Dimensions Clamp ferrule blind cover (up to clamp diameter DM 25)			
DN1/4"	25.00	4.75	738019
DN3/8"	25.00	4.75	738019
DN1/2"	25.00	4.75	738019
DN3/4"	25.00	4.75	738019



Orifice	D [mm]	L [mm]	Article no.
BS-OD Dimensions Clamp ferrule (from clamp diameter DM 50.5)			
DN1"	50.50	6.35	738052
DN1½"	50.50	6.35	738052
DN2"	64.00	6.35	738064
DN2½"	77.50	6.35	738068
DN3"	91.00	6.35	738072
DN4"	119.00	8.00	738104



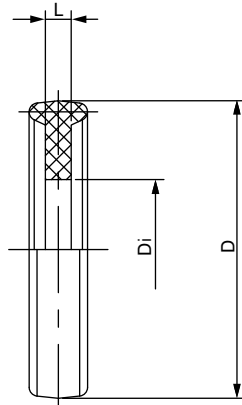
DTS 1000175512 EN Version: J Status: RL (released | freigegeben | valide) printed: 06.12.2021



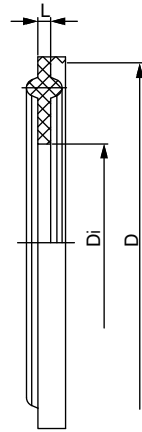
บริษัท ฟลูเทค จำกัด
FLU-TECH CO.,LTD

845/3-4 หมู่ 3 ถ.เทพารักษ์ ต.เทพารักษ์ อ.เมือง จ.สมุทรปราการ 10270
845/3-4 Thepharak RD., T.Thepharak, A.Muang, Samutprakarn 10270 THAILAND
Tel. 0 2384 6060, Fax 0 2384 5701, Email : sales@flutech.co.th, www.flutech.co.th

Dimensions [mm] Clamp gaskets



(up to clamp diameter DM 25)

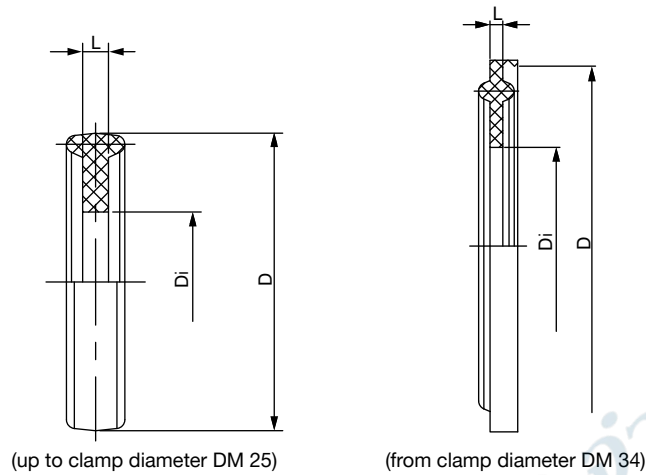


(from clamp diameter DM 34)

Orifice	D [mm]	Di [mm]	L (±0.2)	Article no. EPDM	Article no. PTFE
ISO Dimensions Clamp gaskets (up to clamp diameter DM 25)					
DN08	22.00	10.30	2.00	730049	730050
DN10	22.00	14.00	2.00	730069	730071
ISO Dimensions Clamp gaskets (from clamp diameter DM 34)					
DN08	34.00	10.30	2.00	747707	747709
DN08	50.50	10.30	2.00	730065	730067
DN10	34.00	14.00	2.00	730081	747708
DN10	50.50	14.00	2.00	730086	730088
DN15	34.00	18.10	2.00	730107	747710
DN15	50.50	18.10	2.00	730112	730114
DN20	50.50	23.70	2.00	730134	730136
DN25	50.50	29.70	2.00	730155	730157
DN32	64.00	38.40	2.00	730169	730171
DN40	64.00	44.30	2.00	730181	730183
DN50	77.50	56.30	2.00	730194	730196
DN65	91.00	72.10	2.00	730206	730208
DN80	106.00	84.30	2.00	730218	730220
DN100	130.00	84.30	2.00	730094	730096
DIN Dimensions Clamp gaskets (up to clamp diameter DM 25)					
DN08	22.00	8.00	2.00	730035	730036
DN10	22.00	10.00	2.00	730041	730042
DN15	22.00	10.00	2.00	744319	745964
DIN Dimensions Clamp gaskets (from clamp diameter DM 34)					
DN10	34.00	10.00	2.00	744295	744307
DN15	34.00	16.00	2.00	743978	743970
DN20	34.00	20.00	2.00	743964	747711
DN20	50.50	20.00	2.00	730472	730474
DN25	50.50	26.00	2.00	730505	730507
DN32	50.50	32.00	2.00	730556	730558
DN32	64.00	32.00	2.00	730564	730566
DN40	50.50	38.00	2.00	730581	730583
DN50	64.00	50.00	2.00	730614	730616
DN65	91.00	66.00	2.00	730663	730665
DN80	106.00	81.00	2.00	730686	730688
DN100	119.00	100.00	2.00	730397	730400

DTS 1000175512 EN Version: J Status: RL (released | freigegeben | valide) printed: 06.12.2021

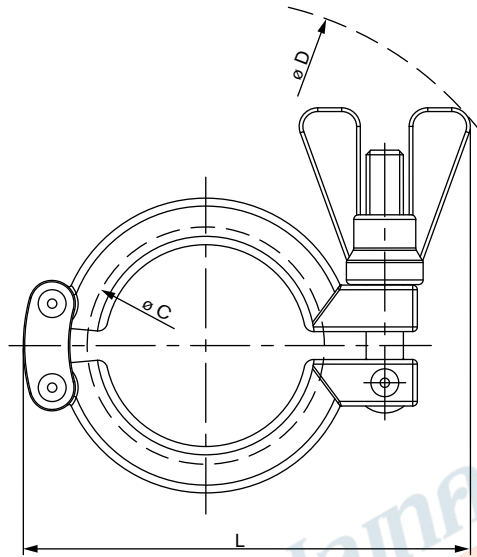
Dimensions [mm] Clamp gaskets



Orifice	D [mm]	Di [mm]	L (±0.2)	Article no. EPDM	Article no. PTFE
BS-OD Dimensions Clamp gaskets (up to clamp diameter DM 25)					
DN1/4"	22.00	4.57	2.00	730231	730233
DN3/8"	22.00	7.75	2.00	730239	730242
DN1/2"	22.00	9.40	2.00	730246	730248
DN3/4"	22.00	15.75	2.00	730256	730258
BS-OD Dimensions Clamp gaskets (from clamp diameter DM 50.5)					
DN1"	50.50	22.10	2.00	730264	730266
DN1½"	50.50	34.80	2.00	730277	730279
DN2"	64.00	47.50	2.00	730289	730291
DN2½"	77.50	60.20	2.00	730301	730303
DN3"	91.00	72.90	2.00	730311	730313
DN4"	119.00	97.40	2.00	730322	730324

DTS 1000175512 EN Version: J Status: RL (released | freigegeben | validé) printed: 06.12.2021

Dimensions [mm] Clamp



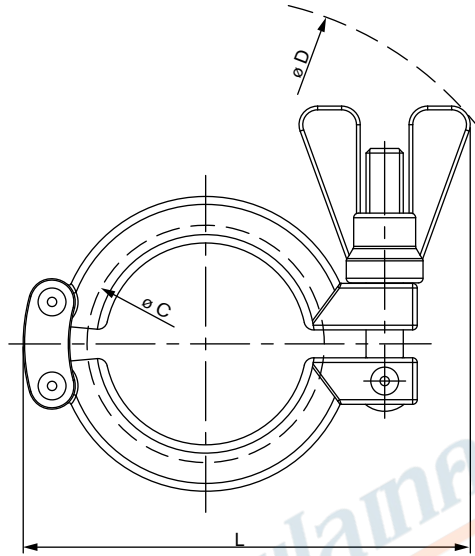
Orifice	C [mm]	D [mm]	L [mm]	Max. operating pressure [bar] to 150 °C	Article no.
ISO Dimensions Clamp					
DN08	25.00	130.00	64.00	50.00	731146 ๓
DN10	25.00	130.00	64.00	50.00	731146 ๓
DN15	50.50	154.00	93.00	50.00	731164 ๓
DN20	50.50	154.00	93.00	50.00	731164 ๓
DN25	50.50	154.00	93.00	50.00	731164 ๓
DN32	64.00	180.00	108.00	50.00	731172 ๓
DN40	64.00	180.00	108.00	50.00	731172 ๓
DN50	77.50	200.00	125.00	50.00	731174 ๓
DN65	91.00	105.00	139.00	40.00	731176 ๓
DN80	106.00	116.00	144.00	40.00	731178 ๓
DN100	130.00	240.00	173.00	30.00	731154 ๓

Orifice	C [mm]	D [mm]	L [mm]	Max. operating pressure [bar] to 150 °C	Article no.
DIN Dimensions Clamp					
DN08	25.00	130.00	64.00	50.00	731146 ๓
DN10	25.00	130.00	64.00	50.00	731146 ๓
DN10	34.00	130.00	68.00	50.00	731150 ๓
DN15	25.00	130.00	64.00	50.00	731146 ๓
DN15	34.00	130.00	68.00	50.00	731150 ๓
DN20	34.00	130.00	68.00	50.00	731150 ๓
DN20	50.50	154.00	93.00	50.00	731164 ๓
DN25	50.50	154.00	93.00	50.00	731164 ๓
DN32	50.50	154.00	93.00	50.00	731164 ๓
DN40	50.50	154.00	93.00	50.00	731164 ๓
DN50	64.00	180.00	108.00	50.00	731172 ๓
DN65	91.00	105.00	139.00	40.00	731176 ๓
DN80	106.00	116.00	144.00	40.00	731178 ๓
DN100	119.00	240.00	171.00	35.00	731144 ๓
DN80	106.00	116.00	144.00	40.00	731178 ๓
DN100	119.00	240.00	171.00	35.00	731144 ๓

DTS 1000175512 EN Version: J Status: RL (released | freigegeben | valide) printed: 06.12.2021



Dimensions [mm] Clamp



Orifice	C [mm]	D [mm]	L [mm]	Max. operating pressure [bar] to 150 °C	Article no.
BS-OD Dimensions Clamp					
DN1/4"	25.00	130.00	64.00	50.00	731146
DN3/8"	25.00	130.00	64.00	50.00	731146
DN1/2"	25.00	130.00	64.00	50.00	731146
DN3/4"	25.00	130.00	64.00	50.00	731146
DN1"	50.50	154.00	93.00	50.00	731164
DN1½"	50.50	154.00	93.00	50.00	731164
DN2"	64.00	180.00	108.00	50.00	731172
DN2½"	77.50	200.00	125.00	50.00	731174
DN3"	91.00	105.00	139.00	40.00	731176
DN4"	119.00	240.00	171.00	35.00	731144

DTS 1000175512 EN Version: J Status: RL (released | freigegeben | validé) printed: 06.12.2021