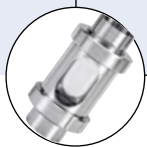




Safety ingold sockets Sterile version and Asepto sampling systems

- All medium contact materials traceable
- Component of the BBS modular system
- Safety version
- Guaranteed zero dead volume

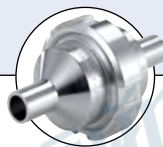
Hygienic Processing components...



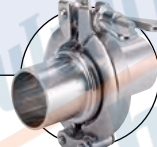
Type BBS-3F
 Flow indicator



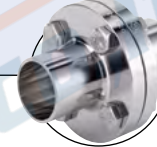
Type BBS-04
 Silicone hose



Type BBS-10
 Check valve



Type BBS-05
 Aseptic
 Clamp connection



Type BBS-06
 Sterile orbital flange



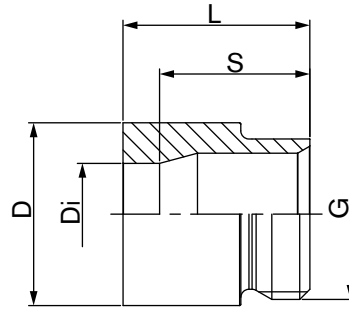
Type 2103
 Diaphragm valve

The BBS safety ingold sockets are designed so that upon release of the nut any possible existing pressure in the container can escape without the plug being disengaged. Thus providing safety for the operator. The sealing part is designed to guarantee that it is absolutely gap free. The standardization of safety ingold sockets allows the common use of various instruments and additionally the BBS- 11 range is available with sampling devices to suit your needs so please contact us to discuss how we can help further.

Technical data	
Available standard sizes	DN25 DN40
Material medium contact	Stainless steel 1.4435 BN2 (316L) Special materials on request
Material medium separated	1.4305 or equivalent
Diaphragm material	Silicone
Seals	O-Ring, EPDM, PTFE, special sealing materials on request
Surface quality	Medium contacted surface < Ra 0.8µm, electro polished, finer surface on request
Operating temperature	EPDM seal material: - 40 to 90 °C, temporary to 140 °C FEP ¹⁾ Seal material: - 60 °C to 160 °C, (depending on the operating pressure) temporary to 205 °C
Ambient temperature	- 20 to + 80 °C
Media	Gases or liquids
Operating pressure	- 1 to + 16 bar (depending on temperature)
Certifications	FDA specified for all sealling materials USP Class VI for EPDM, PTFE and FEP

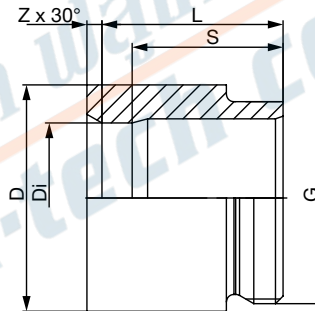
Dimensions [mm]

Safety ingold sockets, straight



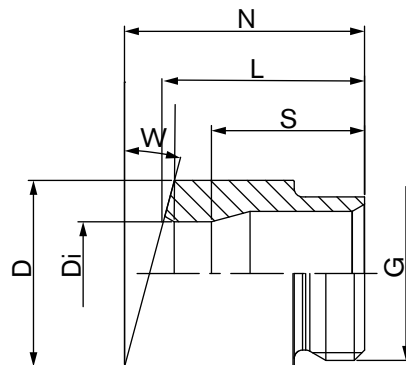
Orifice	D [mm]	Di (H7) [mm]	L [mm]	S [mm]	G [mm]	Article no.
Dimensions Safety ingold sockets, straight						
DN25	45.00	25.00	46.00	37.00	G 1¼	737214 ☒
DN40	60.00	40.00	48.00	40.00	M56 × 2	748929 ☒

Safety ingold sockets, straight, with chamfer



Orifice	D [mm]	Di (H7) [mm]	L [mm]	S [mm]	G [mm]	Z [mm]	Article no.
Dimensions Safety ingold sockets, straight, with chamfer							
DN25	45.00	25.00	46.00	37.00	G 1¼	2.00	737237 ☒
DN40	60.00	40.00	48.00	40.00	M56 × 2	4.00	748928 ☒

Safety ingold sockets angular 15°

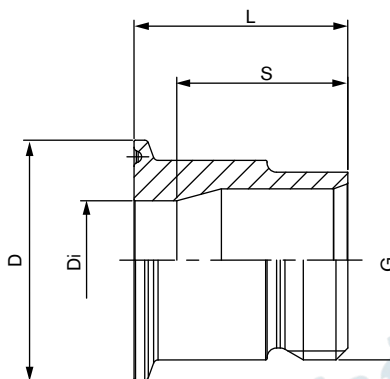


Orifice	D [mm]	Di (H7) [mm]	N [mm]	L [mm]	S [mm]	G [mm]	W [°]	Article no.
Dimensions Safety ingold sockets angular 15°								
DN25	45.00	25.00	55.40	46.00	37.00	G 1¼	15.00	737260 ☒
DN40	60.00	40.00	64.00	48.00	37.00	M56 × 2	15.00	747987 ☒

DTS 1000174939 EN Version: H Status: RL (released | freigegeben | valide) printed: 05.02.2020

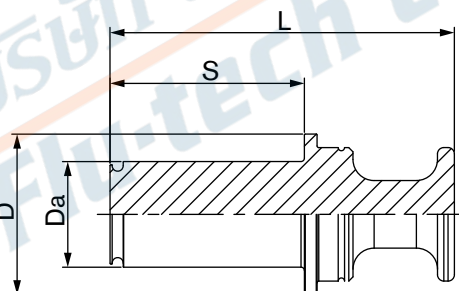
Dimensions [mm]

Safety ingold socket with Clamp



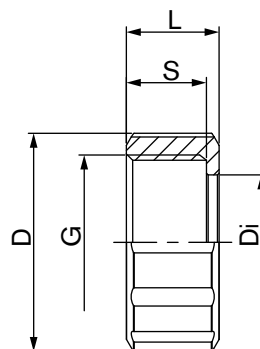
Orifice	D [mm]	Di (H7) [mm]	L [mm]	S [mm]	G [mm]	Article no.
Dimensions Safety ingold socket with Clamp						
DN25	50.50	25.00	46.00	37.00	G 1¼	743777
DN40	64.00	40.00	48.00	40.00	M56 x 2	on request

Safety ingold plug



Orifice	D [mm]	Da (e8) [mm]	L [mm]	S [mm]	Article no.
Dimensions Safety ingold plug					
DN25	38.00	25.00	81.50	46.00	743071
DN40	50.00	40.00	82.00	48.00	747988

Ingold nut



Orifice	D [mm]	Di [mm]	L [mm]	S [mm]	G [mm]	Article no.
Dimensions Ingold nut						
DN25	52.00	32.00	22.00	19.00	G 1¼	737017
DN40	69.00	44.00	22.00	19.00	M56 x 2	737037

DTS 1000174939 EN Version: H Status: RL (released | freigegeben | valide) printed: 05.02.2020

Dimensions [mm]

O-Rings for Ingold plug

Orifice	Article no. EPDM		Article no. FEP
O-Rings for Ingold plug			
DN25	BBS-02-01.Z25.ING.EP.0	731443	731445
DN40	BBS-02-01.Z40.ING.EP.0	731155	on request
Orifice	Article no. Silicone		Article no. FKM
O-Rings for Ingold plug			
DN25	BBS-02-01.Z25.ING.SI.1	731449	on request
DN40	BBS-02-01.Z40.ING.SI.1	on request	on request

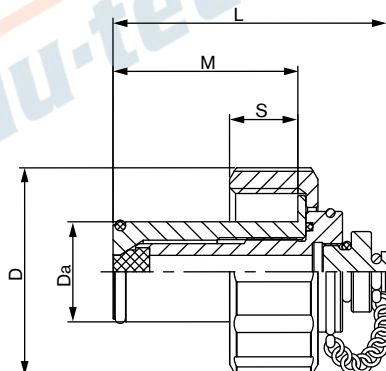


Safety ring

Orifice	Article no.
Safety rings for Ingold plugs	
DN25	738495
DN40	731885



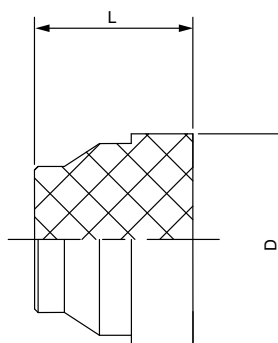
Aseptic sampling system for ingold socket



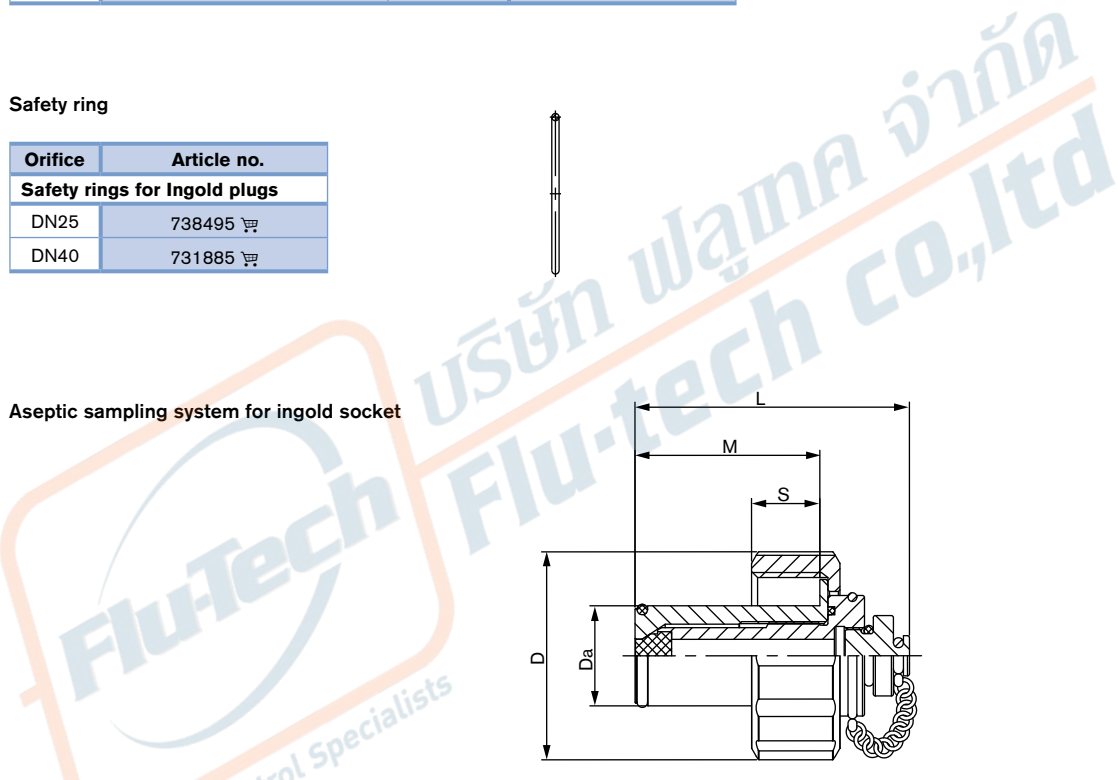
Orifice	D [mm]	Da (e8) [mm]	L [mm]	M [mm]	S [mm]	Article no.
Dimensions Aseptic sampling system for ingold socket						
DN25	52.00	25.00	68.00	46.00	17.00	743320
DN40	69.00	40.00	-	-	-	on request

Replacement diaphragm

Orifice	D [mm]	L [mm]	Article no. Silicone
Dimensions replacement diaphragm			
DN25	12.00	8.50	731617
DN40	12.00	8.50	731617

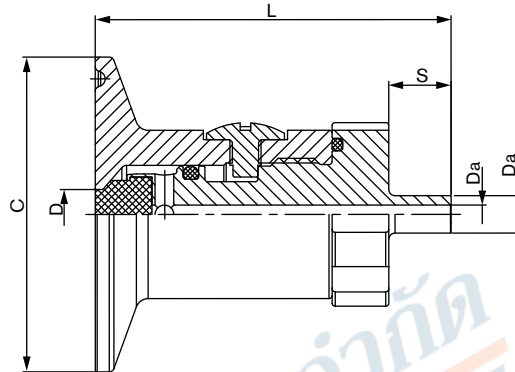


DTS 1000174939 EN Version: H Status: RL (released | freigegeben | valide) printed: 05.02.2020



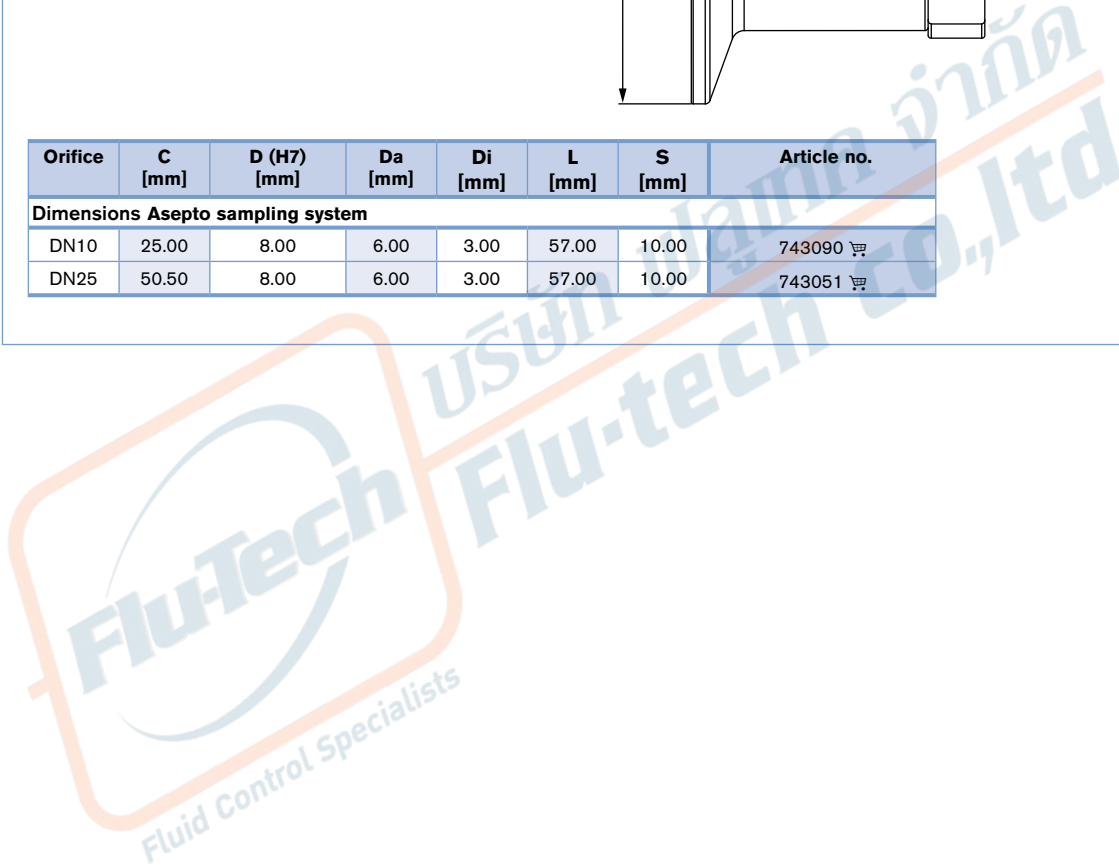
Dimensions [mm]

Asepto sampling system with Clamp connection



Orifice	C [mm]	D (H7) [mm]	Da [mm]	Di [mm]	L [mm]	S [mm]	Article no.
Dimensions Asepto sampling system							
DN10	25.00	8.00	6.00	3.00	57.00	10.00	743090 ฐ
DN25	50.50	8.00	6.00	3.00	57.00	10.00	743051 ฐ

DTS 1000174939 EN Version: H Status: RL (released | freigegeben | validé) printed: 05.02.2020



Specification key (other versions on request)

Example BBS-11 - IH - 00 - 25.0 - 00 - VI - 0000 - 000 - IAB - PA - NK52 NO10

Specification key BBS-11 - [] - [] - [] - [] - [] - 0000 - 000 - [] - [] - []

Delivery (LIUM)	
IA	Ingold socket with sterile plug and safety ring complete
IB	Ingold socket with unsterile plug and safety ring complete
IC	Ingold socket with sterile plug without safety ring complete
ID	Ingold socket with unsterile plug without safety ring complete
IE	Aseptic sampling system complete (without socket)
IF	Aseptic sampling system complete (with socket)
IG	Aseptic sampling system with clamp complete
IH	Aseptic flow sampling system with clamp complete
II	Safety Ingold socket
IJ	Safety Ingold plug
IK	Ingold adapter for pH-sensor
IL	Ingold socket with adapter for pH-sensor complete
IM	Ingold socket straight internal contour
IN	Holder for diaphragm

Connection Type (VRBT)	
CG	Clamp connection referring to DIN32676
DA	Weld connection Ingold, Ø 45
DB	Weld connection Ingold, Ø 60

Orifice (DN)
25.0
40.0

Seal Material (DWST)	
AB	EPDM

Material (WKST)	
VI	1.4435 acc. to BN2 and 316L acc. to ASME BPE table DT3

Internal polishing	
NO10	int. electro polished (Standard) Ra = 0.8 µm
Certificate	
NK52	3.1 Certificate (Standard)

Characteristic function of size (KGFT)	
SA	Safety Ingold socket straight
SB	Safety Ingold socket straight with chamfer
SC	Safety Ingold socket angular 15°
SD	Safety Ingold socket straight with Clamp
SE	Ingold socket straight (without safety contour)
SF	Safety Ingold socket angular 45°
PA	Sterile plug with safety ring
PB	Sterile plug without safety ring
PC	Unsterile plug with safety ring
PD	Unsterile plug without safety ring

Size "functional part" (BGFT)	
IAA	Ingold size D=25, plug length L=30
IAB	Ingold size D=25, plug length L=40
IAC	Ingold size D=25, plug length L=46
IAD	Ingold size D=25, plug length L=53
IAE	Ingold size D=25, plug length L=56
IAF	Ingold size D=25, plug length L=48
IAG	Ingold size D=25, plug length L=37
IAH	Ingold size D=25, plug length L=50
IAI	Ingold size D=25, plug length L=45
IAJ	Ingold size D=25, plug length L=36
IBA	Ingold size D=40, plug length L=48
IBB	Ingold size D=40, plug length L=52
ICA	Sampling system size 1

DTS 1000174939 EN Version: H Status: RL (released | freigegeben | valide) printed: 05.02.2020

