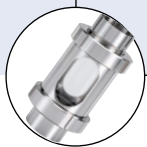


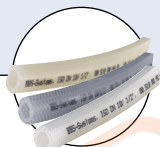
Sterile orbital flange



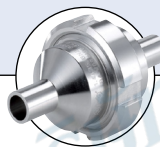
Hygienic Processing Components.....



Type BBS-3F
Flow indicator



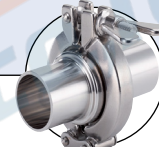
Type BBS-04
Silicone Hose



Type BBS-10
Check valve



Type BBS-03
Sterile threaded
connection



Type BBS-05
Clamping connection



Type 2103
Diaphragm valve

- Optimized design in accordance with the recommendations of the ASME BPE guidelines
- Guaranteed crevice free
- All medium contact materials traceable, traceable seal available on request
- Component of the BBS modular system

The BBS Sterile orbital flange is a gap-free connection that has been specially designed for sterile applications. It is practical and available in all sizes, configurations and standards, so you can optimize the conditions in your process, while ensuring the safety of the outside according to different requirements.

These flange connections have a smaller outer diameter and are very compact.

The structure comprises of an O-Ring in a standard dimension allowing flexibility in the choice of materials.

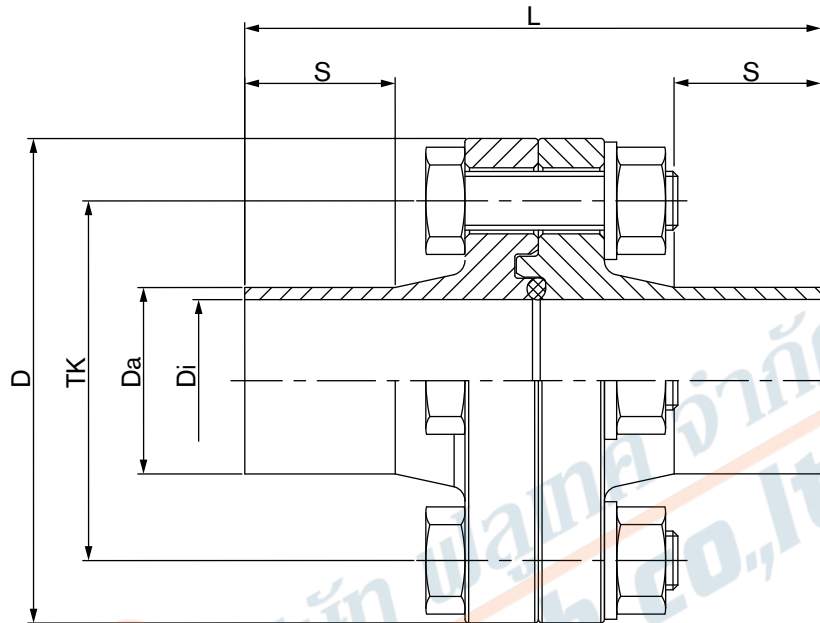
Applications

- Biotechnology
- Pharmaceutical
- Chemical industry
- Dairy
- Food
- Cosmetic

Technical data

Available standard sizes	ISO DN08 to DN125 BS-OD DN1/2" to DN4" DIN DN10 to DN100 Customized on request
Material medium contact	Stainless steel 1.4435 BN2 (316L) Special materials e.g. Hastelloy 2.4602, Titanium, 1.4539 etc. on request
Material medium separated	1.4305 or equivalent
Seals	O-Ring, EPDM, FEP, PTFE, special sealing materials e.g. Silicone, pure PTFE etc. on request
Surface quality	Medium contacted surface < Ra 0.8µm, electro polished, finer surface on request
Operating temperature	Seal material EPDM: -40 to 90 °C, temporary to 140 °C Seal material FEP: -60 to 160 °C, temporary to 205 °C
Ambient temperature	-20 to +80 °C
Media	Gases or liquids
Operating pressure	-1 to +16 bar
Applicable Standards	Pipe connection acc. to DIN 11866 ISO-Dimensions Series B (ISO 4200) BS-OD-Dimension Series C (ASME BPE) DIN-Dimension Series A (DIN 11850)
Certifications	Material 3.1, FDA, USP VI

Dimension [mm] Sterile orbital flange

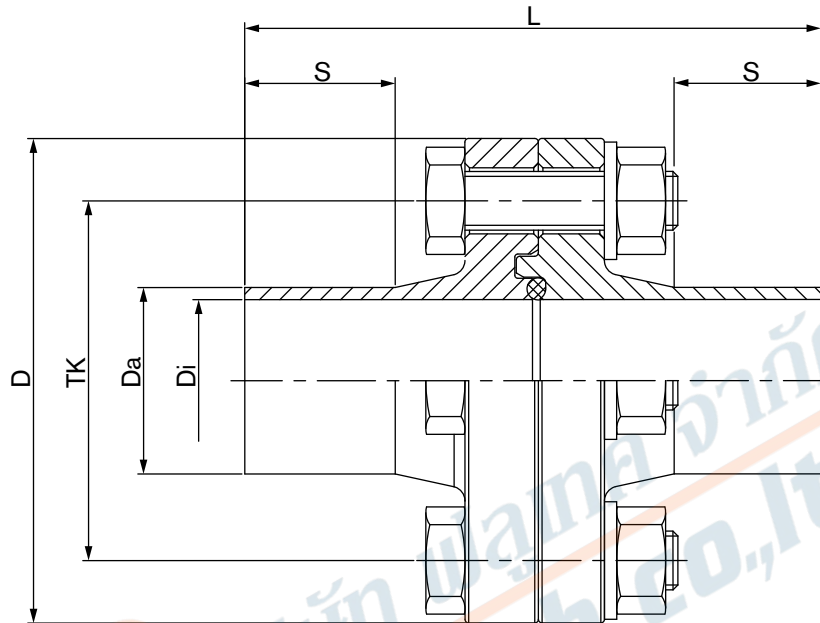


Orifice	D [mm]	TK [mm]	Da [mm]	Di [mm]	L [mm]	S [mm]	Article no. EPDM	
ISO Dimensions Sterile orbital flange								
DN08	54.00	37.00	13.50	10.30	78.00	20.00	BBS-06-AD.Z08.Z00.35.0	732450
DN10	59.00	42.00	17.20	14.00	78.00	20.00	BBS-06-AD.Z10.Z00.35.0	732454
DN15	62.00	45.00	21.30	18.10	78.00	20.00	BBS-06-AD.Z15.Z00.35.0	732463
DN20	69.00	52.00	26.90	23.70	78.00	20.00	BBS-06-AD.Z20.Z00.35.0	732467
DN25	74.00	57.00	33.70	29.70	88.00	25.00	BBS-06-AD.Z25.Z00.35.0	732473
DN32	82.00	65.00	42.40	38.40	88.00	25.00	BBS-06-AD.Z32.Z00.35.0	732481
DN40	88.00	71.00	48.30	44.30	88.00	25.00	BBS-06-AD.Z40.Z00.35.0	732491
DN50	103.00	85.00	60.30	56.30	88.00	25.00	BBS-06-AD.Z50.Z00.35.0	732499
DN65	125.00	104.00	76.10	72.10	95.00	26.00	BBS-06-AD.Z65.Z00.35.0	732503
DN80	137.00	116.00	88.90	84.30	112.00	30.00	BBS-06-AD.Z80.Z00.35.0	732509
DN100	168.00	146.00	114.30	109.70	115.00	30.00	BBS-06-AD.Z100.Z00.35.0	732457
DN125	194.00	172.00	139.70	134.50	115.00	30.00	BBS-06-AD.Z125.Z00.35.0	732462

Orifice	D [mm]	TK [mm]	Da [mm]	Di [mm]	L [mm]	S [mm]	Article no. FEP	
ISO Dimensions Sterile orbital flange								
DN08	54.00	37.00	13.50	10.30	78.00	20.00	BBS-06-AD.Z08.Z00.35.3	732452
DN10	59.00	42.00	17.20	14.00	78.00	20.00	BBS-06-AD.Z10.Z00.35.3	732455
DN15	62.00	45.00	21.30	18.10	78.00	20.00	BBS-06-AD.Z15.Z00.35.3	732465
DN20	69.00	52.00	26.90	23.70	78.00	20.00	BBS-06-AD.Z20.Z00.35.3	732469
DN25	74.00	57.00	33.70	29.70	88.00	25.00	BBS-06-AD.Z25.Z00.35.3	732475
DN32	82.00	65.00	42.40	38.40	88.00	25.00	BBS-06-AD.Z32.Z00.35.3	732483
DN40	88.00	71.00	48.30	44.30	88.00	25.00	BBS-06-AD.Z40.Z00.35.3	732493
DN50	103.00	85.00	60.30	56.30	88.00	25.00	BBS-06-AD.Z50.Z00.35.3	732501
DN65	125.00	104.00	76.10	72.10	95.00	26.00	BBS-06-AD.Z65.Z00.35.3	732505
DN80	137.00	116.00	88.90	84.30	112.00	30.00	BBS-06-AD.Z80.Z00.35.3	732511
DN100	168.00	146.00	114.30	109.70	115.00	30.00	BBS-06-AD.Z100.Z00.35.3	732459
DN125	194.00	172.00	139.70	134.50	115.00	30.00	BBS-06-AD.Z125.Z00.35.3	on request

DTS 1000148955 EN Version: J Status: RL (released | freigegeben | validé) printed: 05.02.2020

Dimension [mm] Sterile orbital flange

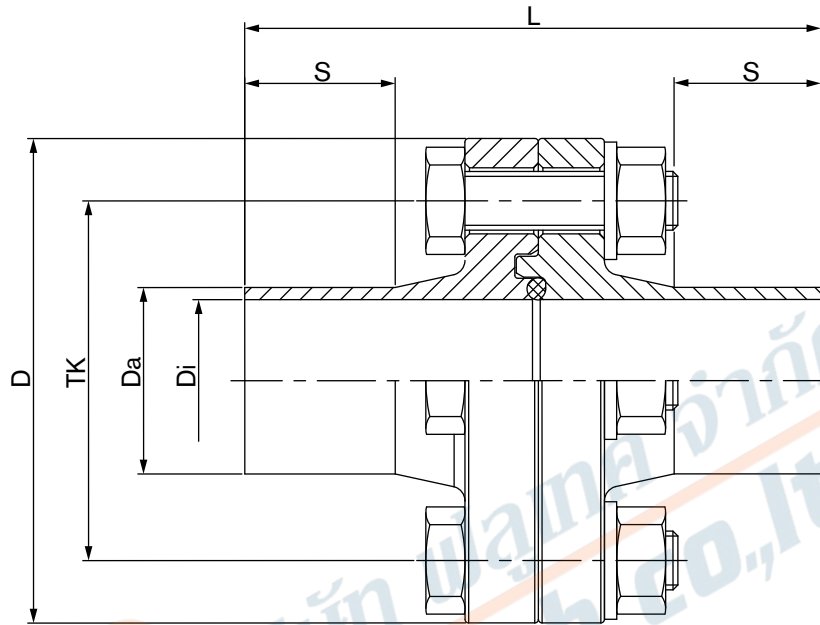


Orifice	D [mm]	TK [mm]	Da [mm]	Di [mm]	L [mm]	S [mm]	Article no. EPDM	
BS-OD Dimensions Sterile orbital flange								
DN1/2"	54.00	37.00	12.70	9.40	78.00	20.00	BBS-06-AD.M05.M00.35.0	732416
DN3/4"	59.00	42.00	19.05	15.75	78.00	20.00	BBS-06-AD.M07.M00.35.0	732420
DN1"	66.00	49.00	25.40	22.10	78.50	20.00	BBS-06-AD.M10.M00.35.0	732424
DN1 1/2"	79.00	62.00	38.10	34.80	88.00	25.00	BBS-06-AD.M15.M00.35.0	732428
DN2"	92.00	75.00	50.80	47.50	88.00	25.00	BBS-06-AD.M20.M00.35.0	732432
DN2 1/2"	107.00	89.00	63.50	60.20	88.00	25.00	BBS-06-AD.M25.M00.35.0	732436
DN3"	125.00	104.00	76.20	72.90	95.00	26.00	BBS-06-AD.M30.M00.35.0	732440
DN4"	157.00	135.00	101.60	97.38	146.00	35.00	BBS-06-AD.M40.M00.35.0	732444

Orifice	D [mm]	TK [mm]	Da [mm]	Di [mm]	L [mm]	S [mm]	Article no. FEP	
BS-OD Dimensions Sterile orbital flange								
DN1/2"	54.00	37.00	12.70	9.40	78.00	20.00	BBS-06-AD.M05.M00.35.3	732418
DN3/4"	59.00	42.00	19.05	15.75	78.00	20.00	BBS-06-AD.M07.M00.35.3	732422
DN1"	66.00	49.00	25.40	22.10	78.50	20.00	BBS-06-AD.M10.M00.35.3	732426
DN1 1/2"	79.00	62.00	38.10	34.80	88.00	25.00	BBS-06-AD.M15.M00.35.3	732430
DN2"	92.00	75.00	50.80	47.50	88.00	25.00	BBS-06-AD.M20.M00.35.3	732434
DN2 1/2"	107.00	89.00	63.50	60.20	88.00	25.00	BBS-06-AD.M25.M00.35.3	732438
DN3"	125.00	104.00	76.20	72.90	95.00	26.00	BBS-06-AD.M30.M00.35.3	732442
DN4"	157.00	135.00	101.60	97.38	146.00	35.00	BBS-06-AD.M40.M00.35.3	732446

DTS 1000148955 EN Version: J Status: RL (released | freigegeben | validé) printed: 05.02.2020

Dimension [mm] Sterile orbital flange

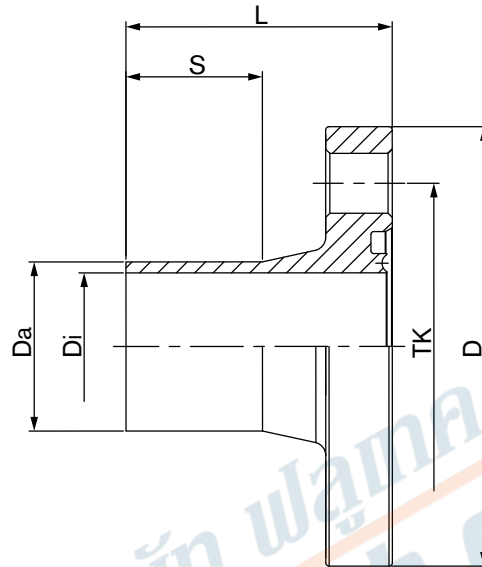


Orifice	D [mm]	TK [mm]	Da [mm]	Di [mm]	L [mm]	S [mm]	Article no. EPDM
DIN Dimensions Sterile orbital flange							
DN10	54.00	37.00	12.00	10.00	78.50	20.00	BBS-06-AD.F10.F00.35.0 732394
DN10	54.00	37.00	13.00	10.00	78.50	20.00	BBS-06-AD.F10.F00.35.0-1 on request
DN15	59.00	45.00	19.00	16.00	78.50	20.00	BBS-06-AD.F15.F00.35.0 732398
DN20	59.00	45.00	23.00	20.00	78.50	20.00	BBS-06-AD.F20.F00.35.0 732400
DN25	70.00	53.00	29.00	26.00	78.50	20.00	BBS-06-AD.F25.F00.35.0 732402
DN32	82.00	65.00	35.00	32.00	88.00	25.00	BBS-06-AD.F32.F00.35.0 732404
DN40	82.00	65.00	41.00	38.00	88.00	25.00	BBS-06-AD.F40.F00.35.0 732406
DN50	94.00	77.00	53.00	50.00	88.00	25.00	BBS-06-AD.F50.F00.35.0 732408
DN65	113.00	95.00	70.00	66.00	88.50	25.00	BBS-06-AD.F65.F00.35.0 732410
DN80	133.00	112.00	85.00	81.00	112.00	30.00	BBS-06-AD.F80.F00.35.0 732412
DN100	159.00	137.00	104.00	100.00	114.50	35.00	BBS-06-AD.F100.F00.35.0 732396

Orifice	D [mm]	TK [mm]	Da [mm]	Di [mm]	L [mm]	S [mm]	Article no. FEP
DIN Dimensions Sterile orbital flange							
DN10	54.00	37.00	12.00	10.00	78.50	20.00	BBS-06-AD.F10.F00.35.3 on request
DN10	54.00	37.00	13.00	10.00	78.50	20.00	BBS-06-AD.F10.F00.35.3-1 on request
DN15	59.00	45.00	19.00	16.00	78.50	20.00	BBS-06-AD.F15.F00.35.3 on request
DN20	59.00	45.00	23.00	20.00	78.50	20.00	BBS-06-AD.F20.F00.35.3 on request
DN25	70.00	53.00	29.00	26.00	78.50	20.00	BBS-06-AD.F25.F00.35.3 on request
DN32	82.00	65.00	35.00	32.00	88.00	25.00	BBS-06-AD.F32.F00.35.3 on request
DN40	82.00	65.00	41.00	38.00	88.00	25.00	BBS-06-AD.F40.F00.35.3 on request
DN50	94.00	77.00	53.00	50.00	88.00	25.00	BBS-06-AD.F50.F00.35.3 on request
DN65	113.00	95.00	70.00	66.00	88.50	25.00	BBS-06-AD.F65.F00.35.3 on request
DN80	133.00	112.00	85.00	81.00	112.00	30.00	BBS-06-AD.F80.F00.35.3 732414
DN100	159.00	137.00	104.00	100.00	114.50	35.00	BBS-06-AD.F100.F00.35.3 on request

DTS 1000148955 EN Version: J Status: RL (released | freigegeben | validé) printed: 05.02.2020

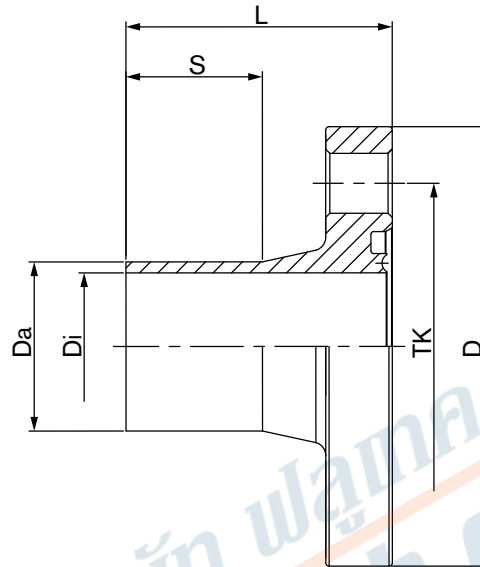
Dimension [mm] Female flange



Orifice	D [mm]	Da [mm]	Di [mm]	L [mm]	S [mm]	TK [mm]	Article no.	
ISO Dimensions Female flange								
DN08	54.00	13.50	10.30	40.00	20.00	37.00	BBS-06-B3.Z08.Z00.35.0	732746
DN10	59.00	17.20	14.00	39.50	20.00	42.00	BBS-06-B3.Z10.Z00.35.0	732748
DN15	62.00	21.30	18.10	39.50	20.00	45.00	BBS-06-B3.Z15.Z00.35.0	732756
DN20	69.00	26.90	23.70	39.50	20.00	52.00	BBS-06-B3.Z20.Z00.35.0	732760
DN25	74.00	33.70	29.70	44.50	25.00	57.00	BBS-06-B3.Z25.Z00.35.0	732762
DN32	82.00	42.40	38.40	44.50	25.00	65.00	BBS-06-B3.Z32.Z00.35.0	732766
DN40	88.00	48.30	44.30	44.50	25.00	71.00	BBS-06-B3.Z40.Z00.35.0	732772
DN50	103.00	60.30	56.30	44.50	25.00	85.00	BBS-06-B3.Z50.Z00.35.0	732776
DN65	125.00	76.10	72.10	48.00	26.00	104.00	BBS-06-B3.Z65.Z00.35.0	732780
DN80	137.00	88.90	84.30	56.00	30.00	116.00	BBS-06-B3.Z80.Z00.35.0	732782
DN100	168.00	114.30	109.70	58.00	30.00	146.00	BBS-06-B3.Z100.Z00.35.0	732752
DN125	194.00	139.70	134.50	60.00	30.00	172.00	BBS-06-B3.Z125.Z00.35.0	732754

DTS 1000148955 EN Version: J Status: RL (released | freigegeben | validé) printed: 05.02.2020

Dimension [mm] Female flange



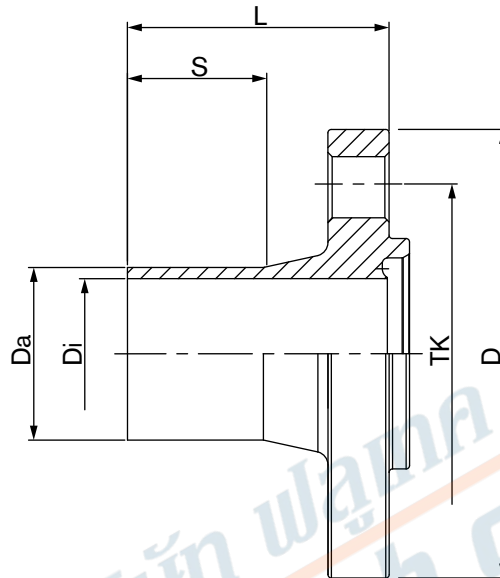
Orifice	D [mm]	Da [mm]	Di [mm]	L [mm]	S [mm]	TK [mm]	Article no.	
BS-OD Dimensions Female flange								
DN1/2"	54.00	12.70	9.40	40.00	20.00	37.00	BBS-06-B0.M05.M00.35.0	732560
DN3/4"	59.00	19.05	15.75	39.50	20.00	42.00	BBS-06-B0.M07.M00.35.0	732564
DN1"	66.00	25.40	22.10	40.00	20.00	49.00	BBS-06-B0.M10.M00.35.0	732574
DN1 1/2"	79.00	38.10	34.80	44.50	25.00	62.00	BBS-06-B0.M15.M00.35.0	732580
DN2"	92.00	50.80	47.50	44.50	25.00	75.00	BBS-06-B0.M20.M00.35.0	732586
DN2 1/2"	107.00	63.50	60.20	44.50	25.00	89.00	BBS-06-B0.M25.M00.35.0	732592
DN3"	125.00	76.20	72.90	48.00	25.00	104.00	BBS-06-B0.M30.M00.35.0	732598
DN4"	157.00	101.60	97.38	74.00	35.00	135.00	BBS-06-B0.M40.M00.35.0	732606

Orifice	D [mm]	Da [mm]	Di [mm]	L [mm]	S [mm]	TK [mm]	Article no.	
DIN Dimensions Female flange								
DN10	54.00	12.00	10.00	40.00	20.00	37.00	BBS-06-B3.F10.F00.35.0	732726
DN10	54.00	13.00	10.00	40.00	20.00	37.00	BBS-06-B3.F10.F00.35.0 - 1	on request
DN15	59.00	19.00	16.00	40.00	20.00	45.00	BBS-06-B3.F15.F00.35.0	732730
DN20	59.00	23.00	20.00	40.00	20.00	45.00	BBS-06-B3.F20.F00.35.0	732732
DN25	70.00	29.00	26.00	40.00	20.00	53.00	BBS-06-B3.F25.F00.35.0	732734
DN32	82.00	35.00	32.00	44.50	25.00	65.00	BBS-06-B3.F32.F00.35.0	732736
DN40	82.00	41.00	32.00	44.50	25.00	65.00	BBS-06-B3.F40.F00.35.0	732738
DN50	94.00	53.00	50.00	44.50	25.00	77.00	BBS-06-B3.F50.F00.35.0	732740
DN65	113.00	70.00	66.00	45.00	25.00	95.00	BBS-06-B3.F65.F00.35.0	732742
DN80	133.00	85.00	81.00	56.00	30.00	112.00	BBS-06-B3.F80.F00.35.0	732744
DN100	159.00	104.00	100.00	58.00	30.00	137.00	BBS-06-B3.F100.F00.35.0	732728

DTS 1000148955 EN Version: J Status: RL (released | freigegeben | valide) printed: 05.02.2020



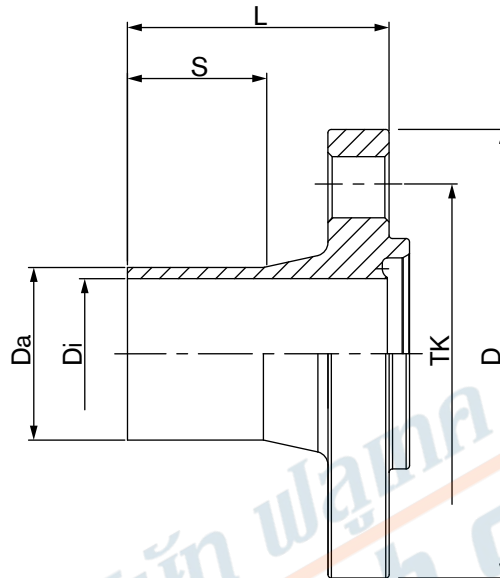
Dimension [mm] Male flange



Orifice	D [mm]	Da [mm]	Di [mm]	L [mm]	S [mm]	TK [mm]	Article no.	
ISO Dimensions Male flange								
DN08	54.00	13.50	10.30	38.50	20.00	37.00	BBS-06-A3.Z08.Z00.35.0	731927
DN10	59.00	17.20	14.00	38.50	20.00	42.00	BBS-06-A3.Z10.Z00.35.0	731929
DN15	62.00	21.30	18.10	38.50	20.00	45.00	BBS-06-A3.Z15.Z00.35.0	731937
DN20	69.00	26.90	23.70	38.50	20.00	52.00	BBS-06-A3.Z20.Z00.35.0	731941
DN25	74.00	33.70	29.70	43.50	25.00	57.00	BBS-06-A3.Z25.Z00.35.0	731943
DN32	82.00	42.40	38.40	43.50	25.00	65.00	BBS-06-A3.Z32.Z00.35.0	731946
DN40	88.00	48.30	44.30	43.50	25.00	71.00	BBS-06-A3.Z40.Z00.35.0	731954
DN50	103.00	60.30	56.30	43.50	25.00	85.00	BBS-06-A3.Z50.Z00.35.0	731958
DN65	125.00	76.10	72.10	47.00	26.00	104.00	BBS-06-A3.Z65.Z00.35.0	731964
DN80	137.00	88.90	84.30	56.00	30.00	116.00	BBS-06-A3.Z80.Z00.35.0	731966
DN100	168.00	114.30	109.70	57.00	30.00	146.00	BBS-06-A3.Z100.Z00.35.0	on request
DN125	194.00	139.70	134.50	55.00	30.00	172.00	BBS-06-A3.Z125.Z00.35.0	731935

DTS 1000148955 EN Version: J Status: RL (released | freigegeben | validé) printed: 05.02.2020

Dimension [mm] Male flange

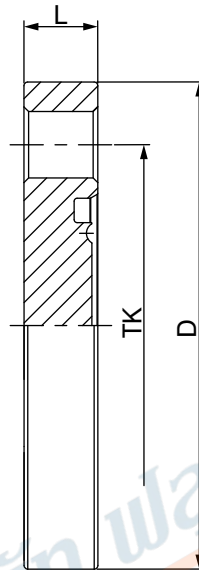


Orifice	D [mm]	Da [mm]	Di [mm]	L [mm]	S [mm]	TK [mm]	Article no.	
BS-OD Dimensions Male flange								
DN1/2"	54.00	12.70	9.40	38.50	20.00	37.00	BBS-06-A0.M05.M00.35.0	731738
DN3/4"	59.00	19.05	15.75	38.50	20.00	42.00	BBS-06-A0.M07.M00.35.0	731742
DN1"	66.00	25.40	22.10	38.50	20.00	49.00	BBS-06-A0.M10.M00.35.0	731752
DN1 1/2"	79.00	38.10	34.80	43.50	25.00	62.00	BBS-06-A0.M15.M00.35.0	731757
DN2"	92.00	50.80	47.50	43.50	25.00	75.00	BBS-06-A0.M20.M00.35.0	731763
DN2 1/2"	107.00	63.50	60.20	43.50	25.00	89.00	BBS-06-A0.M25.M00.35.0	731769
DN3"	125.00	76.20	72.90	47.00	25.00	104.00	BBS-06-A0.M30.M00.35.0	731775
DN4"	157.00	101.60	97.38	72.00	35.00	135.00	BBS-06-A0.M40.M00.35.0	731782

Orifice	D [mm]	Da [mm]	Di [mm]	L [mm]	S [mm]	TK [mm]	Article no.	
DIN Dimensions Male flange								
DN10	54.00	12.00	10.00	38.50	20.00	37.00	BBS-06-A3.F10.F00.35.0	731906
DN10	54.00	13.00	10.00	38.50	20.00	37.00	BBS-06-A3.F10.F00.35.0-1	on request
DN15	59.00	19.00	16.00	38.50	20.00	45.00	BBS-06-A3.F15.F00.35.0	731910
DN20	59.00	23.00	20.00	38.50	20.00	45.00	BBS-06-A3.F20.F00.35.0	731911
DN25	70.00	29.00	26.00	38.50	20.00	53.00	BBS-06-A3.F25.F00.35.0	731913
DN32	82.00	35.00	32.00	43.50	25.00	65.00	BBS-06-A3.F32.F00.35.0	731915
DN40	82.00	41.00	32.00	43.50	25.00	65.00	BBS-06-A3.F40.F00.35.0	731917
DN50	94.00	53.00	50.00	43.50	25.00	77.00	BBS-06-A3.F50.F00.35.0	731919
DN65	113.00	70.00	66.00	43.50	25.00	95.00	BBS-06-A3.F65.F00.35.0	731921
DN80	133.00	85.00	81.00	56.00	35.00	112.00	BBS-06-A3.F80.F00.35.0	731923
DN100	159.00	104.00	100.00	65.50	35.00	137.00	BBS-06-A3.F100.F00.35.0	731908

DTS 1000148955 EN Version: J Status: RL (released | freigegeben | valide) printed: 05.02.2020

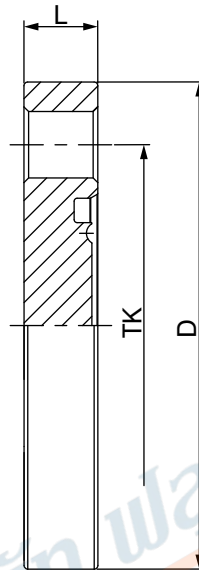
Dimension [mm] Female flange blind cover



Orifice	D [mm]	L [mm]	TK [mm]	Article no.	
ISO Dimensions Female flange blind cover					
DN08	54.00	10.00	37.00	BBS-06-D3.Z08.Z00.35.0	733127
DN10	59.00	10.00	42.00	BBS-06-D3.Z10.Z00.35.0	733129
DN15	62.00	10.00	45.00	BBS-06-D3.Z15.Z00.35.0	733133
DN20	69.00	12.00	52.00	BBS-06-D3.Z20.Z00.35.0	733135
DN25	74.00	12.00	57.00	BBS-06-D3.Z25.Z00.35.0	733137
DN32	82.00	12.00	65.00	BBS-06-D3.Z32.Z00.35.0	733141
DN40	88.00	12.00	71.00	BBS-06-D3.Z40.Z00.35.0	733145
DN50	103.00	12.00	85.00	BBS-06-D3.Z50.Z00.35.0	733149
DN65	125.00	15.00	104.00	BBS-06-D3.Z65.Z00.35.0	733151
DN80	137.00	16.00	116.00	BBS-06-D3.Z80.Z00.35.0	733153
DN100	168.00	17.00	146.00	BBS-06-D3.Z100.Z00.35.0	733131
DN125	194.00	17.00	172.00	BBS-06-D3.Z125.Z00.35.0	on request

DTS 1000148955 EN Version: J Status: RL (released | freigegeben | validé) printed: 05.02.2020

Dimension [mm] Female flange blind cover

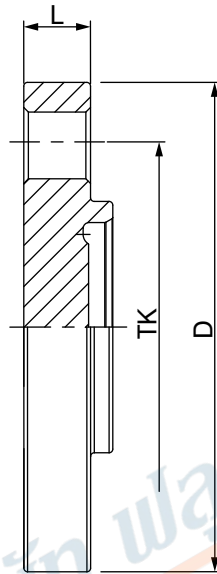


Orifice	D [mm]	L [mm]	TK [mm]	Article no.	
BS-OD Dimensions Female flange blind cover					
DN1/2"	54.00	10.00	37.00	BBS-06-D0.M05.M00.35.0	732978 ๒
DN3/4"	59.00	10.00	42.00	BBS-06-D0.M07.M00.35.0	732982 ๒
DN1"	66.00	10.00	49.00	BBS-06-D0.M10.M00.35.0	732986 ๒
DN1 1/2"	79.00	10.00	62.00	BBS-06-D0.M15.M00.35.0	732990 ๒
DN2"	92.00	10.00	75.00	BBS-06-D0.M20.M00.35.0	732994 ๒
DN2 1/2"	107.00	10.00	89.00	BBS-06-D0.M25.M00.35.0	732998 ๒
DN3"	125.00	12.00	104.00	BBS-06-D0.M30.M00.35.0	733002 ๒
DN4"	157.00	12.00	135.00	BBS-06-D0.M40.M00.35.0	733006 ๒

Orifice	D [mm]	L [mm]	TK [mm]	Article no.	
DIN Dimensions Female flange blind cover					
DN10	54.00	10.00	37.00	BBS-06-D3.F10.F00.35.0	on request
DN15	59.00	10.00	45.00	BBS-06-D3.F15.F00.35.0	743677 ๒
DN20	59.00	10.00	45.00	BBS-06-D3.F20.F00.35.0	on request
DN25	70.00	10.00	53.00	BBS-06-D3.F25.F00.35.0	on request
DN32	82.00	10.00	65.00	BBS-06-D3.F32.F00.35.0	on request
DN40	82.00	10.00	65.00	BBS-06-D3.F40.F00.35.0	on request
DN50	94.00	10.00	77.00	BBS-06-D3.F50.F00.35.0	733123 ๒
DN65	113.00	10.00	95.00	BBS-06-D3.F65.F00.35.0	on request
DN80	133.00	12.00	112.00	BBS-06-D3.F80.F00.35.0	on request
DN100	159.00	12.00	137.00	BBS-06-D3.F100.F00.35.0	733121 ๒

DTS 1000148955 EN Version: J Status: RL (released | freigegeben | validé) printed: 05.02.2020

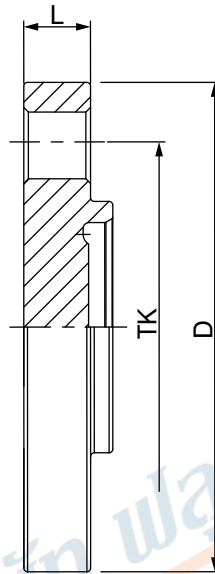
Dimension [mm] Male flange blind cover



Orifice	D [mm]	L [mm]	TK [mm]	Article no.	
ISO Dimensions Male flange blind cover					
DN08	54.00	8.50	37.00	BBS-06-L3.Z08.Z00.35.0	733587
DN10	59.00	9.00	42.00	BBS-06-L3.Z10.Z00.35.0	733591
DN15	62.00	9.00	45.00	BBS-06-L3.Z15.Z00.35.0	733597
DN20	69.00	9.00	52.00	BBS-06-L3.Z20.Z00.35.0	733600
DN25	74.00	9.00	57.00	BBS-06-L3.Z25.Z00.35.0	733603
DN32	82.00	9.00	65.00	BBS-06-L3.Z32.Z00.35.0	733606
DN40	88.00	9.00	71.00	BBS-06-L3.Z40.Z00.35.0	733612
DN50	103.00	9.00	85.00	BBS-06-L3.Z50.Z00.35.0	733615
DN65	125.00	11.00	104.00	BBS-06-L3.Z65.Z00.35.0	733619
DN80	137.00	12.00	116.00	BBS-06-L3.Z80.Z00.35.0	733623
DN100	168.00	13.00	146.00	BBS-06-L3.Z100.Z00.35.0	733594
DN125	194.00	15.00	172.00	BBS-06-L3.Z125.Z00.35.0	on request

DTS 1000148955 EN Version: J Status: RL (released | freigegeben | valide) printed: 05.02.2020

Dimension [mm] Male flange blind cover



Orifice	D [mm]	L [mm]	TK [mm]	Article no.	
BS-OD Dimensions Male flange blind cover					
DN1/2"	54.00	8.50	37.00	BBS-06-L0.M05.M00.35.0	743868
DN3/4"	59.00	9.00	42.00	BBS-06-L0.M07.M00.35.0	743869
DN1"	66.00	9.00	49.00	BBS-06-L0.M10.M00.35.0	743870
DN1 1/2"	79.00	9.00	62.00	BBS-06-L0.M15.M00.35.0	743871
DN2"	92.00	9.00	75.00	BBS-06-L0.M20.M00.35.0	743872
DN2 1/2"	107.00	9.00	89.00	BBS-06-L0.M20.M00.35.0	743873
DN3"	125.00	11.00	104.00	BBS-06-L0.M20.M00.35.0	743874
DN4"	157.00	12.00	135.00	BBS-06-L0.M20.M00.35.0	743875

Grösse	D [mm]	L [mm]	TK [mm]	Article no.	
DIN Dimensions Male flange blind cover					
DN10	54.00	10.00	37.00	BBS-06-D3.F10.F00.35.0	on request
DN15	59.00	10.00	45.00	BBS-06-D3.F15.F00.35.0	743677
DN20	59.00	10.00	45.00	BBS-06-D3.F20.F00.35.0	on request
DN25	70.00	10.00	53.00	BBS-06-D3.F25.F00.35.0	on request
DN32	82.00	10.00	65.00	BBS-06-D3.F32.F00.35.0	on request
DN40	82.00	10.00	65.00	BBS-06-D3.F40.F00.35.0	on request
DN50	94.00	10.00	77.00	BBS-06-D3.F50.F00.35.0	733123
DN65	113.00	10.00	95.00	BBS-06-D3.F65.F00.35.0	on request
DN80	133.00	12.00	112.00	BBS-06-D3.F80.F00.35.0	on request
DN100	159.00	12.00	137.00	BBS-06-D3.F100.F00.35.0	746035

DTS 1000148955 EN Version: J Status: RL (released | freigegeben | valide) printed: 05.02.2020

Dimension [mm] ISO O-Rings for sterile flange connection



Orifice	Article no. EPDM		Article no. FEP	
ISO O-Rings for sterile flange connection				
DN08	BBS-02-01.N08.00.EP.0	730983	BBS-02-01.N08.00.FE.3	on request
DN10	BBS-02-01.N10.00.EP.0	731004	BBS-02-01.N10.00.FE.3	731006
DN15	BBS-02-01.N15.00.EP.0	731058	BBS-02-01.N15.00.FE.3	731060
DN20	BBS-02-01.N20.00.EP.0	731101	BBS-02-01.N20.00.FE.3	731103
DN25	BBS-02-01.N25.00.EP.0	731141	BBS-02-01.N25.00.FE.3	731143
DN32	BBS-02-01.N32.00.EP.0	731187	BBS-02-01.N32.00.FE.3	731189
DN40	BBS-02-01.N40.00.EP.0	731216	BBS-02-01.N40.00.FE.3	731218
DN50	BBS-02-01.N50.10.EP.0	731267	BBS-02-01.N50.10.FE.3	731269
DN65	BBS-02-01.N65.00.EP.0	731287	BBS-02-01.N65.00.FE.3	731289
DN80	BBS-02-01.N80.00.EP.0	731310	BBS-02-01.N80.00.FE.3	731312
DN100	BBS-02-01.N100.00.EP.0	731031	BBS-02-01.N100.00.FE.3	731033
DN125	BBS-02-01.N125.00.EP.0	731048	BBS-02-01.N125.00.FE.3	731050

Orifice	Article no. Silicone		Article no. FKM	
ISO O-Rings for sterile flange connection				
DN08	BBS-02-01.N08.00.SI.1	730989	BBS-02-01.N08.00.VI.2	on request
DN10	BBS-02-01.N10.00.SI.1	731015	BBS-02-01.N10.00.VI.2	731017
DN15	BBS-02-01.N15.00.SI.1	731068	BBS-02-01.N15.00.VI.2	731070
DN20	BBS-02-01.N20.00.SI.1	731110	BBS-02-01.N20.00.VI.2	731112
DN25	BBS-02-01.N25.00.SI.1	731151	BBS-02-01.N25.00.VI.2	731153
DN32	BBS-02-01.N32.00.SI.1	731195	BBS-02-01.N32.00.VI.2	731198
DN40	BBS-02-01.N40.00.SI.1	731226	BBS-02-01.N40.00.VI.2	731228
DN50	BBS-02-01.N50.10.SI.1	on request	BBS-02-01.N50.10.VI.2	on request
DN65	BBS-02-01.N65.00.SI.1	731295	BBS-02-01.N65.00.VI.2	731297
DN80	BBS-02-01.N80.00.SI.1	731318	BBS-02-01.N80.00.VI.2	731320
DN100	BBS-02-01.N100.00.SI.1	731037	BBS-02-01.N100.00.VI.2	731039
DN125	BBS-02-01.N125.00.SI.1	731054	BBS-02-01.N125.00.VI.2	731056

DTS 1000148955 EN Version: J Status: RL (released | freigegeben | valide) printed: 05.02.2020

Dimension [mm] BS-OD O-Rings for sterile flange connection



Orifice	Article no. EPDM		Article no. FEP	
BS-OD O-Rings for sterile flange connection				
DN1/2"	BBS-02-01.K05.00.EP.0	730766	BBS-02-01.K05.00.FE.3	730768
DN3/4"	BBS-02-01.K07.00.EP.0	730792	BBS-02-01.K07.00.FE.3	730794
DN1"	BBS-02-01.K10.00.EP.0	730811	BBS-02-01.K10.00.FE.3	730813
DN1 1/2"	BBS-02-01.K15.00.EP.0	730837	BBS-02-01.K15.00.FE.3	730839
DN2"	BBS-02-01.K20.00.EP.0	730867	BBS-02-01.K20.00.FE.3	730870
DN2 1/2"	BBS-02-01.K25.00.EP.0	730890	BBS-02-01.K25.00.FE.3	730892
DN3"	BBS-02-01.K30.00.EP.0	730913	BBS-02-01.K30.00.FE.3	730915
DN4"	BBS-02-01.K40.00.EP.0	730938	BBS-02-01.K40.00.FE.3	730940

Orifice	Article no. Silicone		Article no. FKM	
BS-OD O-Rings for sterile flange connection				
DN1/2"	BBS-02-01.K05.00.SI.1	730770	BBS-02-01.K05.00.VI.2	730772
DN3/4"	BBS-02-01.K07.00.SI.1	730796	BBS-02-01.K07.00.VI.2	730798
DN1"	BBS-02-01.K10.00.SI.1	730815	BBS-02-01.K10.00.VI.2	730817
DN1 1/2"	BBS-02-01.K15.00.SI.1	730841	BBS-02-01.K15.00.VI.2	730843
DN2"	BBS-02-01.K20.00.SI.1	730872	BBS-02-01.K20.00.VI.2	730874
DN2 1/2"	BBS-02-01.K25.00.SI.1	730894	BBS-02-01.K25.00.VI.2	730896
DN3"	BBS-02-01.K30.00.SI.1	730917	BBS-02-01.K30.00.VI.2	730919
DN4"	BBS-02-01.K40.00.SI.1	730942	BBS-02-01.K40.00.VI.2	730944

DTS 1000148955 EN Version: J Status: RL (released | freigegeben | valide) printed: 05.02.2020

Dimension [mm] DIN O-Rings for sterile flange connection

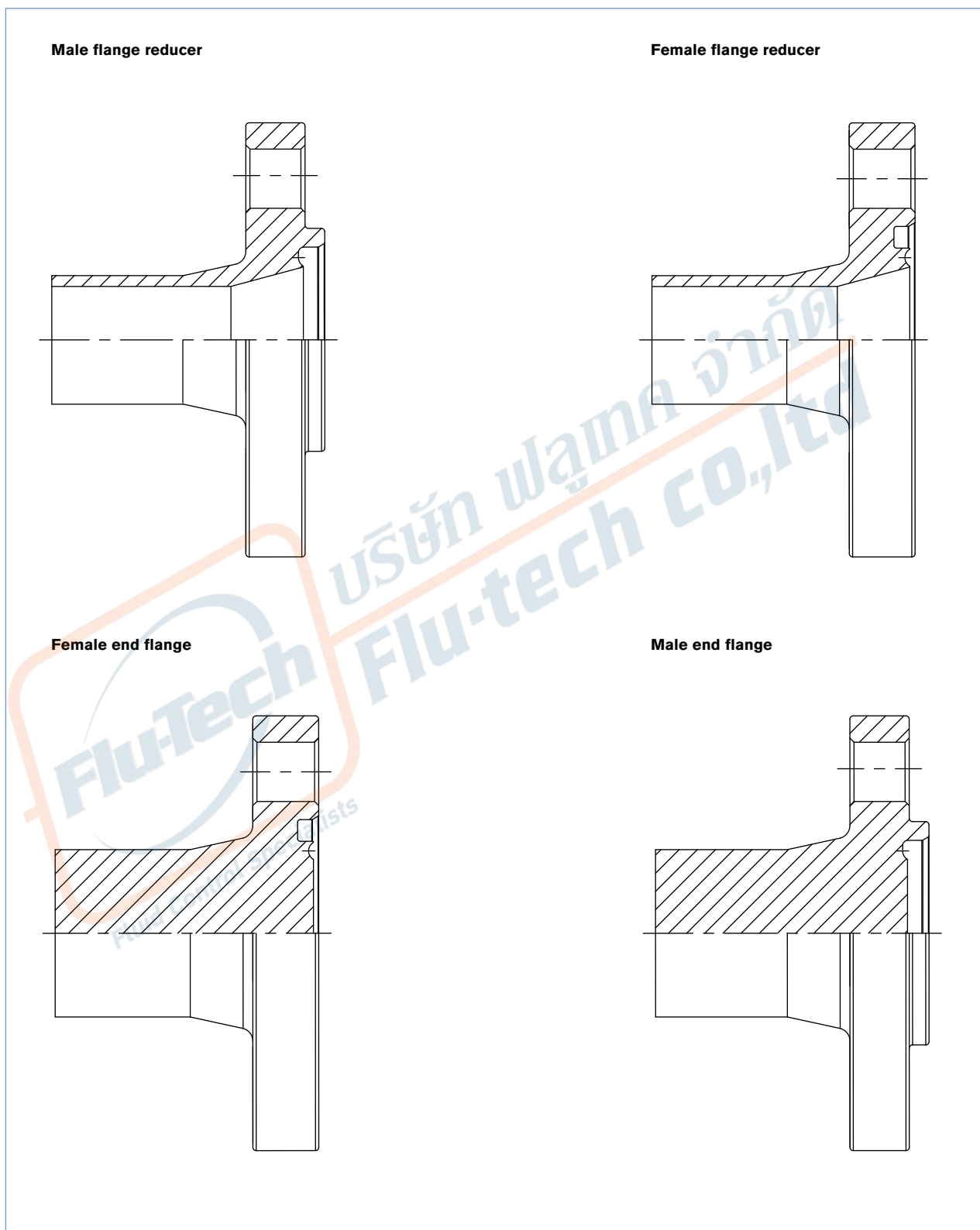


Orifice	Article no. EPDM		Article no. FEP	
DIN O-Rings for sterile flange connection				
DN10	BBS-02-01.D10.00.EP.0	730369	BBS-02-01.D10.00.FE.3	730371
DN15	BBS-02-01.D15.00.EP.0	730412	BBS-02-01.D15.00.FE.3	730414
DN20	BBS-02-01.D20.00.EP.0	730460	BBS-02-01.D20.00.FE.3	730462
DN25	BBS-02-01.D25.00.EP.0	730497	BBS-02-01.D25.00.FE.3	730499
DN32	BBS-02-01.D32.00.EP.0	730546	BBS-02-01.D32.00.FE.3	730548
DN40	BBS-02-01.D40.00.EP.0	730573	BBS-02-01.D40.00.FE.3	730575
DN50	BBS-02-01.D50.00.EP.0	730606	BBS-02-01.D50.00.FE.3	730608
DN65	BBS-02-01.D65.00.EP.0	730647	BBS-02-01.D65.00.FE.3	730649
DN80	BBS-02-01.D80.00.EP.0	730678	BBS-02-01.D80.00.FE.3	730680
DN100	BBS-02-01.D100.00.EP.0	730389	BBS-02-01.D100.00.FE.3	730391

Orifice	Article no. Silicone		Article no. FKM	
DIN O-Rings for sterile flange connection				
DN10	BBS-02-01.D10.00.SI.1	730373	BBS-02-01.D10.00.VI.2	730375
DN15	BBS-02-01.D15.00.SI.1	730416	BBS-02-01.D15.00.VI.2	730418
DN20	BBS-02-01.D20.00.SI.1	730464	BBS-02-01.D20.00.VI.2	730466
DN25	BBS-02-01.D25.00.SI.1	730501	BBS-02-01.D25.00.VI.2	730503
DN32	BBS-02-01.D32.00.SI.1	730550	BBS-02-01.D32.00.VI.2	730552
DN40	BBS-02-01.D40.00.SI.1	730577	BBS-02-01.D40.00.VI.2	730579
DN50	BBS-02-01.D50.00.SI.1	730610	BBS-02-01.D50.00.VI.2	730612
DN65	BBS-02-01.D65.00.SI.1	730651	BBS-02-01.D65.00.VI.2	730653
DN80	BBS-02-01.D80.00.SI.1	730682	BBS-02-01.D80.00.VI.2	730684
DN100	BBS-02-01.D100.00.SI.1	730393	BBS-02-01.D100.00.VI.2	730395

DTS 1000148955 EN Version: J Status: RL (released | freigegeben | valide) printed: 05.02.2020

As follows versions available on request



DTS 1000148955 EN Version: J Status: RL (released | freigegeben | validé) printed: 05.02.2020