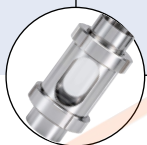


## Sterile orbital Quick Connect



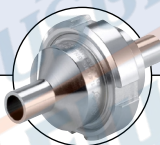
Hygienic Processing components.....



**Type BBS-3F**  
Flow indicator



**Type BBS-04**  
Silicone hose



**Type BBS-10**  
Check valve



**Type BBS-03**  
Sterile threaded  
connection



**Type BBS-06**  
Sterile orbital flange



**Type 2103**  
Diaphragm valve

- Optimum design according to recommendation of the ASME BPE directives
- Guaranteed crevice free
- All medium contact materials traceable, traceable seal on request
- Component of the BBS modular system

The BBS Sterile Quick Connect is a crevice free connection which has been developed with sterile applications firmly in the mind. It is available in virtually all sizes, standards and configurations it means you can optimize conditions inside your process whilst you are maintaining security on the outside according to different requirements.

In addition to the Quick Connect we offer sterile unions (threaded connections -Type BBS-03) and sterile flanged connections (Type BBS-06) for maximum security.

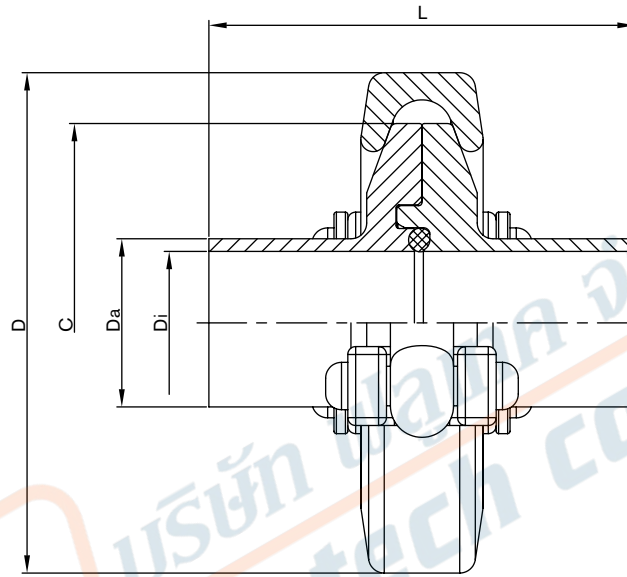
The design incorporates use of a standard dimension O-Ring which gives flexibility of material choice.

### Applications

- Biotechnology
- Pharmaceutical
- Chemical industry
- Dairy
- Food
- Cosmetic

Technical data	
<b>Available standard sizes</b>	ISO DN08 to DN100 BS-OD DN1/4" to DN4" DIN DN08 to DN100 Customized on request
<b>Material medium contact</b>	Stainless steel 1.4435 BN2 (316L) Special materials on request
<b>Material medium separated</b>	1.4305 or equivalent
<b>Connection</b>	Standard clamp
<b>Seals</b>	O-Ring, EPDM, FEP, special sealing materials on request
<b>Surface quality</b>	Medium contacted surface < Ra 0.8µm, electro polished, finer surface on request
<b>Operating temperature</b>	EPDM seal material: -40 °C to 90 °C, temporary to 140 °C FEP seal material: -60 °C to 160 °C, temporary to 205 °C
<b>Ambient temperature</b>	-20 to +80 °C
<b>Media</b>	Gases or liquids
<b>Operating pressure</b>	-1 to +16 bar
<b>Applicable standards</b>	Pipe connection acc. to DIN 11866 ISO dimensions series B (ISO 4200) BS-OD dimensions series C (ASME BPE) DIN dimensions series A (DIN 11850)
<b>Certifications</b>	Material 3.1 FDA for all specified seal materials USP Class VI for EPDM, PTFE and FEP

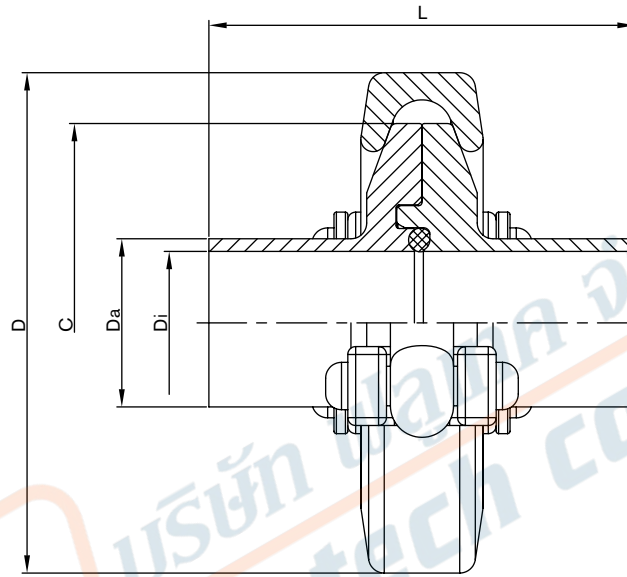
**Dimensions [mm] Sterile Quick Connect**



Orifice	C [mm]	D [mm]	Da [mm]	Di [mm]	L [mm]	Article no. EPDM	Article no. FEP
<b>ISO Dimensions Sterile Quick Connect</b>							
DN08	25.00	41.00	13.50	10.30	54.00	730648	730650
DN10	50.50	41.00	17.20	14.00	54.00	730658	730660
DN15	50.50	72.00	21.30	18.10	54.00	730679	730683
DN20	50.50	72.00	26.90	23.70	54.00	730693	730695
DN25	50.50	72.00	33.70	29.70	54.00	730703	730707
DN32	64.00	87.00	42.40	38.40	60.00	730712	730714
DN40	64.00	87.00	48.30	44.30	60.00	730722	730724
DN50	77.50	99.00	60.30	56.30	60.00	730730	730732
DN65	91.00	113.00	76.10	72.10	60.00	730738	730740
DN80	106.00	127.00	88.90	84.30	60.00	730748	744383
DN100	144.50	169.00	114.30	109.70	60.00	730666	730668

DTS 1000148954 EN Version: L Status: RL (released | freigegeben | valide) printed: 05.02.2020

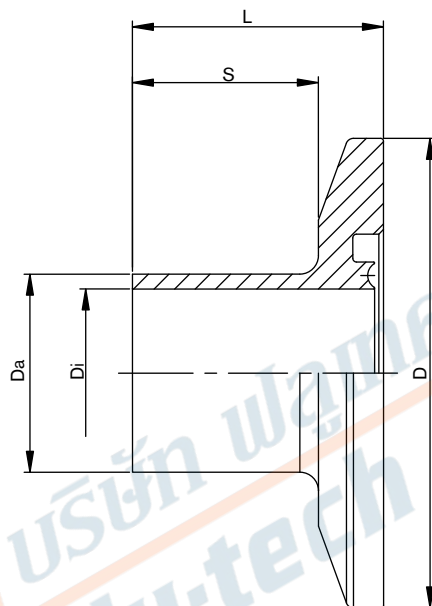
**Dimensions [mm] Sterile Quick Connect, continued**



Orifice	C [mm]	D [mm]	Da [mm]	Di [mm]	L [mm]	Article no.	
						EPDM	FEP
<b>BS-OD Dimensions Sterile Quick Connect</b>							
DN1/4"	25.00	41.00	6.35	4.57	54.00	730576	730578
DN3/8"	25.00	41.00	9.53	7.75	54.00	743032	743033
DN1/2"	25.00	41.00	12.70	9.40	54.00	730584	730586
DN3/4"	25.00	41.00	19.05	15.75	54.00	730592	730594
DN1"	50.50	72.00	25.40	22.10	54.00	730600	730602
DN1 1/2"	50.50	72.00	38.10	34.80	54.00	730607	730609
DN2"	64.00	87.00	50.80	47.50	54.00	730615	730617
DN2 1/2"	77.50	99.00	63.50	60.20	54.00	730623	730625
DN3"	91.00	113.00	76.20	72.90	60.00	730631	730633
DN4"	119.00	140.00	101.60	97.38	60.00	730639	730641
<b>DIN Dimensions Sterile Quick Connect</b>							
DN08	25.00	41.00	10.00	8.00	54.00	730757	730759
DN10	25.00	41.00	12.00	10.00	54.00	730765	730767
DN15	25.00	41.00	13.00	10.00	54.00	744384	744385
DN25	50.50	55.00	19.00	16.00	54.00	730781	730783
DN32	50.50	55.00	23.00	20.00	54.00	730789	730791
DN35	50.50	72.00	29.00	26.00	54.00	730799	730800
DN40	64.00	87.00	35.00	32.00	60.00	730806	730808
DN40	64.00	87.00	41.00	38.00	60.00	730814	730816
DN50	77.50	99.00	53.00	50.00	60.00	730822	730824
DN65	91.00	113.00	70.00	66.00	60.00	730830	730832
DN80	106.00	127.00	85.00	81.00	60.00	730838	730840
DN100	130.00	154.00	104.00	100.00	60.00	730773	730775

DTS 1000148954 EN Version: L Status: RL (released | freigegeben | valide) printed: 05.02.2020

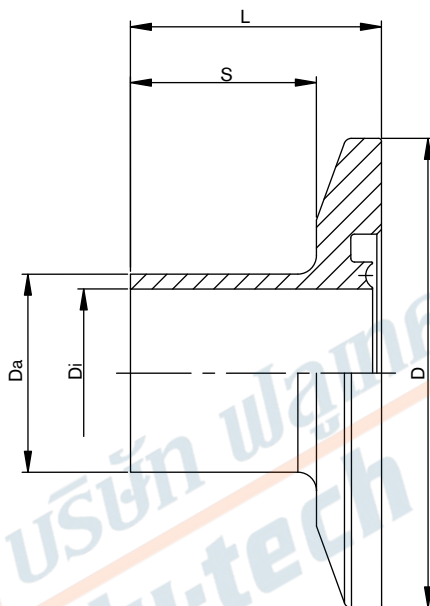
**Dimensions [mm] Quick Connect female ferrule**



Orifice	D [mm]	Da [mm]	Di [mm]	L [mm]	S [mm]	Article no.
<b>ISO Dimensions Quick Connect female ferrule</b>						
DN08	25.00	13.50	10.30	27.00	18.00	730953
DN10	50.50	17.20	14.00	27.00	20.00	730959
DN15	50.50	21.30	18.10	27.00	20.00	730972
DN20	50.50	26.90	23.70	27.00	20.00	730980
DN25	50.50	33.70	29.70	27.00	18.00	730992
DN32	64.00	42.40	38.40	30.00	20.00	730996
DN40	64.00	48.30	44.30	30.00	21.00	731005
DN50	77.50	60.30	56.30	30.00	21.00	731008
DN65	91.00	76.10	42.10	30.00	21.00	731012
DN80	106.00	88.90	84.30	30.00	20.00	731018
DN100	144.50	114.30	109.70	30.00	20.00	730962

DTS 1000148954 EN Version: L Status: RL (released | freigegeben | valide) printed: 05.02.2020

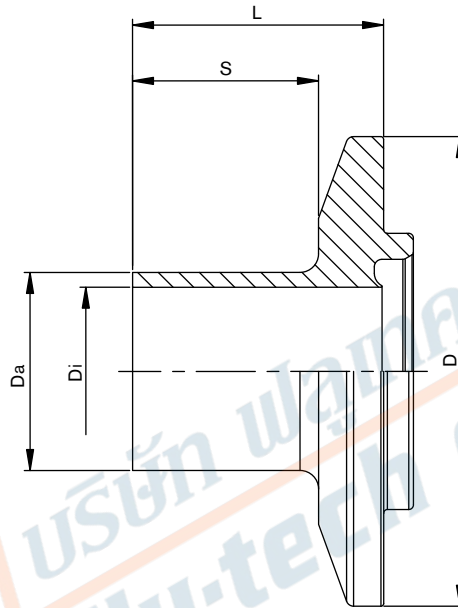
**Dimensions [mm] Quick Connect female ferrule, continued**



Orifice	D [mm]	Da [mm]	Di [mm]	L [mm]	S [mm]	Article no.
<b>BS-OD Dimensions Quick Connect female ferrule</b>						
DN1/4"	25.00	6.35	4.57	27.00	18.00	730920
DN3/8"	25.00	9.53	7.75	27.00	18.00	743697
DN1/2"	25.00	12.70	9.40	27.00	18.00	730923
DN3/4"	25.00	19.05	15.75	27.00	18.00	730927
DN1"	50.50	25.40	22.10	27.00	18.00	730931
DN1 1/2"	50.50	38.10	34.80	27.00	18.00	730935
DN2"	64.00	50.80	47.50	27.00	18.00	730939
DN2 1/2"	77.50	63.50	60.20	27.00	18.00	730943
DN3"	91.00	76.20	72.90	30.00	21.00	744557
DN4"	119.00	101.60	97.38	30.00	21.00	744396
<b>DIN Dimensions Quick Connect female ferrule</b>						
DN08	25.00	10.00	8.00	27.00	18.00	731024
DN10	25.00	12.00	10.00	27.00	18.00	731030
DN10	25.00	13.00	10.00	27.00	18.00	748225
DN15	50.50	19.00	16.00	27.00	18.00	731036
DN20	50.50	23.00	20.00	27.00	18.00	731038
DN25	50.50	29.00	26.00	27.00	18.00	731044
DN32	64.00	35.00	32.00	30.00	18.00	731047
DN40	64.00	41.00	32.00	30.00	21.00	731051
DN50	77.50	53.00	50.00	30.00	21.00	731055
DN65	91.00	70.00	66.00	30.00	21.00	731059
DN80	106.00	85.00	81.00	30.00	20.00	731063
DN100	130.00	104.00	100.00	30.00	20.00	731032

DTS 1000148954 EN Version: L Status: RL (released | freigegeben | valide) printed: 05.02.2020

**Dimensions [mm] Quick Connect male ferrule**

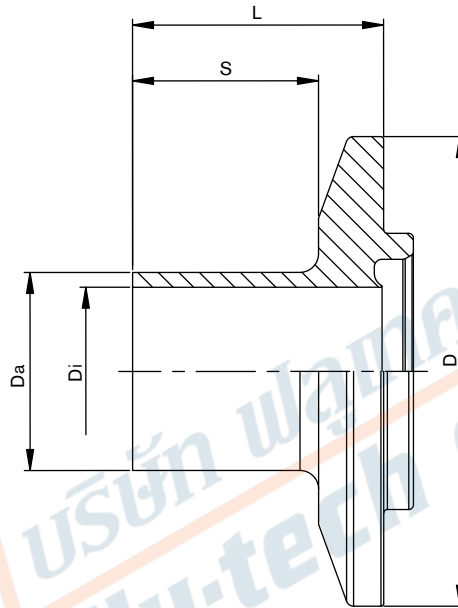


Orifice	D [mm]	Da [mm]	Di [mm]	L [mm]	S [mm]	Article no.
<b>ISO Dimensions Quick Connect male ferrule</b>						
DN08	25.00	13.50	10.30	27.00	18.00	730294 ๒๒
DN10	50.50	17.20	14.00	27.00	20.00	730298 ๒๒
DN15	50.50	21.30	18.10	27.00	20.00	730310 ๒๒
DN20	50.50	26.90	23.70	27.00	20.00	730318 ๒๒
DN25	50.50	33.70	29.70	27.00	18.00	730325 ๒๒
DN32	64.00	42.40	38.40	30.00	20.00	730331 ๒๒
DN40	64.00	48.30	44.30	30.00	21.00	730341 ๒๒
DN50	77.50	60.30	56.30	30.00	21.00	730345 ๒๒
DN65	91.00	76.10	42.10	30.00	21.00	730349 ๒๒
DN80	106.00	88.90	84.30	30.00	20.00	730355 ๒๒
DN100	144.50	114.30	109.70	30.00	20.00	730302 ๒๒

DTS 1000148954 EN Version: L Status: RL (released | freigegeben | valide) printed: 05.02.2020



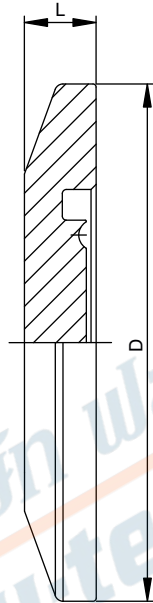
**Dimensions [mm] Quick Connect male ferrule, continued**



Orifice	D [mm]	Da [mm]	Di [mm]	L [mm]	S [mm]	Article no.
<b>BS-OD Dimensions Quick Connect male ferrule</b>						
DN1/4"	25.00	6.35	4.57	27.00	18.00	730263 ๒๒
DN3/8"	25.00	9.53	7.75	27.00	18.00	743696 ๒๒
DN1/2"	25.00	12.70	9.40	27.00	18.00	730267 ๒๒
DN3/4"	25.00	19.05	15.75	27.00	18.00	730271 ๒๒
DN1"	50.50	25.40	22.10	27.00	18.00	730274 ๒๒
DN1 1/2"	50.50	38.10	34.80	27.00	18.00	730278 ๒๒
DN2"	64.00	50.80	47.50	27.00	18.00	730282 ๒๒
DN2 1/2"	77.50	63.50	60.20	27.00	18.00	730286 ๒๒
DN3"	91.00	76.20	72.90	30.00	21.00	744525 ๒๒
DN4"	119.00	101.60	97.38	30.00	21.00	744390 ๒๒
<b>DIN Dimensions Quick Connect male ferrule</b>						
DN08	25.00	10.00	8.00	27.00	18.00	730360 ๒๒
DN10	25.00	12.00	10.00	27.00	18.00	730366 ๒๒
DN10	25.00	13.00	10.00	27.00	18.00	744391 ๒๒
DN15	50.50	19.00	16.00	27.00	18.00	730372 ๒๒
DN20	50.50	23.00	20.00	27.00	18.00	730374 ๒๒
DN25	50.50	29.00	26.00	27.00	18.00	730380 ๒๒
DN32	64.00	35.00	32.00	30.00	18.00	730382 ๒๒
DN40	64.00	41.00	32.00	30.00	21.00	730386 ๒๒
DN50	77.50	53.00	50.00	30.00	21.00	730390 ๒๒
DN65	91.00	70.00	66.00	30.00	21.00	730392 ๒๒
DN80	106.00	85.00	81.00	30.00	20.00	730396 ๒๒
DN100	130.00	104.00	100.00	30.00	20.00	730368 ๒๒

DTS 1000148954 EN Version: L Status: RL (released | freigegeben | valide) printed: 05.02.2020

**Dimensions [mm] Quick Connect female ferrule blind cover**

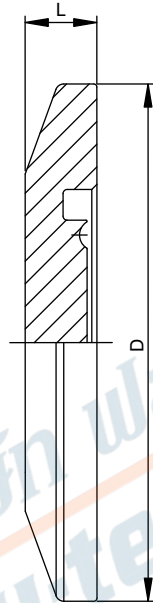


Orifice	D [mm]	L [mm]	Article no.
<b>ISO Dimensions Quick Connect female ferrule blind cover</b>			
DN08	25.00	6.00	731351
DN10	50.50	7.00	731354
DN15	50.50	7.00	731364
DN20	50.50	7.00	731368
DN25	50.50	7.00	731374
DN32	64.00	10.00	731378
DN40	64.00	10.00	731384
DN50	77.50	10.00	731388
DN65	91.00	10.00	731392
DN80	106.00	10.00	731395
DN100	144.50	10.00	731358

DTS 1000148954 EN Version: L Status: RL (released | freigegeben | valide) printed: 05.02.2020



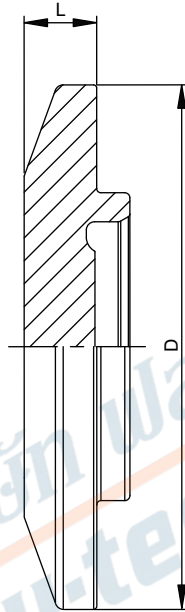
**Dimensions [mm] Quick Connect female ferrule blind cover, continued**



Orifice	D [mm]	L [mm]	Article no.
<b>BS-OD Dimensions Quick Connect female ferrule blind cover</b>			
DN1/4"	25.00	6.00	743700 ๒๕
DN3/8"	25.00	6.00	743699 ๒๕
DN1/2"	25.00	6.00	743698 ๒๕
DN3/4"	25.00	6.00	731345 ๒๕
DN1"	50.50	7.00	743866 ๒๕
DN1 ½"	50.50	7.00	731347 ๒๕
DN2"	64.00	10.00	743867 ๒๕
DN2 ½"	77.50	10.00	744445 ๒๕
DN3"	91.00	10.00	744447 ๒๕
DN4"	119.00	10.00	744449 ๒๕
<b>DIN Dimensions Quick Connect female ferrule blind cover</b>			
DN08	25.00	6.00	731398 ๒๕
DN10	25.00	7.00	731399 ๒๕
DN15	50.50	7.00	744455 ๒๕
DN20	50.50	7.00	744457 ๒๕
DN25	50.50	7.00	731401 ๒๕
DN32	64.00	10.00	744458 ๒๕
DN40	64.00	10.00	744459 ๒๕
DN50	77.50	10.00	744461 ๒๕
DN65	91.00	10.00	744463 ๒๕
DN80	106.00	10.00	744465 ๒๕
DN100	130.00	10.00	744643 ๒๕

DTS 1000148954 EN Version: L Status: RL (released | freigegeben | validé) printed: 05.02.2020

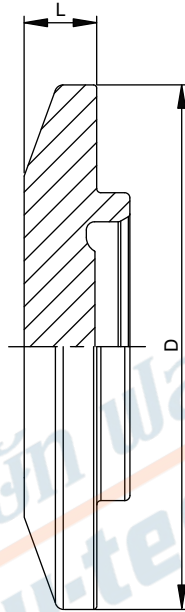
**Dimensions [mm] Quick Connect male ferrule blind cover**



Orifice	D [mm]	L [mm]	Article no.
<b>ISO Dimensions Quick Connect male ferrule blind cover</b>			
DN08	25.00	6.20	731280
DN10	50.50	6.20	731284
DN15	50.50	6.20	731292
DN20	50.50	6.20	731296
DN25	50.50	6.20	731301
DN32	64.00	6.20	731305
DN40	64.00	6.20	731311
DN50	77.50	6.20	731315
DN65	91.00	10.00	731319
DN80	106.00	10.00	731323
DN100	144.50	10.00	744416

DTS 1000148954 EN Version: L Status: RL (released | freigegeben | validé) printed: 05.02.2020

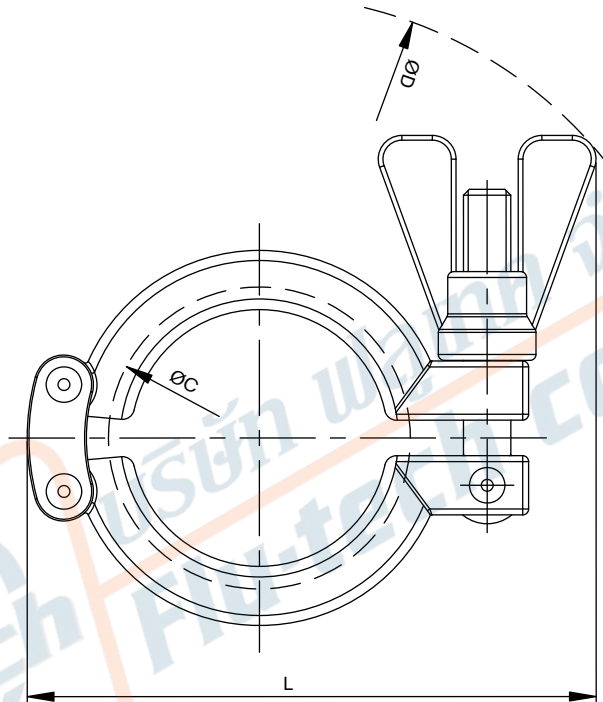
**Dimensions [mm] Quick Connect male ferrule blind cover, continued**



Orifice	D [mm]	L [mm]	Article no.
<b>BS-OD Dimensions Quick Connect male ferrule blind cover</b>			
DN1/4"	25.00	6.20	731262
DN3/8"	25.00	6.20	744406
DN1/2"	25.00	6.20	731264
DN3/4"	25.00	6.20	731266
DN1"	50.50	6.20	731268
DN1 1/2"	50.50	6.20	731270
DN2"	64.00	6.20	731272
DN2 1/2"	77.50	6.20	731274
DN3"	91.00	10.00	731276
DN4"	119.00	10.00	744415
<b>DIN Dimensions Quick Connect male ferrule blind cover</b>			
DN08	25.00	6.20	731327
DN10	25.00	6.20	744418
DN15	50.50	6.20	744421
DN20	50.50	6.20	744423
DN25	50.50	6.20	731335
DN32	64.00	6.20	744425
DN40	64.00	6.20	744427
DN50	77.50	6.20	744428
DN65	91.00	10.00	744430
DN80	106.00	10.00	744432
DN100	130.00	10.00	744420

DTS 1000148954 EN Version: L Status: RL (released | freigegeben | validé) printed: 05.02.2020

**Dimensions [mm] Clamp**

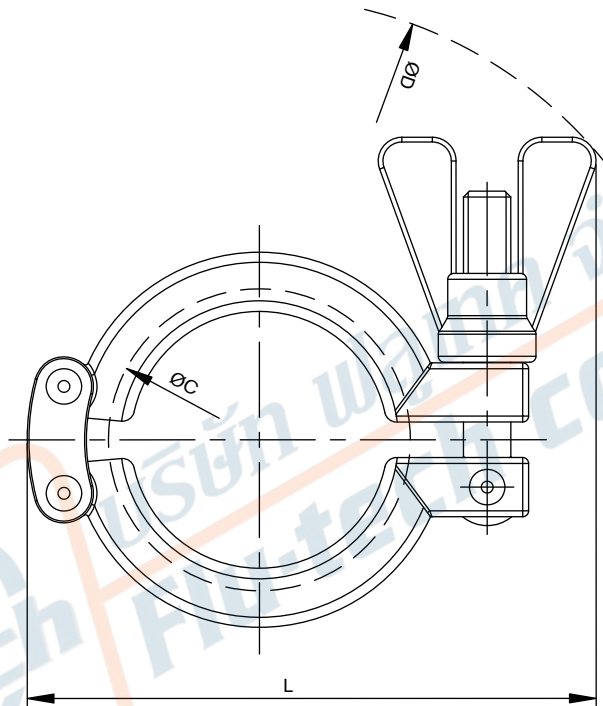


depending on availability model either with butterfly nut or porthole nut

Orifice	C [mm]	D [mm]	L [mm]	Article no.
<b>ISO Dimensions Clamp</b>				
DN08	25.00	130.00	64.00	731146 ๒๕
DN10	50.50	154.00	93.00	731164 ๒๕
DN15	50.50	154.00	93.00	731164 ๒๕
DN20	50.50	154.00	93.00	731164 ๒๕
DN25	50.50	154.00	93.00	731164 ๒๕
DN32	64.00	180.00	108.00	731172 ๒๕
DN40	64.00	180.00	108.00	731172 ๒๕
DN50	77.50	200.00	125.00	731174 ๒๕
DN65	91.00	105.00	139.00	731176 ๒๕
DN80	106.00	116.00	144.00	731178 ๒๕
DN100	144.50	230.00	161.00	731152 ๒๕

DTS 1000148954 EN Version: L Status: RL (released | freigegeben | validé) printed: 05.02.2020

**Dimensions [mm] Clamp**



depending on availability model either with butterfly nut or porthole nut

Orifice	C [mm]	D [mm]	L [mm]	Article no.
<b>BS-OD Dimensions Clamp</b>				
DN1/4"	25.00	130.00	64.00	731146 ๒
DN3/8"	25.00	130.00	64.00	731146 ๒
DN1/2"	25.00	130.00	64.00	731146 ๒
DN3/4"	25.00	130.00	64.00	731146 ๒
DN1"	50.50	154.00	93.00	731164 ๒
DN1 ½"	50.50	154.00	93.00	731164 ๒
DN2"	64.00	180.00	108.00	731172 ๒
DN2 ½"	77.50	200.00	125.00	731174 ๒
DN3"	91.00	105.00	139.00	731176 ๒
DN4"	119.00	240.00	171.00	731144 ๒
<b>DIN Dimensions Clamp</b>				
DN08	25.00	130.00	64.00	731146 ๒
DN10	25.00	130.00	64.00	731146 ๒
DN15	50.50	154.00	93.00	731164 ๒
DN20	50.50	154.00	93.00	731164 ๒
DN25	50.50	154.00	93.00	731164 ๒
DN32	64.00	180.00	108.00	731172 ๒
DN40	64.00	180.00	108.00	731172 ๒
DN50	77.50	200.00	125.00	731174 ๒
DN65	91.00	105.00	139.00	731176 ๒
DN80	106.00	116.00	144.00	731178 ๒
DN100	130.00	240.00	173.00	731154 ๒

DTS 1000148954 EN Version: L Status: RL (released | freigegeben | valide) printed: 05.02.2020

**Dimensions [mm] ISO O-Rings for Quick Connect connection**



Orifice	Article no. EPDM	Article no. FEP
<b>ISO O-Rings for Quick Connect connection</b>		
DN08	730983	on request
DN10	731004	731006
DN15	731058	731060
DN20	731101	731103
DN25	731141	731143
DN32	731187	731189
DN40	731216	731218
DN50	731267	731269
DN65	731287	731289
DN80	731310	731312
DN100	731031	731033
Orifice	Article no. Silicone	Article no. FKM
<b>ISO O-Rings for Quick Connect connection</b>		
DN08	730989	on request
DN10	731015	731017
DN15	731068	731070
DN20	731110	731112
DN25	731151	731153
DN32	731195	731198
DN40	731226	731228
DN50	on request	on request
DN65	731295	731297
DN80	731318	731320
DN100	731037	731039

DTS 1000148954 EN Version: L Status: RL (released | freigegeben | valide) printed: 05.02.2020



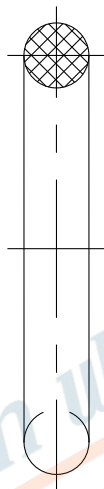
**Dimensions [mm] BS-OD O-Rings for Quick Connect connection**



Orifice	Article no. EPDM	Article no. FEP
<b>BS-OD O-Rings for Quick Connect connection</b>		
DN1/4"	730750	730752
DN3/8"	730356	730358
DN1/2"	730766	730768
DN3/4"	730792	730794
DN1"	730811	730813
DN1 1/2"	730837	730839
DN2"	730867	730870
DN2 1/2"	730890	730892
DN3"	730913	730915
DN4"	730938	730940
Orifice	Article no. Silicone	Article no. FKM
<b>BS-OD O-Rings for Quick Connect connection</b>		
DN1/4"	730754	730756
DN3/8"	730361	730363
DN1/2"	730770	730772
DN3/4"	730796	730798
DN1"	730815	730817
DN1 1/2"	730841	730843
DN2"	730872	730874
DN2 1/2"	730894	730896
DN3"	730917	730919
DN4"	730942	730944

DTS 1000148954 EN Version: L Status: RL (released | freigegeben | validé) printed: 05.02.2020

**Dimensions [mm] DIN O-Rings for Quick Connect connection**



Orifice	Article no. EPDM	Article no. FEP
<b>DIN O-Rings for Quick Connect connection</b>		
DN08	730356	730358
DN10	730369	730371
DN15	730412	730414
DN20	730460	730462
DN25	730497	730499
DN32	730546	730548
DN40	730573	730575
DN50	730606	730608
DN65	730647	730649
DN80	730678	730680
DN100	730389	730391
Orifice	Article no. Silicone	Article no. FKM
<b>DIN O-Rings for Quick Connect connection</b>		
DN08	730361	730363
DN10	730373	730375
DN15	730416	730418
DN20	730464	730466
DN25	730501	730503
DN32	730550	730552
DN40	730577	730579
DN50	730610	730612
DN65	730651	730653
DN80	730682	730684
DN100	730393	730395

DTS 1000148954 EN Version: L Status: RL (released | freigegeben | valide) printed: 05.02.2020