




2/2 or 3/2 way TwinPower Rocker-Solenoid Valve with separating diaphragm

- 22 mm ultra compact design with orifices up to DN 3.0
- Isolating diaphragm for high chemical resistance
- Circuit function NC, NO and 3 way universal
- Back pressure tightness via rocker principle
- Minimal internal volume with excellent cleanability



Product variants described in the data sheet may differ from the product presentation and description.

Can be combined with

- | | |
|--|---|
|  <p>Type 2505
10 mm socket for Bürkert small solenoid valves</p> | ▶ |
|  <p>Type 2507
Cable plug - industry standard plug Form B</p> | ▶ |

Type description

Direct acting medium separated 2/2 and 3/2 way Rocker Solenoid Valve for control of aggressive fluids and gases in analytical medical applications, the food industry, and also the chemical industry for dosing, filling, mixing and distribution.

The medium is in contact with fluid housing and seal material solely through the isolating diaphragm. This valve with the new TwinPower actuator, robust screw-in connection and 22 mm installation width, will fulfil the highest requirements. The established rocker solenoid technology is characterized through full back pressure tightness, good rinsing capability and low internal volume. Type 6628 is available in different technical versions and by virtue of several body options, it offers a perfect adaption in fluid applications.

Table of contents

1. General technical data	3
2. Product versions	4
3. Circuit functions	4
4. Materials	5
4.1. Chemical Resistance Chart – Bürkert resistApp.....	5
4.2. Material specifications	5
5. Dimensions	6
5.1. Flange version with connector plug Form B	6
5.2. Bürkert flange interface (22 x 35 mm).....	6
5.3. Threaded version with rectangular plug Type 2505.....	7
5.4. Hose connector with flying leads.....	8
5.5. Hose connector with rectangular plug Type 2505	9
6. Ordering information	9
6.1. Bürkert eShop – Easy ordering and quick delivery.....	9
6.2. Bürkert product filter.....	10
6.3. Ordering chart.....	10
6.4. Ordering chart accessories.....	12
Rectangular cable plug Type 2505	12
Cable plug Type 2507 acc. to Industrial standard Form B	12
Multiple manifolds for Bürkert flange interface 3 way	13

1. General technical data

Product properties	
Dimensions	Detailed information can be found in chapter "5. Dimensions" on page 6.
Material	
Seal	FFKM, FKM or EPDM
Fluid body	PEEK or PPS (PP on request)
Manual override	On request
Internal volume	Bürkert flange: from 280 µl Hose connector: from 500 µl Threaded body: from 500 µl
Orifice	DN 2.0 (Vac...5 bar) DN 3.0 (Vac...3 bar)
Circuit function	Detailed information can be found in chapter "3. Circuit functions" on page 4.
Performance data	
Switching time ²⁾	Opening: approx. 25 ms (pressure rise 0...10 %) Closing: approx. 25 ms (pressure drop 100...90 %)
Electrical data	
Power supply	12 V DC, 24 V DC (other voltages on request)
Duty cycle	Continuous operation 100 %
Power consumption	5 W (other powers on request & versions with internal power reduction possible)
Voltage tolerance ¹⁾	± 10 %
Medium data	
Operating medium	Resistant to neutral and aggressive liquids and gases (see chapter "4.1. Chemical Resistance Chart – Bürkert resistApp" on page 5)
Medium temperature	FFKM: 0 °C...+55 °C FFKM: +10 °C...+55 °C EPDM: -10 °C...+55 °C
Viscosity	Max. approx. 21 mm ² /s
Process/Port connection & communication	
Electrical connection	PFA single flying leads 0,5 mm ² (AWG 20), length 500 mm Tag connectors according to DIN 43650 Form B for cable plug Type 2507 ▶ Rectangular plug Type 2505 ▶
Port connection	Bürkert flange (22 x 35 mm) G 1/8" NPT 1/8" Hose connector 4 mm (5/32") Push-in connector (tube's external diameter 6 mm)
Approvals and certificates	
Protection class	IP54 with cable or cable plug Type 2507 ▶ IP30 with rectangular plug Type 2505 ▶
Environment and installation	
Installation	As required, preferably with actuator upright
Minimum bending radius for flying leads version	Single bending: 5 mm Multiple bending: 8 mm
Ambient temperature	FFKM: 0 °C...+55 °C FFKM: +10 °C...+55 °C EPDM: -10 °C...+55 °C

1.) Max. allowed ripple

2.) Measurement at the valve outlet at 2 bar and 20 °C according to DIN ISO 12238:2001

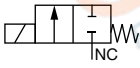
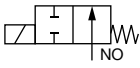
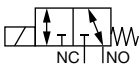
2. Product versions



3. Circuit functions

Note:


Other circuit functions on request.

Circuit functions	Description
	Type A, solenoid valve 2/2 way Direct-acting Normally closed
	Type B, solenoid valve 2/2 way Direct-acting Normally open
	Type T, solenoid valve 3/2 way Direct-acting Flow direction optional

DTS 1000170656 EN Version: I Status: RL (released | freigegeben | valide) printed: 04.05.2022

4. Materials

4.1. Chemical Resistance Chart – Bürkert resistApp

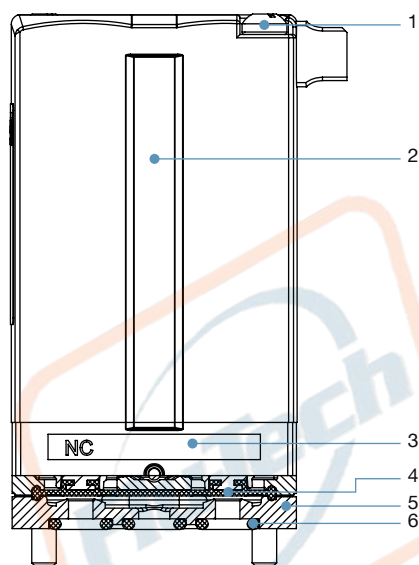


Bürkert resistApp – Chemical Resistance Chart

You want to ensure the reliability and durability of the materials in your individual application case? Verify your combination of media and materials on our website or in our resistApp.

[Start Chemical Resistance Check](#)

4.2. Material specifications



No.	Element	Material
1	Fixing screw M3 (from end to end)	Stainless steel
2	Coil	Epoxy
3	Valve body	PPS
4	Diaphragm (medium contact)	FFKM, FKM or EPDM
5	Fluid housing (medium contact)	PEEK or PPS
6	Flange seal (medium contact)	FFKM, FKM or EPDM

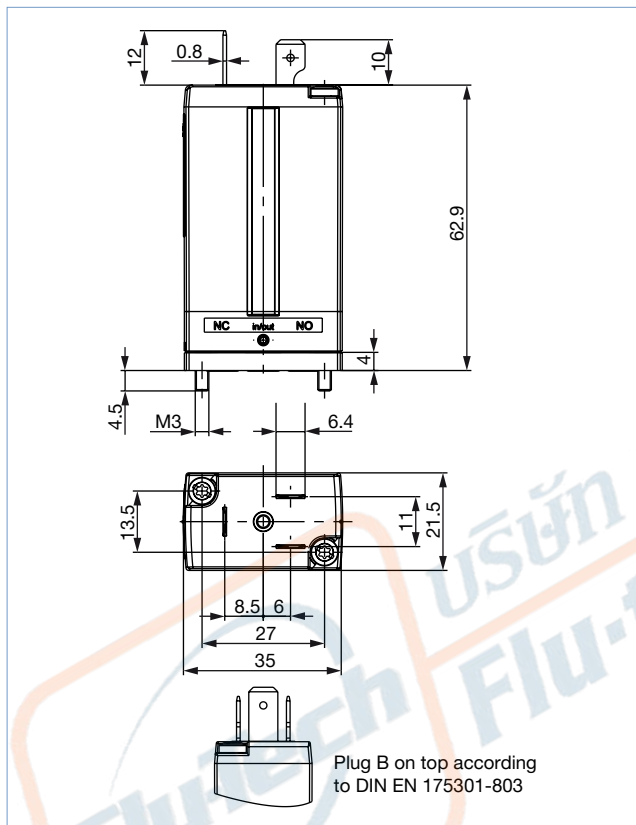
DTS 1000170656 EN Version: RL (released | freigegeben | validé) printed: 04.05.2022

5. Dimensions

5.1. Flange version with connector plug Form B

Note:

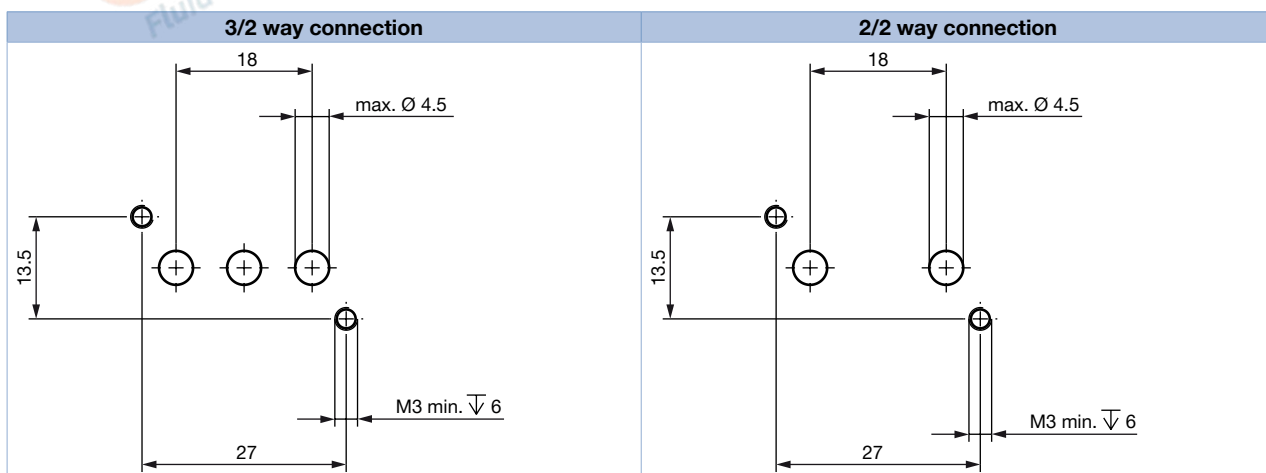
Dimensions in mm



5.2. Bürkert flange interface (22 x 35 mm)

Note:

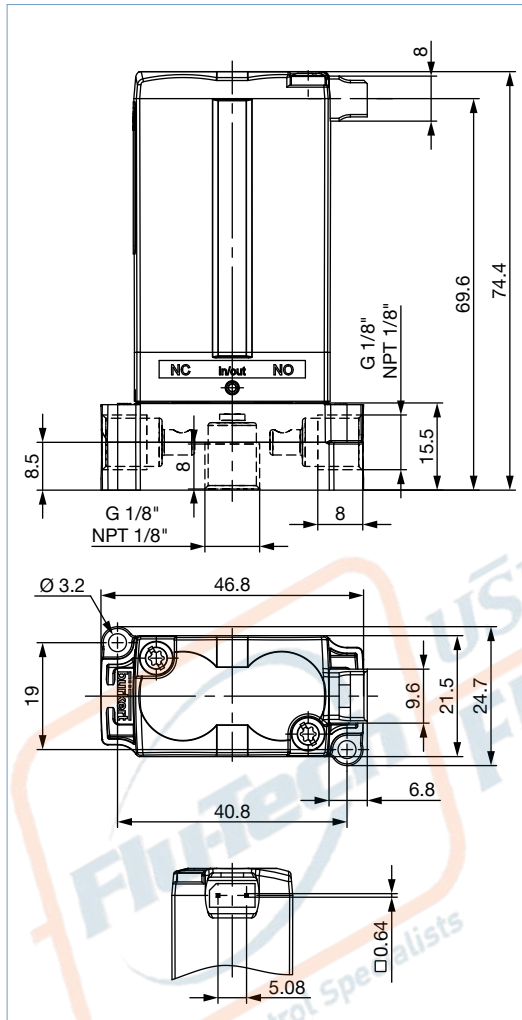
Dimensions in mm



5.3. Threaded version with rectangular plug Type 2505

Note:

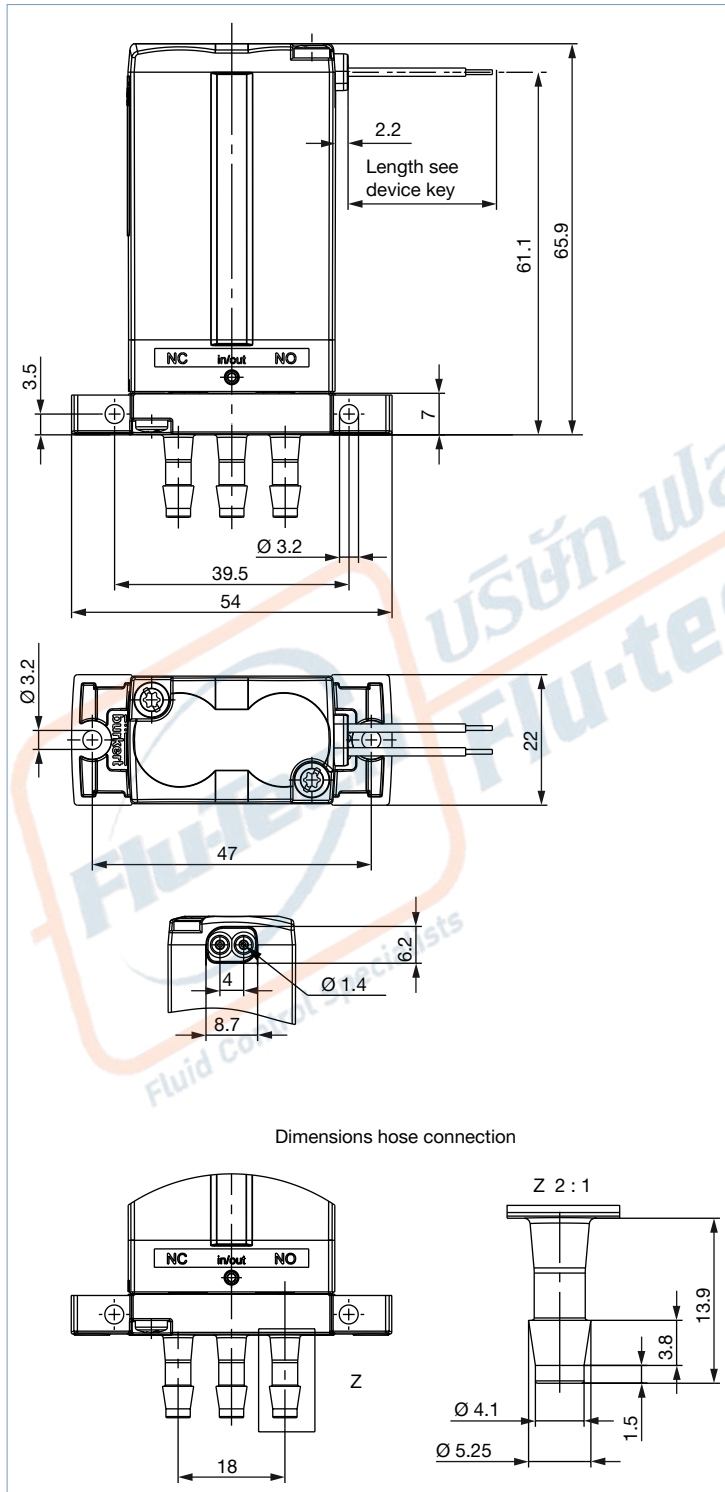
Dimensions in mm



5.4. Hose connector with flying leads

Note:

Dimensions in mm

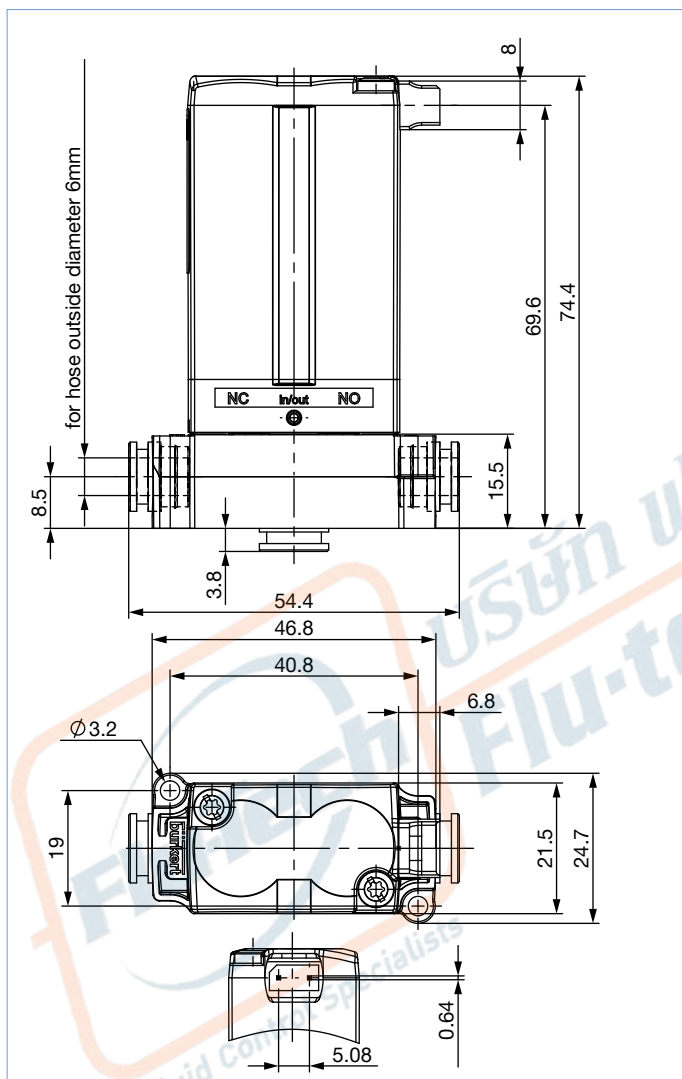


DTS 1000170656 EN Version: | Status: RL (released | freigegeben | validé) printed: 04.05.2022

5.5. Hose connector with rectangular plug Type 2505


Note:

Dimensions in mm



6. Ordering information

6.1. Bürkert eShop – Easy ordering and quick delivery




Bürkert eShop – Easy ordering and fast delivery

You want to find your desired Bürkert product or spare part quickly and order directly? Our online shop is available for you 24/7. Sign up and enjoy all the benefits.

Order online now

6.2. Bürkert product filter



Bürkert product filter – Get quickly to the right product


You want to select products comfortably based on your technical requirements? Use the Bürkert product filter and find suitable articles for your application quickly and easily.

Try out our product filter

6.3. Ordering chart

Note:

- Other versions on request.
- 2 x fixing screws M3 x 65 for flange versions are included in the delivery.
- Connectors for rectangular plug and tag connector Form B are not included in the delivery and must be ordered separately, see “6.4. Ordering chart accessories” on page 12

Circuit function	Orifice	Port connection	K _v value water ¹⁾	Q _{Nm} value air ²⁾	Pressure range	Max. pressure difference	Seal material	Fluid body material	Electrical connection	Voltage/ Frequency	Article no.	
	[mm]									[m ³ /h]		[l/min]
A, solenoid valve 2/2 way Direct-acting Normally closed 	2	Bürkert flange	0.10	110	Vac...5	5	EPDM	PPS	Flying leads, 0.5 m	24/DC	251614 ☒	
									Rectangular plug		250857 ☒	
							FFKM	PEEK	Flying leads, 0.5 m	24/DC	234350 ☒	
									Rectangular plug		235315 ☒	
							FKM	PPS	Flying leads, 0.5 m	24/DC	251620 ☒	
									Rectangular plug		251618 ☒	
	3	Bürkert flange	0.17	180	Vac...3	3	EPDM	PPS	Flying leads, 0.5 m	12/DC 24/DC	241727 ☒	
									Rectangular plug		242030 ☒	
									Plug Form B		246199 ☒ 251643 ☒	
							FFKM	PEEK	Flying leads, 0.5 m	12/DC 24/DC	235316 ☒	
									Rectangular plug		230304 ☒ 235317 ☒	
									Plug Form B		246382 ☒	
							FKM	PPS	Flying leads, 0.5 m	12/DC 24/DC	251624 ☒	
									Rectangular plug		248017 ☒ 238616 ☒	
							EPDM	PEEK	Flying leads, 0.5 m	12/DC 24/DC	300356 ☒	
									Plug Form B		251644 ☒	
FFKM	PPS	Flying leads, 0.5 m	12/DC 24/DC	235319 ☒								
		Plug Form B		242340 ☒ 238615 ☒								
FKM	PEEK	Flying leads, 0.5 m	12/DC 24/DC	251650 ☒								
		Rectangular plug		251613 ☒								
		Plug Form B		235318 ☒ 251628 ☒								
Push-in connector	Hose connector	0.17	180	Vac...3	3	EPDM	PPS	Flying leads, 0.5 m	12/DC 24/DC	251650 ☒		
								FFKM		PEEK	Rectangular plug	251613 ☒
											Plug Form B	235318 ☒
FKM	PEEK	Flying leads, 0.5 m	12/DC 24/DC	251628 ☒								
		Rectangular plug		235318 ☒								

DTS 1000170656 EN Version: I Status: RL (released | freigegeben | valide) printed: 04.05.2022

Circuit function	Orifice	Port connection	K _v value water ^{1.)} [m ³ /h]	Q _{Nn} value air ^{2.)} [l/min]	Pressure range [bar]	Max. pressure difference [bar]	Seal material	Fluid body material	Electrical connection	Voltage/ Frequency	Article no.
	[mm]									[V/Hz]	
B, solenoid valve 2/2 way Direct-acting Normally open 	3	Bürkert flange	0.17	180	Vac...3	3	FFKM	PEEK	Flying leads, 0.5 m	24/DC	251686 ☒
T, solenoid valve 3/2 way Direct-acting Flow direction optional Normally closed 	2	Bürkert flange	0.10	110	Vac...5	5	EPDM	PPS	Flying leads, 0.5 m	24/DC	241889 ☒
									Rectangular plug		250859 ☒
							FFKM	PEEK	Flying leads, 0.5 m	24/DC	234340 ☒
			Rectangular plug	235320 ☒							
	3	Bürkert flange	0.17	180	Vac...2	2	EPDM	PPS	Flying leads, 0.5 m	12/DC	241726 ☒
									Rectangular plug		245256 ☒
									Plug Form B	251616 ☒	
										251645 ☒	
							FFKM	PEEK	Flying leads, 0.5 m	12/DC	235321 ☒
									Rectangular plug		230305 ☒
										24/DC	235322 ☒
							FKM	PPS	Flying leads, 0.5 m		251633 ☒
									Rectangular plug	251635 ☒	
								Plug Form B	251634 ☒		
			251684 ☒								
EPDM	PEEK	Flying leads, 0.5 m	12/DC	245205 ☒							
		Plug Form B		251647 ☒							
FFKM		Flying leads, 0.5 m	24/DC	235325 ☒							
		Plug Form B		251638 ☒							
			251649 ☒								
			251685 ☒								
EPDM	PEEK	G 1/8"						Flying leads, 0.5 m	24/DC	251617 ☒	
											235323 ☒
											251637 ☒

1.) Flow rate value for water, measured at +20 °C, 1 bar to atmospheric pressure at the valve inlet and free outlet.
 2.) Measured at +20 °C, 6 bar pressure at valve inlet and 1 bar pressure difference.

Further versions on request	
Electrical connection <ul style="list-style-type: none"> Cable plug connection acc. to Form B (Industrial standard) Flying leads 	Material Other body and seal materials on request

DTS 1000170656 EN Version: I Status: RL (released | freigegeben | validé) printed: 04.05.2022









6.4. Ordering chart accessories

Rectangular cable plug Type 2505

Note:

For further rectangular cable plug versions see separate data sheet **Type 2505** ▶

Accessories	Description	Article no.
	Rectangular cable plug Type 2505 with 3 m cable	252572 
	Rectangular cable plug Type 2505 with 5 m cable	255194 
	Rectangular cable plug Type 2505 with 300 mm flying leads	644068 
	Rectangular cable plug Type 2505 with 600 mm flying leads	162144 

Cable plug Type 2507 acc. to Industrial standard Form B

Note:

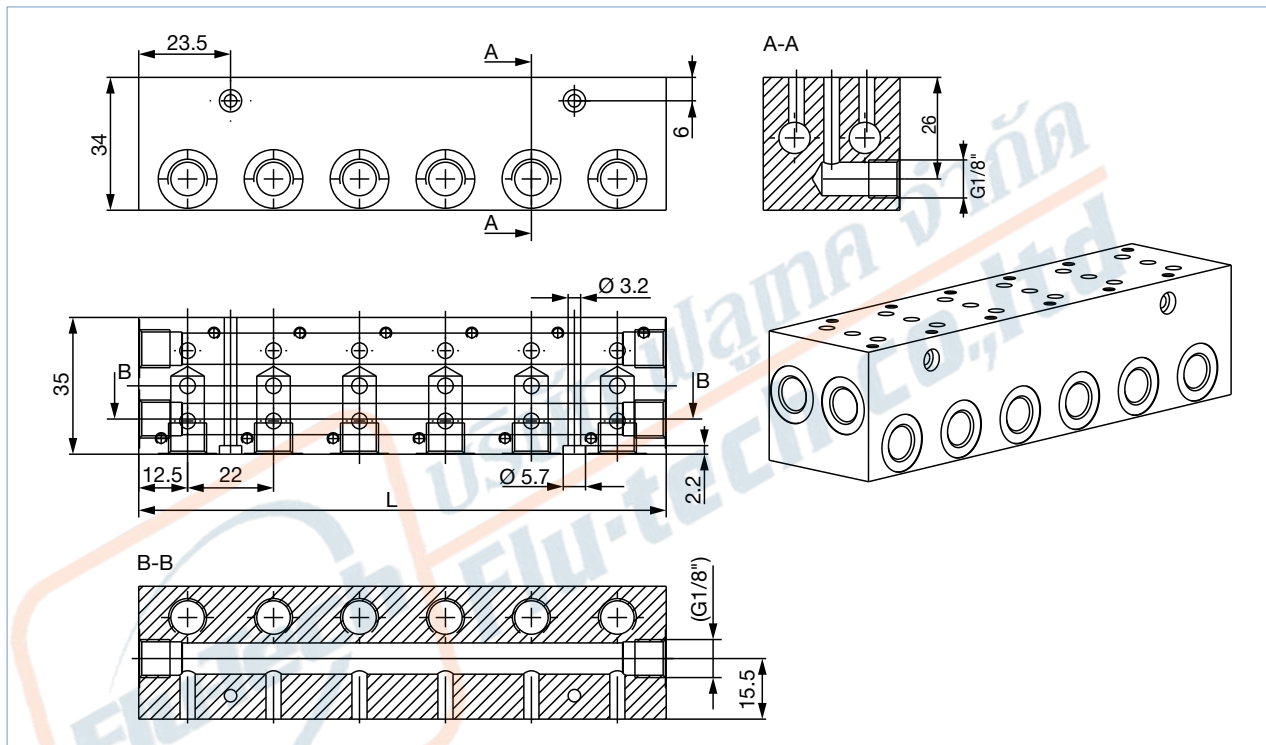
For further cable plug versions see separate data sheet **Type 2507** ▶

	Description	Article no.
	Cable plug Type 2507 according to Industrial standard Form B, without circuitry, 0...250 V AC/DC	423845 
	Cable plug Type 2507 according to Industrial standard Form B, with LED, 24 V AC/DC	423849 

Multiple manifolds for Bürkert flange interface 3 way

Note:

- Dimensions in mm
- Port connection G 1/8"
- Beware of screw protrusion!
- Material anodized aluminium (black)
- Other versions on request



Manifold	L [mm]	Article no.
2-fold	47	669571
3-fold	69	672633
4-fold	91	669572
5-fold	113	672661
6-fold	135	669570
10-fold	223	672660

DTS 1000170656 EN Version: | Status: RL (released | freigegeben | validé) printed: 04.05.2022

