



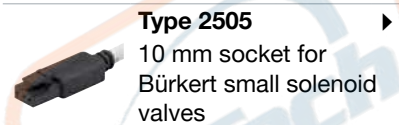
2/2 way and 3/2 way Bürkert TwinPower rocker solenoid valve with separating diaphragm

- For highest chemical resistance requirements
- Ultra compact design due to Bürkert TwinPower actuator with 16 mm width/station
- DN 2.0 (3 bar) and DN 3.0 (2 bar)
- Integrated hit-and-hold electronics assembly
- High back-pressure tightness with excellent cleanability



Product variants described in the data sheet may differ from the product presentation and description.

Can be combined with



Type 2505 ▶
10 mm socket for
Bürkert small solenoid
valves

Type description

From the fluidics perspective, Type 6626 combines the reliable and successful rocker principle. Due to the new Bürkert TwinPower concept, this actuator enables drastic reduction of installation space while maintaining performance output. Hence, the 16 mm wide medium separated rocker valve, with 3.0 mm DN and a pressure resistance of 2 bar, provides the same performance as a traditional 22 mm valve. In addition, the integrated power reduction decreases energy consumption by 75 %. In combination with other design features, the heat transfer into the medium can be reduced to a minimum. With regard to the design, special attention has been placed on excellent cleanability and high reliability. By using high quality materials, Type 6626 is also ideal for handling aggressive medium. The valve is available as a 2/2 way and 3/2 way version.

Table of contents

| | |
|--|-----------|
| 1. General technical data | 3 |
| 2. Product versions | 4 |
| 3. Circuit functions | 4 |
| 4. Materials | 5 |
| 4.1. Chemical Resistance Chart – Bürkert resistApp..... | 5 |
| 4.2. Material specifications | 5 |
| 5. Dimensions | 6 |
| 5.1. Flange version..... | 6 |
| 5.2. Bürkert flange interface (16 x 46 mm)..... | 7 |
| 5.3. Tube connector version with flying leads..... | 8 |
| 5.4. Threaded version with flying leads | 9 |
| 6. Ordering information | 10 |
| 6.1. Bürkert eShop – Easy ordering and quick delivery..... | 10 |
| 6.2. Bürkert product filter..... | 10 |
| 6.3. Ordering chart..... | 10 |
| 6.4. Ordering chart accessories..... | 12 |
| Rectangular cable plug Type 2505 | 12 |



1. General technical data

| Product properties | |
|---|--|
| Dimensions | Detailed information can be found in chapter "5. Dimensions" on page 6. |
| Material | |
| Seal | FFKM, FKM or EPDM |
| Fluid body | PEEK or PPS |
| Internal volume | Bürkert flange: from 550 µl Tube connector: from 1100 µl Threaded body: from 600 µl |
| Nominal diameter | DN 2.0 (Vac ^{1.)} ...3 bar DN 3.0 (Vac ^{1.)} ...2 bar |
| Switching function | Detailed information can be found in chapter "3. Circuit functions" on page 4. |
| Electrical data | |
| Operating voltage ^{2.)} | 12 V DC, 24 V DC |
| Voltage tolerance ^{3.)} | 12 V DC + 10 % / - 5 % 24 V DC ± 10 % |
| Switching frequency ^{4.)} | Max. 2 Hz |
| Nominal power | 13.6 W inrush power 3.4 W nominal holding power (internal power reduction) |
| Performance data | |
| Duty cycle | 100 % continuous rating |
| Switching times ^{5.)} | Opening: ca. 10 ms (pressure rise 0...10 %) Closing: ca. 15 ms (pressure drop 100...90 %) |
| Medium data | |
| Operating medium | Resistant to neutral and aggressive liquids and gases, see chapter "4.1. Chemical Resistance Chart – Bürkert resistApp" on page 5 |
| Medium temperature | FFKM: + 15 °C...+ 50 °C FKM: - 10 °C...+ 50 °C EPDM: - 10 °C...+ 50 °C (for orifice DN 2.0) + 5 °C...+ 50 °C (for orifice DN 3.0) |
| Process/Port connection & communication | |
| Port connection | Bürkert Flange (16 x 46 mm) Tube connection UNF 5/16"...24 G 1/8" |
| Electrical connection | PFA single leads, 0.5 mm ² , AWG 20, length 300 mm Rectangular plug Type 2505 ▶ |
| Environment and installation | |
| Installation position | As required, preferably with actuator upright |
| Degree of protection | IP40 with flying leads IP30 with rectangular plug Type 2505 ▶ |
| Ambient temperature | FFKM: + 15 °C...+ 55 °C FKM: - 10 °C...+ 55 °C EPDM: - 10 °C...+ 55 °C (for orifice DN 2.0) + 5 °C...+ 55 °C (for orifice DN 3.0) |
| Minimum bending radius for flying leads version | Single bending: 8 mm Multiple bending: 13 mm |

1.) Technical vacuum (-0.8 bar) at NC or NO; connection at valve output (COM/OUT) only after consultation.

2.) Battery voltage, observe polarity (Flying leads version: red = +, black = -)

3.) Max. allowed ripple

4.) With ambient temperature of 20 °C

5.) Measurement at the valve outlet at 2 bar and 20 °C according to DIN ISO 12238:2001

Visit product website ▶

3 | 13

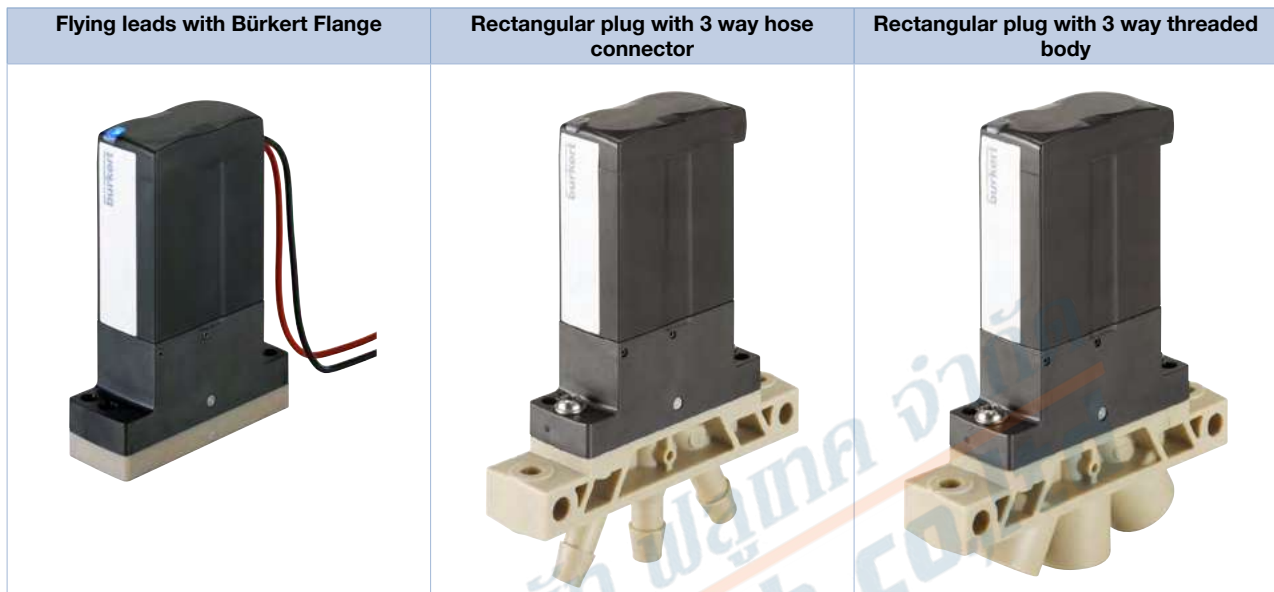


บริษัท ฟลูเทค จำกัด
FLU-TECH CO.,LTD

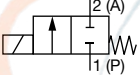
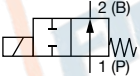
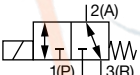
845/3-4 หมู่ 3 ถ.เทพารักษ์ ต.เทพารักษ์ อ.เมือง จ.สมุทรปราการ 10270

845/3-4 Thepharak RD., T.Thepharak, A.Muang, Samutprakarn 10270 THAILAND
Tel. 0 2384 6060, Fax 0 2384 5701, Email : sales@flutech.co.th, www.flutech.co.th

2. Product versions




3. Circuit functions

| Circuit functions | Description |
|---|--|
|  | Type: A, solenoid valve 2/2 way Direct-acting Normally closed |
|  | Type: B, solenoid valve 2/2 way Direct-acting Normally open |
|  | Type: T, solenoid valve 3/2 way Direct-acting Flow direction optional Normally closed |

4. Materials

4.1. Chemical Resistance Chart – Bürkert resistApp

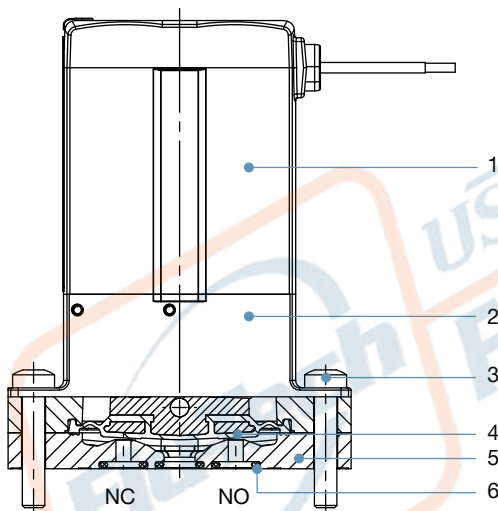


Bürkert resistApp – Chemical Resistance Chart

You want to ensure the reliability and durability of the materials in your individual application case? Verify your combination of media and materials on our website or in our resistApp.

[Start Chemical Resistance Check](#)

4.2. Material specifications



| No. | Element | Material |
|-----|--------------------------------------|-------------------|
| 1 | Coil | Epoxy |
| 2 | Valve body | PPS |
| 3 | Mounting screw M3 | Stainless steel |
| 4 | Diaphragm (in contact with medium) | FFKM, FKM or EPDM |
| 5 | Fluid body (in contact with media) | PEEK or PPS |
| 6 | Flange seal (in contact with medium) | FFKM, FKM or EPDM |

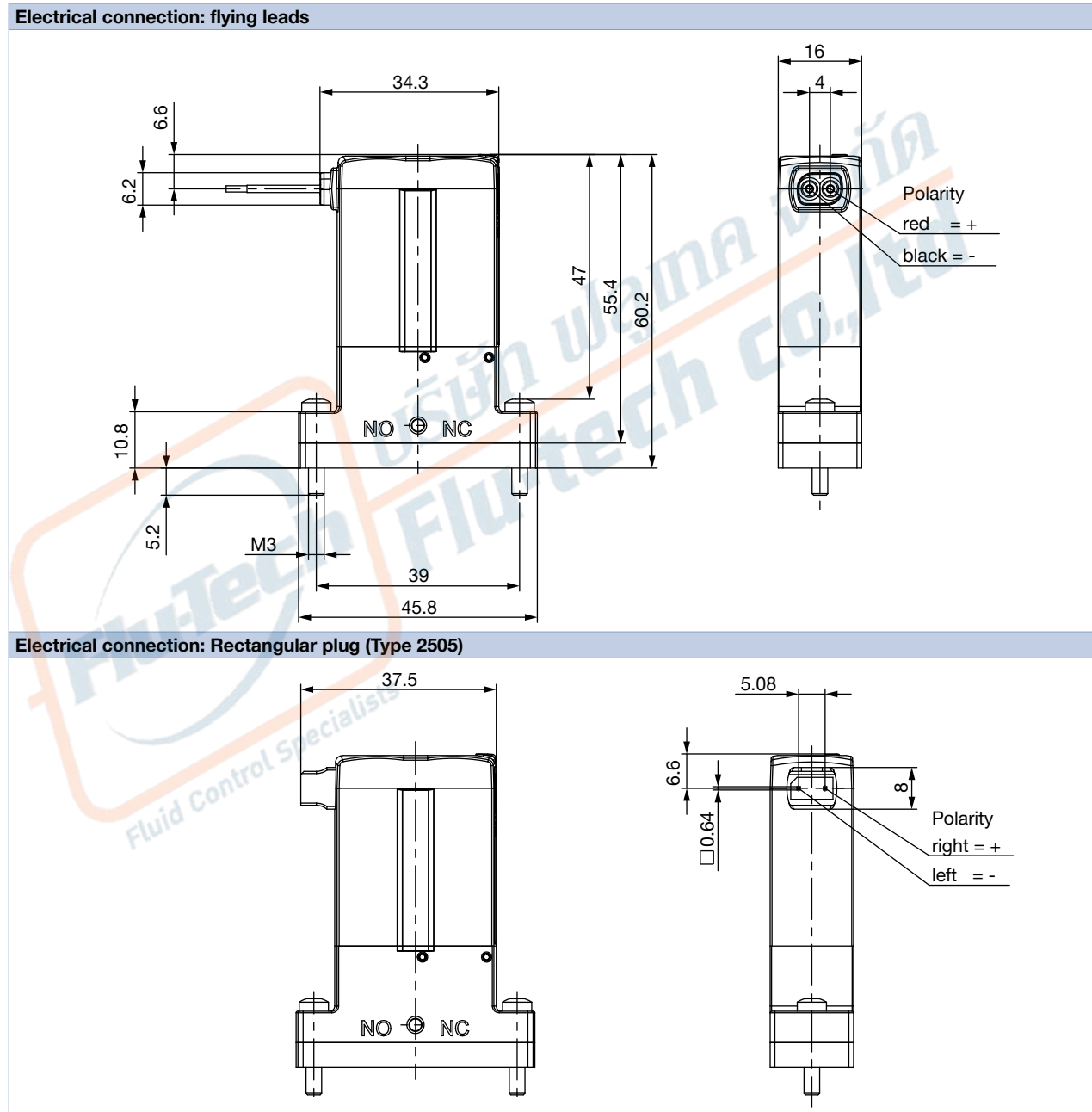
DTS 1000169436 EN Version: F Status: RL (released | freigegeben | validé) printed: 27.10.2020

5. Dimensions

5.1. Flange version

Note:

- Observe polarity!
- Dimensions in mm

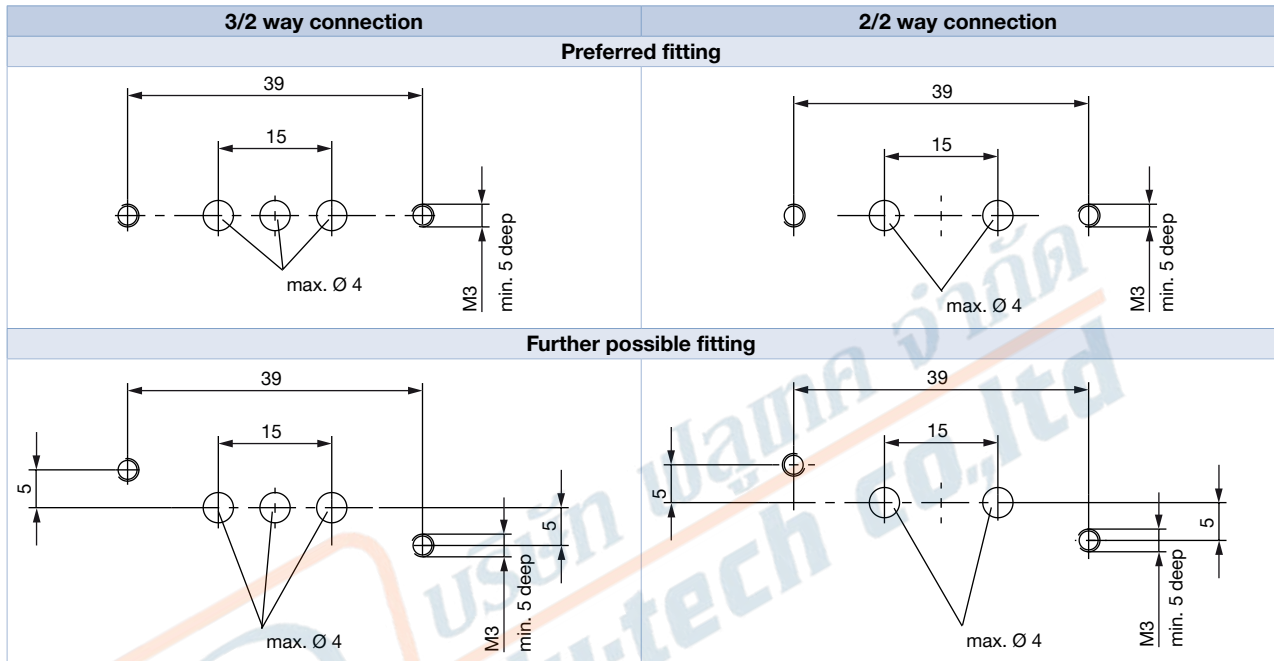


DTS 1000169436 EN Version: F Status: RL (released | freigegeben | validé) printed: 27.10.2020

5.2. Bürkert flange interface (16 x 46 mm)

Note:

Dimensions in mm

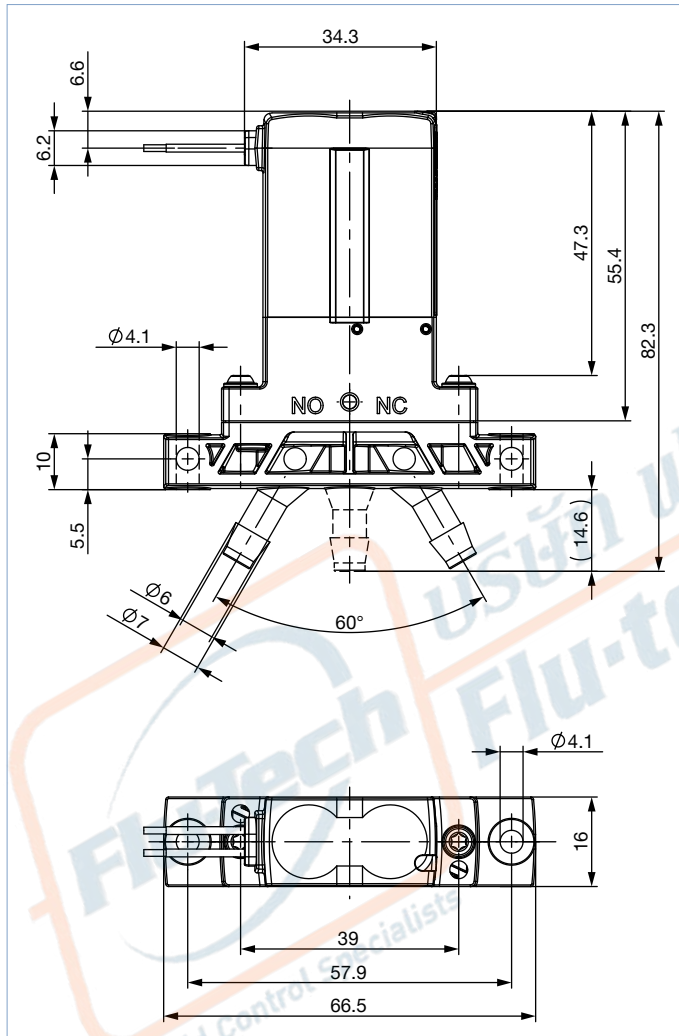


DTS 1000169436 EN Version: F Status: RL (released | freigegeben | validé) printed: 27.10.2020

5.3. Tube connector version with flying leads

Note:

Dimensions in mm

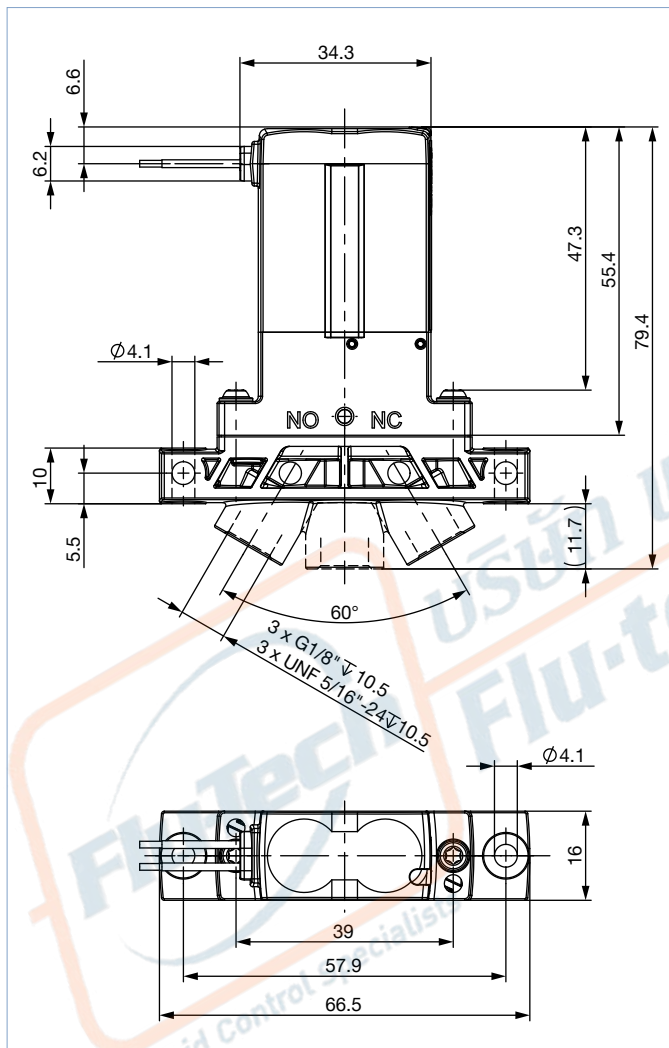


DTS 1000169436 EN Version: RL (released | freigegeben | validé) printed: 27.10.2020

5.4. Threaded version with flying leads


Note:

Dimensions in mm



6. Ordering information

6.1. Bürkert eShop – Easy ordering and quick delivery




Bürkert eShop – Easy ordering and fast delivery

You want to find your desired Bürkert product or spare part quickly and order directly? Our online shop is available for you 24/7. Sign up and enjoy all the benefits.

Order online now

6.2. Bürkert product filter



Bürkert product filter – Get quickly to the right product

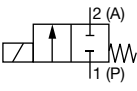
You want to select products comfortably based on your technical requirements? Use the Bürkert product filter and find suitable articles for your application quickly and easily.

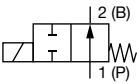
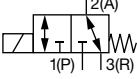
Try out our product filter

6.3. Ordering chart

Note:

- Other versions on request
- 2 x fixing screws M3 x 16 for flange versions are included in the delivery.
- Connectors for rectangular plugs are not included in the delivery and must be ordered separately, see “6.4. Ordering chart accessories” on page 12

| Circuit functions | Orifice | Port connection | K _v value water ¹⁾ | Pressure range ²⁾ | Max. pressure difference ²⁾ | Seal material | Fluid body material | Electrical connection | Voltage/Frequency | Article no. |
|--|----------------|-----------------|--|------------------------------|--|---------------|-----------------------|-----------------------|-------------------|-------------|
| | [mm] | | | [bar] | [bar] | | | | [V/Hz] | |
| A, solenoid valve 2/2 way Direct-acting Normally closed  | 2.0 | Bürkert flange | 0.10 | Vac...3 | 3 | EPDM | PPS | Rectangular plug | 12/DC | 247769 ☒ |
| | | | | (Vac...5) | (5) | | | | 24/DC | 247771 ☒ |
| | | | | Vac...3 | 3 | FFKM | PEEK | Flying leads 0.3 m | 12/DC | 247775 ☒ |
| | | | | (Vac...4) | (4) | FKM | PPS | | 24/DC | 247786 ☒ |
| | | | | Vac...3 | 3 | FFKM | PEEK | Rectangular plug | | 251709 ☒ |
| | | | | (Vac...4) | (4) | FKM | | | | 252770 ☒ |
| | 3.0 | Bürkert flange | 0.19 | Vac...2 | 2 | EPDM | PPS | Rectangular plug | 24/DC | 247797 ☒ |
| | | | | | | FFKM | PEEK | | | 238530 ☒ |
| | | | | | | FKM | PPS | Flying leads 0.3 m | 12/DC | 247816 ☒ |
| | | | | | | FFKM | PEEK | | 24/DC | 247819 ☒ |
| | | | | | | FKM | | | 251711 ☒ | |
| | | | | | | | | | 252771 ☒ | |
| UNF 5/16" ...24 | Tube connector | 0.15 | 0.19 | | EPDM | | Rectangular plug | | 252772 ☒ | |
| | | | | | FFKM | | | | 247789 ☒ | |
| | | | | | FKM | | Flying leads 0.3 m | | 228642 ☒ | |
| | | | | | FKM | | | | 247810 ☒ | |

| Circuit functions | Orifice | Port connection | K _v value water ^{1.)} | Pressure range ^{2.)} | Max. pressure difference ^{2.)} | Seal material | Fluid body material | Electrical connection | Voltage/ Frequency | Article no. |
|---|---------|-----------------------|---|-------------------------------|---|---------------|---------------------|-----------------------|-----------------------|-----------------------|
| | [mm] | | | | | | | | [m ³ /h] | |
| B, solenoid valve 2/2 way Direct-acting Normally open  | 2.0 | Bürkert flange | 0.10 | Vac...3 | 3 | FFKM | PEEK | Flying leads 0.3 m | 24/DC | 252773 ☒ |
| | 3.0 | Bürkert flange | 0.19 | Vac...2 | 2 | FFKM | PEEK | Flying leads 0.3 m | 24/DC | 242597 ☒ |
| | | | | | | | | Rectangular plug | | |
| T, solenoid valve^{3.)} 3/2 way Direct-acting Flow direction optional Normally closed  | 2.0 | Bürkert flange | 0.10 | Vac...3 (Vac...5) | 3 (5) | EPDM | PPS | Rectangular plug | 24/DC | 247826 ☒ |
| | | | | | | | | FFKM | PEEK | Flying leads 0.3 m |
| | | | | | | FKM | PPS | | | Rectangular plug |
| | | | | | | | | FFKM | PEEK | Flying leads 0.3 m |
| | | | | | | FKM | PEEK | | | Rectangular plug |
| | | | | | | | | FKM | PEEK | Flying leads 0.3 m |
| | 3.0 | Bürkert flange | 0.19 | Vac...2 | 2 | EPDM | PPS | | | Rectangular plug |
| | | | | | | | | FFKM | PEEK | Flying leads 0.3 m |
| | | | | | | FKM | PPS | | | Rectangular plug |
| | | | | | | | | FKM | PPS | Flying leads 0.3 m |
| | | | | | | EPDM | PEEK | | | Rectangular plug |
| | | | | | | | | FFKM | PEEK | Flying leads 0.3 m |
| | | | | | | FKM | PEEK | | | Rectangular plug |
| FKM | PEEK | Flying leads 0.3 m | 24/DC | 251715 ☒ | | | | | | |
| | | FKM | PEEK | Rectangular plug | 24/DC | 247872 ☒ | | | | |
| EPDM | PEEK | | | Rectangular plug | 24/DC | 247844 ☒ | | | | |
| | | FFKM | PEEK | Flying leads 0.3 m | 24/DC | 247859 ☒ | | | | |
| FFKM | PEEK | | | Rectangular plug | 24/DC | 247858 ☒ | | | | |
| | | FKM | PEEK | Flying leads 0.3 m | 24/DC | 247869 ☒ | | | | |
| FKM | PEEK | | | Rectangular plug | 24/DC | 247869 ☒ | | | | |

1.) Flow rate value for water, measured at +20 °C, 1 bar to atmospheric pressure at the valve inlet and free outlet

2.) Values in brackets are only valid for gaseous media




3.) Technical vacuum (-0.8 bar) at NC or NO; connection at valve output (COM/OUT) only after consultation

6.4. Ordering chart accessories

Rectangular cable plug Type 2505

Note:

For further versions see data sheet **Type 2505** ▶.

| Accessories | Description | Article no. |
|---|---|-------------|
|  | Rectangular cable plug Type 2505 with 3 m cable | 252572 ☒ |
| | Rectangular cable plug Type 2505 with 5 m cable | 255194 ☒ |
|  | Rectangular cable plug Type 2505 with 300 mm flying leads | 644068 ☒ |
| | Rectangular cable plug Type 2505 with 600 mm flying leads | 162144 ☒ |
|  | Rectangular plug, single contacts for individual mounting | 644067 ☒ |