



2/2 and 3/2 way Bürkert TwinPower Rocker-Solenoid Valve with separating diaphragm

- For highest chemical resistance requirements
- Ultra compact design due to Bürkert Twinpower actuator with 10.3 mm width
- DN 0.8 (5 bar) and DN 1.6 (2 bar)
- Integrated hit and hold electronic
- High back pressure tightness with excellent cleanability



Product variants described in the data sheet may differ from the product presentation and description.

Can be combined with



Type 2505 ▶
10 mm socket for
Bürkert small solenoid
valves

Type description

Type 6624 combines the reliable and successful Rocker principle with a highly innovative new actuator. The Bürkert TwinPower concept of this actuator reduces the size greatly without loss in performance. Hence the 10 mm wide medium isolated rocker valve, 6624, with a 1.6 mm orifice and a pressure resistance of 2 bar, provides the same performance as a traditional 16 mm valve. In addition, the integrated power reduction decreases the energy consumption by 75%. In combination with other design features the heat transfer into the medium can be reduced to a minimum. In the design of the 6624, the main benefits lie in its excellent cleanability and a high reliability. By using high performance materials the 6624 suits the handling of aggressive medium perfectly. The valve is available in a 2-way and 3-way version.

Table of contents

1. General technical data	3
2. Product versions	4
3. Circuit functions	4
4. Materials	5
4.1. Chemical Resistance Chart – Bürkert resistApp.....	5
4.2. Material specifications	5
5. Dimensions	6
5.1. Flange version.....	6
5.2. Bürkert flange interface (10 x 30 mm).....	7
5.3. Tube connector version with flying leads.....	7
5.4. UNF ¼"-28 version with flying leads.....	8
6. Ordering information	8
6.1. Bürkert eShop – Easy ordering and quick delivery.....	8
6.2. Bürkert product filter.....	8
6.3. Ordering chart.....	9
6.4. Ordering chart accessories.....	11
Rectangular plug Type 2505.....	11
Further accessories	11



1. General technical data

Product properties	
Dimensions	Detailed information can be found in chapter "5. Dimensions" on page 6.
Material	
Seal	FFKM, FKM or EPDM
Fluid body	PEEK or PPS
Internal volume	Bürkert flange: from 110 µl Tube connector: from 285 µl UNF ¼"-28: from 115 µl
Nominal diameter	DN 0.8 (Vac ^{1.)} ...5 bar DN 1.6 (Vac ^{1.)} ...2 bar
Switching function	Detailed information can be found in chapter "3. Circuit functions" on page 4.
Electrical data	
Operating voltage ^{2.)}	12 V DC, 24 V DC
Voltage tolerance ^{3.)}	12 V DC +10 % / -5 % 24 V DC ±10 %
Switching frequency ^{4.)}	Max. 5 Hz
Nominal power consumption	4 W inrush power 1 W nominal holding power (internal power reduction)
Performance data	
Duty cycle	100 % continuous rating
Switching times ^{3.)}	Opening: ca. 10 ms (Pressure rise 0...10 %) Closing: ca. 13 ms (Pressure drop 100...90 %)
Medium data	
Operating medium	Resistant to neutral and aggressive liquids and gases; see chapter "4.1. Chemical Resistance Chart – Bürkert resistApp" on page 5)
Medium temperature	FFKM: +15 °C...+50 °C FKM: -10 °C...+50 °C EPDM: -10 °C...+50 °C (for orifice DN 0.8) +5 °C...+50 °C (for orifice DN 1.6)
Process/Port connection & communication	
Port connection	Bürkert Flange (10 x 30 mm) Tube connection UNF ¼"-28
Electrical connection	PFA single leads, 0.5 mm ² , AWG 20, length 300 mm Rectangular plug Type 2505 ▶
Environment and installation	
Installation	As required, preferably with actuator upright
Degree of protection	IP40 with flying leads IP30 with rectangular plug Type 2505 ▶
Ambient temperature	FFKM: +15 °C...+55 °C FKM: -10 °C...+55 °C EPDM: -10 °C...+55 °C (for orifice DN 0.8) +5 °C...+55 °C (for orifice DN 1.6)
Minimum bending radius for flying leads version	Single bending: 8 mm Multiple bending: 13 mm

1.) Technical vacuum (-0.8 bar) at NC or NO; connection at valve output (COM/OUT) only after consultation

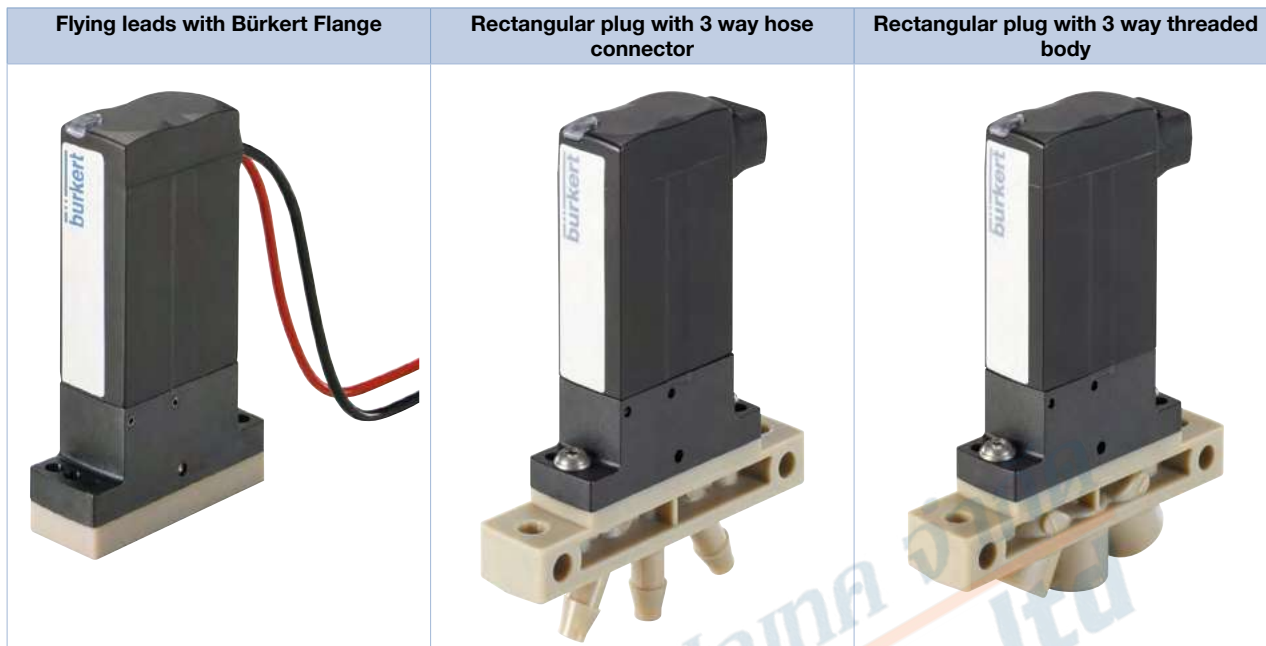
2.) Battery voltage, observe polarity (Flying leads version: red = +, black = -)

3.) Max. allowed ripple

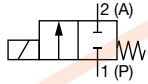
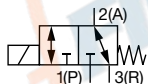
4.) With ambient temperature of 20 °C

5.) Measurement at the valve outlet at 2 bar and 20 °C according to DIN ISO 12238:2001

2. Product versions




3. Circuit functions

Circuit functions	Description
	<p>Type: A, solenoid valve 2/2 way Direct-acting Normally closed</p>
	<p>Type: B, solenoid valve 2/2 way Direct-acting Normally open</p>
	<p>Type: T, solenoid valve 3/2 way Direct-acting Flow direction optional Normally closed</p>

DTS 1000155774 EN Version: J Status: RL (released | freigegeben | validé) printed: 27.10.2020

4. Materials

4.1. Chemical Resistance Chart – Bürkert resistApp

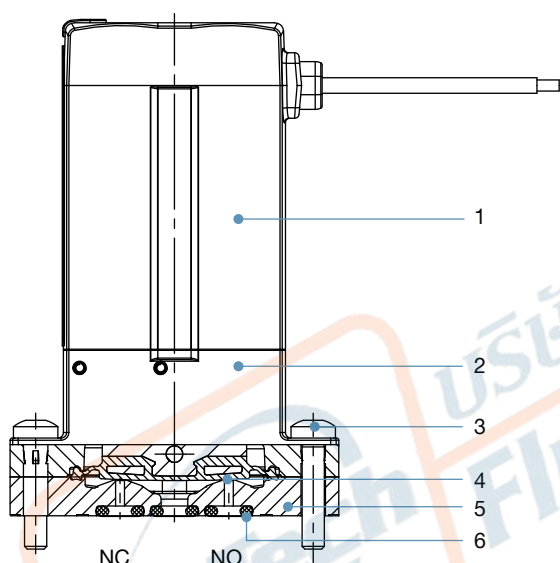


Bürkert resistApp – Chemical Resistance Chart

You want to ensure the reliability and durability of the materials in your individual application case? Verify your combination of media and materials on our website or in our resistApp.

[Start Chemical Resistance Check](#)

4.2. Material specifications



No.	Element	Material
1	Coil	Epoxy
2	Valve body	PPS
3	Mounting screw M2	Stainless steel
4	Diaphragm (in contact with medium)	FFKM, FKM or EPDM
5	Fluid body (in contact with media)	PEEK or PPS
6	Flange seal (in contact with medium)	FFKM, FKM or EPDM

DTS 1000155774 EN Version: J Status: RL (released | freigegeben | validé) printed: 27.10.2020

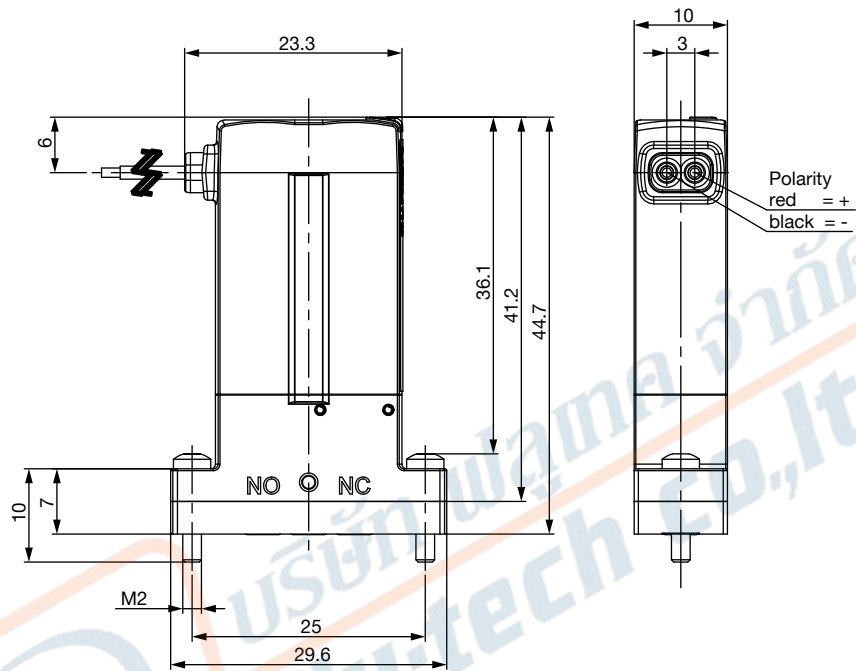
5. Dimensions

5.1. Flange version

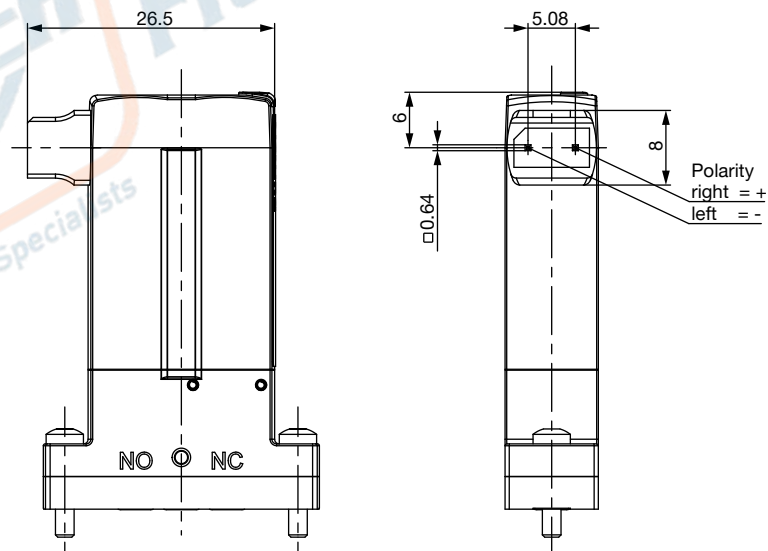
Note:

- Observe polarity!
- Dimensions in mm

Electrical connection: flying leads



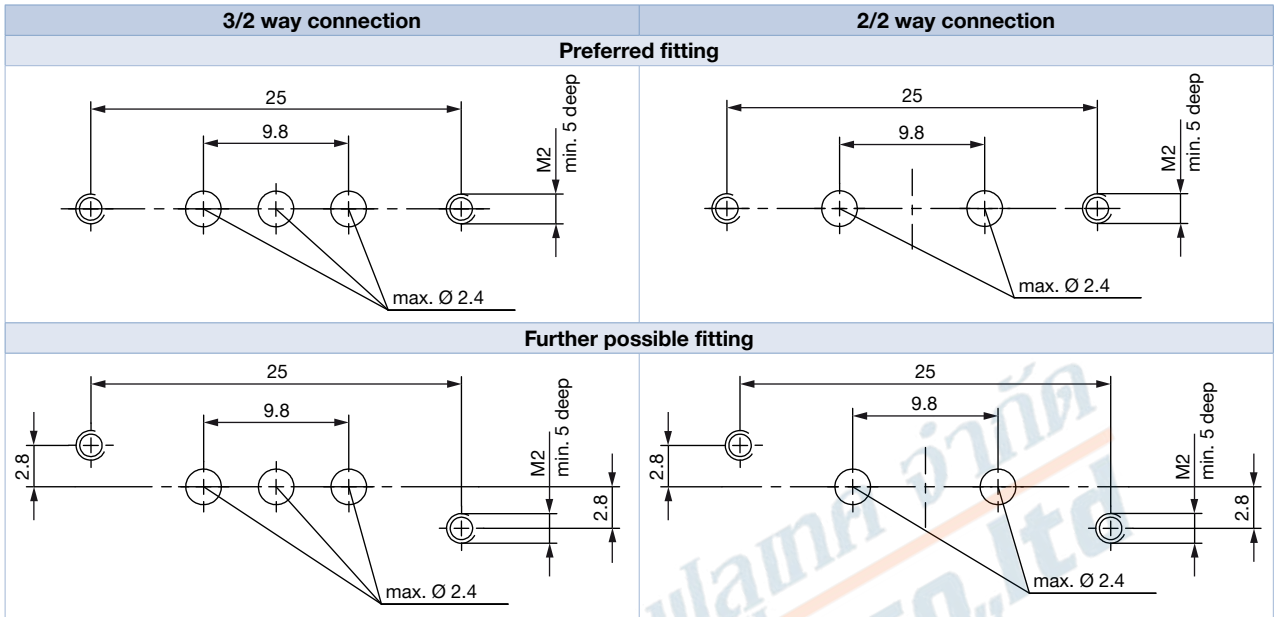
Electrical connection: Rectangular plug (Type 2505)



5.2. Bürkert flange interface (10 x 30 mm)

Note:

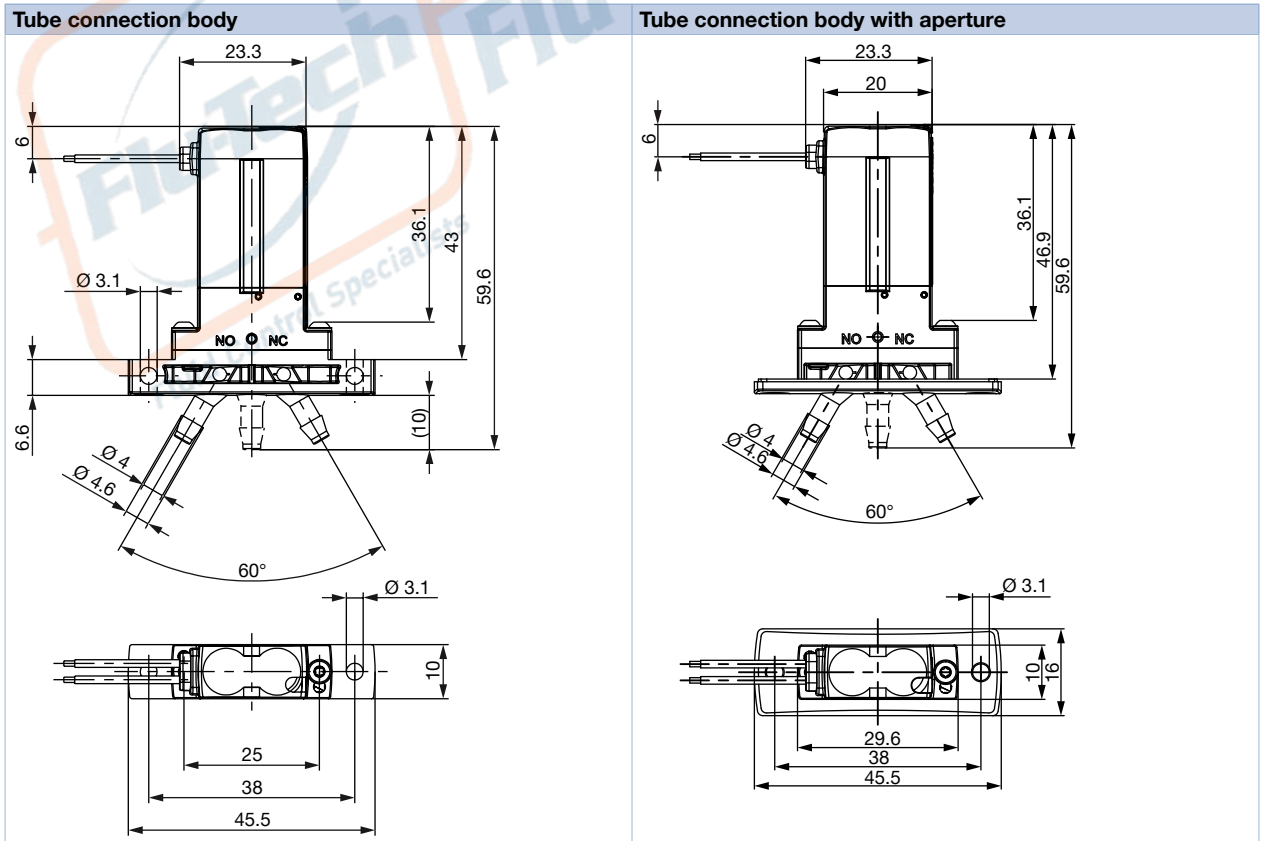
Dimensions in mm



5.3. Tube connector version with flying leads

Note:

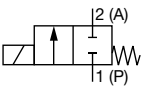
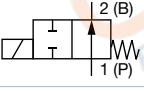
Dimensions in mm



6.3. Ordering chart

Note:

- Other versions on request
- 2 x fixing screws M2 x 10 for flange versions are included in delivery
- Connectors for rectangular plugs are not included in the scope of delivery and must be ordered separately, see "6.4. Ordering chart accessories" on page 11

Circuit functions	Orifice	Port connection	K _v value water ^{1,2}	Pressure range	Max. pressure difference	Seal material	Fluid body material	Electrical connection	Voltage/ Frequency	Article no.			
	[mm]								[m ³ /h]		[bar]	[bar]	[V/Hz]
A, solenoid valve 2/2 way Direct-acting Normally closed 	0.8	Bürkert flange	0.01	Vac...5	5	EPDM	PPS	Flying leads 0.3 m	12/DC	241341 ☒			
								Rectangular plug		241398 ☒			
								Flying leads 0.3 m	24/DC	241342 ☒			
						Rectangular plug		241399 ☒					
						FFKM	PEEK	Flying leads 0.3 m	12/DC	241344 ☒			
									24/DC	227015 ☒			
	Rectangular plug	12/DC	241405 ☒										
	UNF ¼"-28	FFKM	PEEK	FFKM	PPS	Rectangular plug	12/DC	241405 ☒					
						Flying leads 0.3 m	24/DC	241351 ☒					
		FFKM	PEEK	FKM	PPS	Rectangular plug	12/DC	241405 ☒					
						Flying leads 0.3 m	24/DC	241351 ☒					
						Rectangular plug		241346 ☒					
	Rectangular plug		241349 ☒										
	Rectangular plug		241404 ☒										
B, solenoid valve 2/2 way Direct-acting Normally open 	0.8	Bürkert flange	0.01	Vac...5	5	FFKM	PEEK	Flying leads 0.3 m	24/DC	auf Anfrage			
								Rectangular plug		257036 ☒			
								Flying leads 0.3 m	24/DC	auf Anfrage			
						Rectangular plug		257036 ☒					
						UNF ¼"-28	EPDM	PEEK	FFKM	PPS	Flying leads 0.3 m	12/DC	241359 ☒
											Rectangular plug	24/DC	229429 ☒
	Flying leads 0.3 m	12/DC	241367 ☒										
	Rectangular plug		241424 ☒										
	EPDM	PEEK	FFKM	PPS	Flying leads 0.3 m		24/DC	241368 ☒					
					Rectangular plug			241411 ☒					
					Flying leads 0.3 m			241361 ☒					
					Rectangular plug			241366 ☒					
	Tube connector	EPDM	PEEK	FFKM	PPS	Rectangular plug		241423 ☒					
						Flying leads 0.3 m		241409 ☒					
Rectangular plug							241409 ☒						
FFKM		PEEK	FKM	PPS	Flying leads 0.3 m		237705 ☒						
					Rectangular plug		241363 ☒						
					Rectangular plug		241421 ☒						

Circuit functions	Orifice	Port connection	K _v value water ^{1.)}	Pressure range	Max. pressure difference	Seal material	Fluid body material	Electrical connection	Voltage/ Frequency	Article no.
	[mm]		[m ³ /h]						[bar]	
T, solenoid valve^{2.)} 3/2 way Direct-acting Flow direction optional Normally closed 	0.8	Bürkert flange	0.01	Vac...5	5	EPDM	PPS	Rectangular plug	12/DC	241428 ☒
									24/DC	241429 ☒
						FFKM	PEEK	Flying leads 0.3 m	12/DC	241373 ☒
									24/DC	222936 ☒
						FKM	PPS	Rectangular plug	12/DC	241379 ☒
									24/DC	241435 ☒
						FFKM	PEEK	Flying leads 0.3 m	24/DC	241375 ☒
									24/DC	241377 ☒
						FKM	PPS	Rectangular plug	12/DC	241434 ☒
									24/DC	241442 ☒
	1.6	Bürkert flange	0.04	Vac...2	2	EPDM	PPS	Rectangular plug	12/DC	241442 ☒
									24/DC	241443 ☒
						FFKM	PEEK	Flying leads 0.3 m	12/DC	239935 ☒
									24/DC	227815 ☒
						FKM	PPS	Rectangular plug	12/DC	229430 ☒
									24/DC	241394 ☒
						FFKM	PEEK	Flying leads 0.3 m	12/DC	241394 ☒
									24/DC	241453 ☒
						FKM	PPS	Rectangular plug	12/DC	241453 ☒
									24/DC	241395 ☒
EPDM	PEEK	Rectangular plug	12/DC	241441 ☒						
			24/DC	241389 ☒						
FFKM	PEEK	Flying leads 0.3 m	12/DC	241389 ☒						
			24/DC	241452 ☒						
FKM	PPS	Rectangular plug	12/DC	241452 ☒						
			24/DC	241393 ☒						
EPDM	PEEK	Rectangular plug	12/DC	241393 ☒						
			24/DC	241439 ☒						
FFKM	PEEK	Flying leads 0.3 m	12/DC	241439 ☒						
			24/DC	241387 ☒						
FKM	PPS	Rectangular plug	12/DC	242320 ☒						
			24/DC	241445 ☒						
FFKM	PEEK	Flying leads 0.3 m	12/DC	241445 ☒						
			24/DC	241391 ☒						
FKM	PPS	Rectangular plug	12/DC	241391 ☒						
			24/DC	241450 ☒						

1.) Flow rate value for water, measured at +20 °C, 1 bar to atmospheric pressure at the valve inlet and free outlet
 2.) Pressure range: Technical vacuum (-0.8 bar) at NC or NO; connection at valve output (COM/OUT) only by arrangement.
 3.) The housing has an aperture for easier separation of electronics and fluidics.

DTS 1000155774 EN Version: J Status: RL (released | freigegeben | validé) printed: 27.10.2020






6.4. Ordering chart accessories


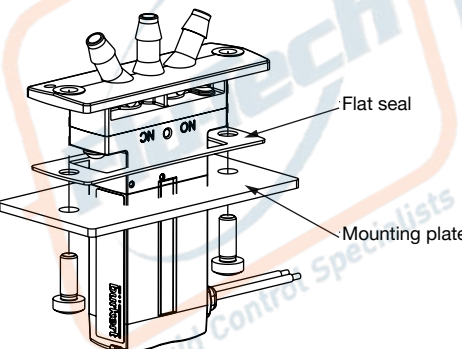
Rectangular plug Type 2505

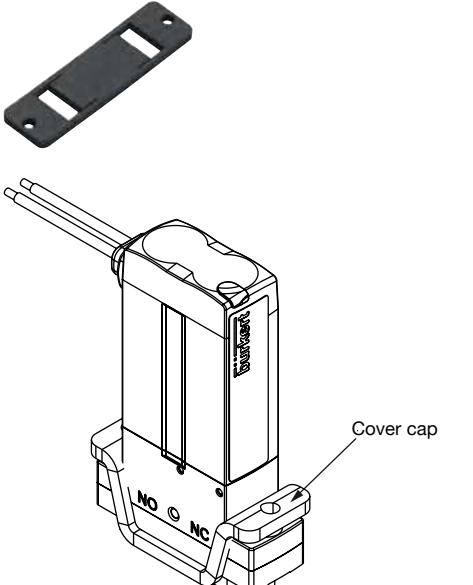
Note:

For further versions see data sheet **Type 2505** ▶.

Accessory	Description	Article no.
	Rectangular cable plug Type 2505 with 3 m cable	252572 ☒
	Rectangular cable plug Type 2505 with 5 m cable	255194 ☒
	Rectangular cable plug Type 2505 with 300 mm flying leads	644068 ☒
	Rectangular cable plug Type 2505 with 600 mm flying leads	162144 ☒
	Rectangular plug Type 2505, single contact for individual mounting	644067 ☒

Further accessories

Accessories	Description	Article no.
 	Foamed EPDM flat seal for tube connector body with aperture	685294 ☒

Accessories	Description	Article no.
	EPDM cover cap for flange body	on request

