

DATA SHEET

Type 2064

Pneumatically actuated diaphragm valve with INOX actuator








T-diaphragm valve with pneumatic actuator in stainless steel (Type INOX)

- Valve body and diaphragm are available in various materials and variants
- Product wetted surfaces in $Ra \leq 0.38 \mu\text{m} \dots 1.6 \mu\text{m}$ (optionally electropolished)
- Available in all common connection sizes and variants



Product variants described in the data sheet may differ from the product presentation and description.

Can be combined with

	Type 2034 ▶ Multifunction block and weld solution
	Type 3233 ▶ 2/2 way diaphragm valve with manually operated actuator
	Type 2036 ▶ Robolux multiway multiport diaphragm valve, pneumatically operated
	Type 8652 ▶ AirLINE - the valve island optimised for process automation
	Type 8697 ▶ Pneumatic control for decentralised automation of ELEMENT process valves

Type description

The externally controlled diaphragm valve Type 2064 consists of a pneumatically operated stainless steel piston actuator, a diaphragm and a T-valve body. The proven and robust actuator with stainless steel housing ensures use in hygienic or aggressive ambient conditions. The flow-efficient valve bodies with little dead space enable high flow rates and a wide range of possible uses. The valve body and the diaphragm are available in all common materials and variants. The actuator has a compact, autoclavable design with a large stainless steel housing, high temperature resistance and gap-free seals.

The integration of the automation units 8697 is possible in all configuration levels (can be retrofitted). The actuator is equipped with an integrated, optical position indicator as standard.

Table of contents

1. General technical data	3
2. Approvals	4
3. Materials	5
3.1. Chemical Resistance Chart – Bürkert resistApp.....	5
3.2. Material specifications.....	5
3.3. Example of available membrane materials.....	5
4. Dimensions	6
4.1. Actuator.....	6
INOX actuator.....	6
INOX actuator with control Type 8697.....	7
4.2. T-Body with welded connection.....	8
4.3. T-Body with Clamp-connection.....	12
5. Performance specifications	13
5.1. Medium pressure.....	13
6. Product accessories	14
7. Networking and combination with other Bürkert products	14
8. Ordering information	15
8.1. Bürkert eShop – Easy ordering and quick delivery.....	15
8.2. Bürkert product filter.....	15
8.3. Bürkert product enquiry form.....	15

1. General technical data

Product properties	
Dimensions	Detailed information can be found in chapter "4. Dimensions" on page 6.
Material	
Block body (VH) ^{1.)}	Stainless steel 1.4435/316 L
Block body (VI) ^{1.)}	Stainless steel 1.4435/BN2/ASME BPE; Fe < 0.5 %/C ≤ 0.03 %
Diaphragm	EPDM (AD) ^{1.)} , PTFE/EPDM (EA) ^{1.)} , advanced PTFE/EPDM (EU) ^{1.)} , GYLON®/EPDM laminated (ER) ^{1.)}
Actuator cover	1.4404
Diaphragm socket	1.4308
Diaphragm size	8...50
Standard surface quality	
Block body (VH/VI) ^{1.)}	Internal electrically polished : Ra ≤ 0.38 µm (NO17) ^{1.)} (ASME BPE SF4/DIN HE4) (external Ra ≤ 1.6 µm) Internal mechanically polished : Ra ≤ 0.5 µm (NO14) ^{1.)} (ASME BPE SF1) (external Ra ≤ 1.6 µm)
Performance data	
Pilot pressure (max.)	10.5 bar 7.5 bar for actuator size 130 ^{1.)} See "5.1. Medium pressure" on page 13
Pilot air ports	Thread G 1/8
Medium data	
Medium	Neutral gases and fluids, highly purified, sterile, aggressive or abrasive medium (see Resistance Chart ▶)
Mediums temperature	
EPDM (AD) ^{1.)}	- 10...+ 143 °C (steam sterilisation + 150 °C for 60 min)
PTFE/EPDM (EA) ^{1.)}	- 10...+ 130 °C (steam sterilisation + 140 °C for 60 min)
PTFE/EPDM (EU) ^{1.)}	- 5...+ 143 °C (steam sterilisation + 150 °C for 60 min)
GYLON®/EPDM laminated (ER) ^{1.)}	- 5...+ 130 °C (steam sterilisation + 140 °C for 60 min)
Control medium	Neutral gases/air
Process/Port connection & communication	
Nominal diameter	DN8...DN100
Port connections ^{2.)}	
Welded connection ^{2.)}	DIN EN ISO 1127/ISO 4200/DIN 11866 series B DIN 11850 series 2/DIN 11866 series A/DIN EN 10357 series A ASME BPE/DIN 11866 series C
Clamp connection ^{2.)}	DIN 32676 series A (DIN pipe) DIN 32676 series B (ISO pipe) ASME BPE
Environment and installation	
Installation position	See operating manual ▶
Ambient temperature	0 °C...+ 60 °C, autoclavable (acc. to technical clarification)




1.) This information is part of the product key (see product enquiry form at the end of this data sheet)

2.) Further versions on request

2. Approvals

Note:

If you need one of these certificates, please contact your Bürkert partner.

Approvals/ Conformity/ Certificate ^{1.)}	Description
	ATEX/IECEX^{2.)} EPS 18 ATEX 2 008 X II 2G Ex h IIC T4 Gb/II 2D Ex h IIIC T135 °C Db IECEX EPS 18.0007X Ex h IIC T4 Gb/Ex h IIIC T135 °C Db
	The diaphragms made of EPDM (AD), PTFE/EPDM (EA), advanced PTFE/EPDM (EU) and GYLON®/EPDM laminated (ER) are suitable for use with food and beverages (acc. to EC Regulation 1935/2004/EC).
	Diaphragms made of EPDM (AD), PTFE/EPDM (EA), advanced PTFE/EPDM (EU) and GYLON®/EPDM laminated (ER) are acc. to USP Class VI tested.
FDA	Diaphragms made of EPDM (AD), PTFE/EPDM (EA), advanced PTFE/EPDM (EU) and GYLON®/EPDM laminated (ER) comply with the Code of Federal Regulations published by the FDA (Food and Drug Administration, USA).

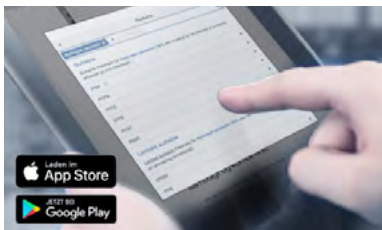
1.) Further approvals/conformity clarification on request

2.) Only in combination with variable code «PX51» (see product enquiry form at the end of this data sheet)



3. Materials

3.1. Chemical Resistance Chart – Bürkert resistApp



Bürkert resistApp – Chemical Resistance Chart

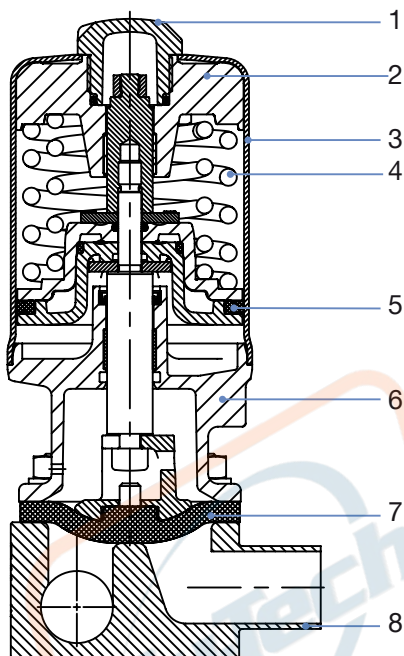
You want to ensure the reliability and durability of the materials in your individual application case? Verify your combination of media and materials on our website or in our resistApp.

[Start Chemical Resistance Check](#)

3.2. Material specifications

Note:

Exemplary representation may differ from the actual product.



No.	Element	Material
1	Optical position indicator	Polysulfone PSU
2	Spring support	Stainless steel 1.4308
3	Spring	EN10270-2 FDSiCr
4	Actuator cover	Stainless steel 1.4404 (316L)
5	Piston seal	FKM
6	Actuator base (diaphragm socket)	Stainless steel 1.4308
7	Diaphragm	EPDM (AD), PTFE/EPDM (EA), advanced PTFE/EPDM (EU), Gylon®/EPDM laminated (ER)
8	Valve body	See “1. General technical data” on page 3

3.3. Example of available membrane materials

The diaphragms have been developed to meet the unique challenges of hygienic and sterile requirements. Bürkert offers diaphragms with precise material composition and high accuracy. Bürkert diaphragms are available in a wide range of materials which have been tested and proven in applications in the food and beverage, biotechnology, pharmaceutical and cosmetics industries. The diaphragms are tested during development and production to ensure reliability under difficult process conditions.



- EPDM (AD)
- PTFE/EPDM (EA)
- advanced PTFE/EPDM (EU)
- Gylon®/EPDM laminated (ER)

For further information please refer to our flyer “Diaphragm competence for hygienic applications” on our [website](#) ▶.

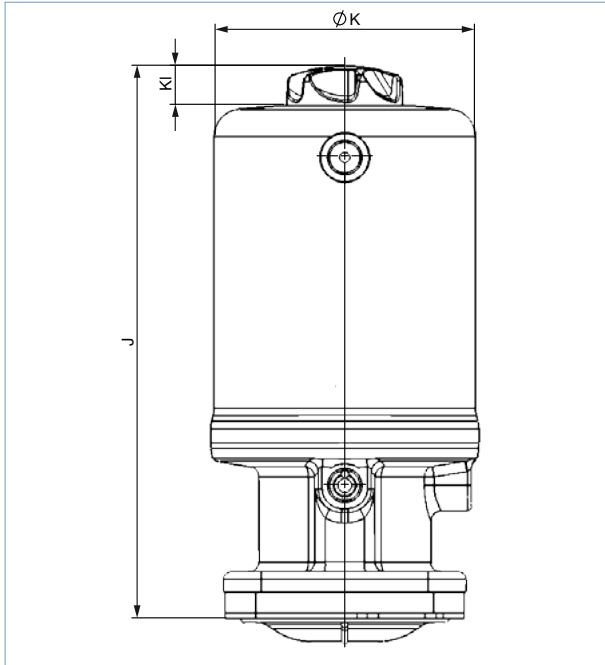
4. Dimensions

4.1. Actuator

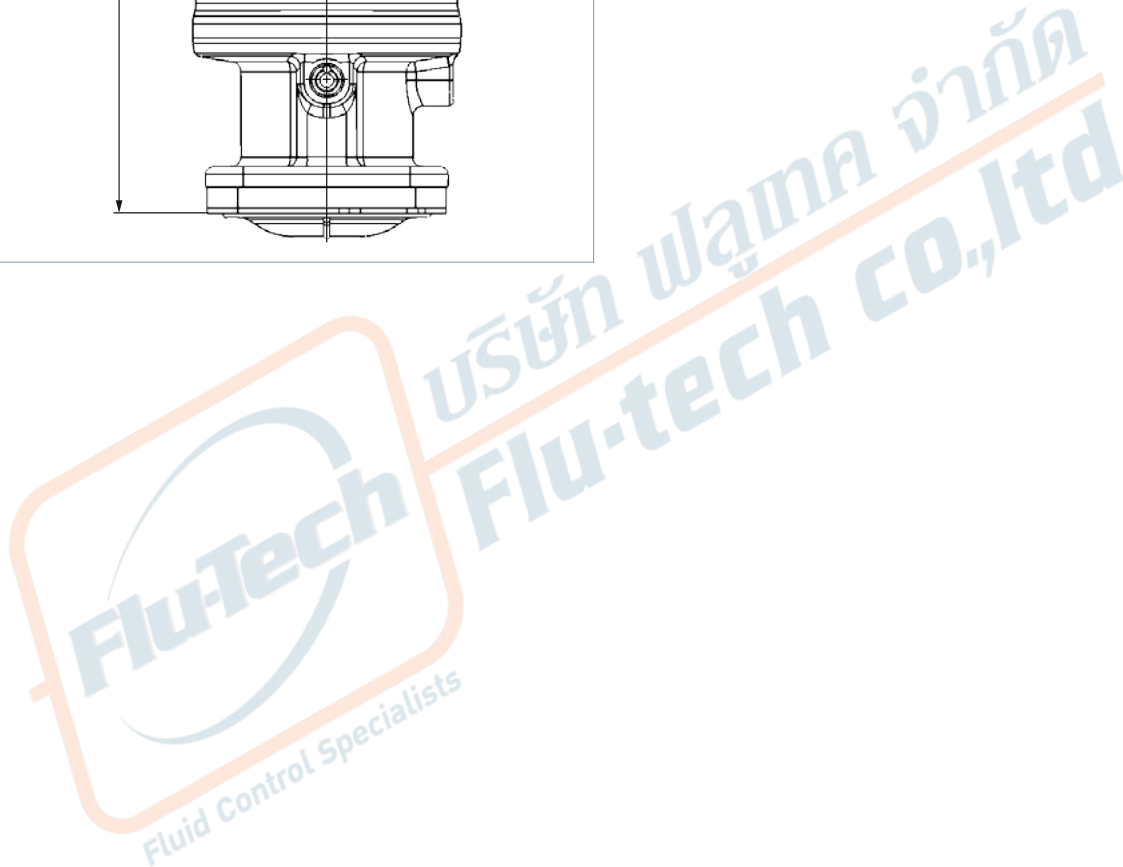
INOX actuator

Note:

Dimensions in mm, unless otherwise stated



Diaphragm size	Actuator size	J	ØK	KI
15	50(D)	130	55	11
	70(M)	139	75	11
20	70(M)	148	75	11
	70(M)	155	75	11
25	90(N)	182	96	14
	90(N)	192	96	14
40	130(P)	244	137	14
	130(P)	250	137	14



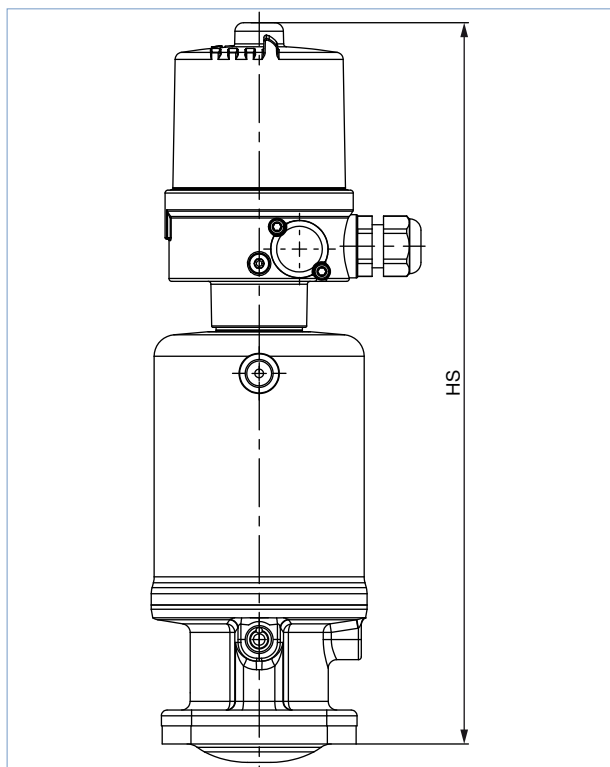
Type 2064
Pneumatically actuated diaphragm
valve with INOX actuator



INOX actuator with control Type 8697

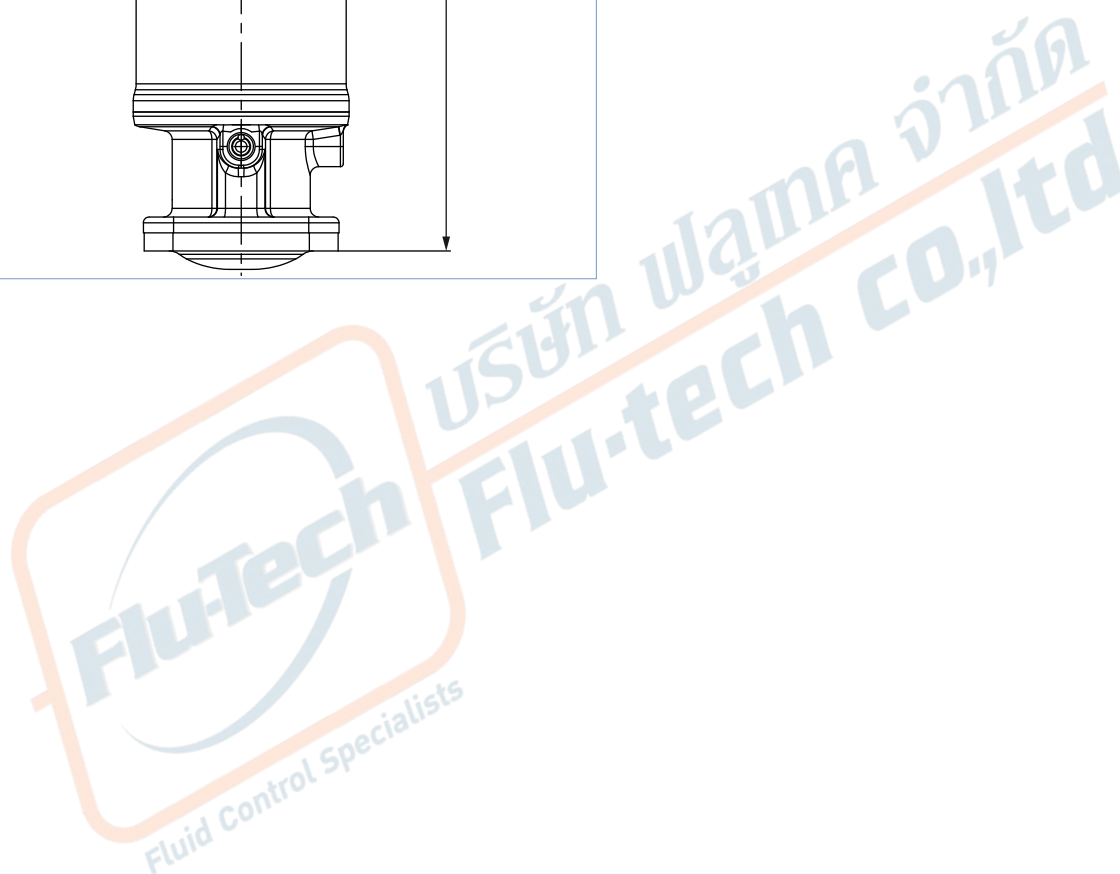
Note:

Dimensions in mm, unless otherwise stated



Diaphragm size	Actuator size	HS
15	50(D)	236.9
	70(M)	245.9
20	70(M)	254.9
	90(N)	261.9
25	90(N)	288.9
	130(P)	298.9
40	130(P)	350.9
	130(P)	356.9

DTS 1000450610 EN Version: C Status: RL (released | freigegeben | validé) printed: 15.03.2022



บริษัท ฟลูเทค จำกัด
FLU-TECH CO.,LTD

845/3-4 หมู่ 3 ถ.เทพารักษ์ ต.เทพารักษ์ อ.เมือง จ.สมุทรปราการ 10270
 845/3-4 Thepharak RD., T.Thepharak, A.Muang, Samutprakarn 10270 THAILAND
 Tel. 0 2384 6060, Fax 0 2384 5701, Email : sales@flutech.co.th, www.flutech.co.th

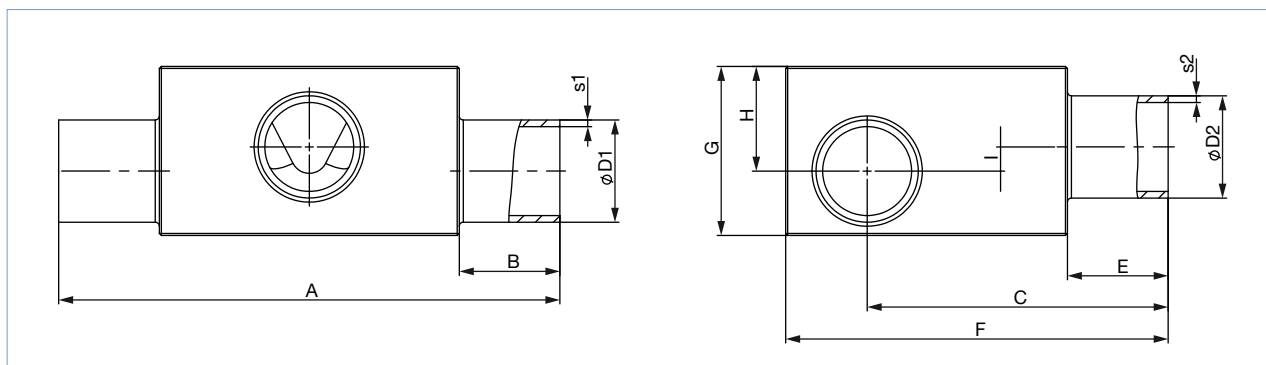
Type 2064
Pneumatically actuated diaphragm
valve with INOX actuator



4.2. T-Body with welded connection

Note:

Dimensions in mm, unless otherwise stated



Diaphragm size	Port 1 - Port 2 DN	ØD1	s1	ØD2	s2	A	B	C	E	F	G	H	I	Product key ¹⁾
DIN EN ISO 1127/ISO 4200/DIN 11866 series B														
8	8...8	13.5	1.6	13.5	1.6	93.0	20	52.05	20	70	27	17	4.5	SA40-SA40
	10...8	17.2		13.5		93.0		53.9		70	31	18	4.5	SA41-SA40
	10...10	17.2	17.2	93.0	54.9	70	28	16	2.5	SA41-SA41				
	15...8	21.3	13.5	93.0	57	71	34.5	21	7.5	SA42-SA40				
	15...15	21.3	21.3	93.0	56	71	35	21	6.5	SA42-SA41				
	20...8	26.9	13.5	103.0	25	59.8	76	41	25	11.5	SA43-SA40			
	20...10	26.9	17.2	103.0		59.8	78	42	25	11.5	SA43-SA41			
	20...15	26.9	21.3	103.0	59.8	78	42	25	11.5	SA44-SA40				
	25...10	33.7	2.0	17.2	103.0	63	83	48	28	14.5	SA44-SA41			
	25...15	33.7		21.3	103.0	62.8	83	47	28	14.5	SA45-SA40			
	32...8	42.4	13.5	103.0	67.1	91	56	32	18.5	SA45-SA41				
	32...10	42.4	17.2	103.0	67.1	91	56	32	18.5	SA46-SA40				
	32...15	42.4	21.3	103.0	67.1	91	56	32	18.5	SA46-SA41				
	40...8	48.3	13.5	103.0	70.1	97	63	35	21.5	SA47-SA40				
	40...10	48.3	17.2	103.0	70.1	97	63	35	21.5	SA47-SA41				
	40...15	48.3	21.3	103.0	70.1	97	63	35	21.5	SA48-SA40				
	50...8	60.3	13.5	113.0	30	76.1	109	72	38	24.5	SA49-SA40			
	50...10	60.3	17.2	113.0		76.1	109	72	38	24.5	SA49-SA41			
	50...15	60.3	21.3	113.0		76.1	109	72	38	24.5	SA40-SA40			
	65...8	76.1	13.5	113.0	84	125	85	44	30.5	SA41-SA40				
	65...15	76.1	21.3	113.0	84	125	85	44	30.5	SA41-SA41				
80...8	88.9	2.3	13.5	113.0	90.1	140	99	52	38.5	SA42-SA40				
80...10	88.9		17.2	113.0	90.1	137	94	47	33.5	SA42-SA42				
80...15	88.9		21.3	113.0	90.1	137	94	47	33.5	SA43-SA40				
100...15	114.3		21.3	113.0	102.8	163	120	60	46.5	SA43-SA41				

DTS 1000450610 EN Version: C Status: RL (released | freigegeben | valide) printed: 15.03.2022



บริษัท ฟลูเทค จำกัด
FLU-TECH CO.,LTD

845/3-4 หมู่ 3 ถ.เทพารักษ์ ต.เทพารักษ์ อ.เมือง จ.สมุทรปราการ 10270
 845/3-4 Thepharak RD., T.Thepharak, A.Muang, Samutprakarn 10270 THAILAND
 Tel. 0 2384 6060, Fax 0 2384 5701, Email : sales@flutech.co.th, www.flutech.co.th

Type 2064
Pneumatically actuated diaphragm
valve with INOX actuator



Dia- phragm size	Port 1 - Port 2 DN	ØD1	s1	ØD2	s2	A	B	C	E	F	G	H	I	Product key ¹⁾			
15	8...8	13.5	1.6	13.5	1.6	93.0	20	52.05	20	70	27	17	4.5	SA40-SA40			
	10...8	17.2		13.5		93.0		53.9		70	31	18	4.5	SA41-SA40			
	10...10	17.2		17.2		93.0		54.9		70	28	16	2.5	SA41-SA41			
	15...8	21.3		13.5		93.0		57		71	34.5	21	7.5	SA42-SA40			
	15...15	21.3		21.3		93.0		56		71	35	21	6.5	SA42-SA42			
	20...8	26.9		13.5		103.0		25		59.8	76	41	25	11.5	SA43-SA40		
	20...10	26.9		17.2		103.0				59.8	78	42	25	11.5	SA43-SA41		
	20...15	26.9		21.3		103.0				59.8	78	42	25	11.5	SA43-SA42		
	25...10	33.7	2.0	17.2	1.6	103.0	25		63	20	83	48	28	14.5	SA44-SA41		
	25...15	33.7		21.3		103.0		62.8	83		47	28	14.5	SA44-SA42			
	32...8	42.4		13.5		103.0		67.1	91		56	32	18.5	SA45-SA40			
	32...10	42.4		17.2		103.0		67.1	91		56	32	18.5	SA45-SA41			
	32...15	42.4		21.3		103.0		67.1	91		56	32	18.5	SA45-SA42			
	40...8	48.3		13.5		103.0		70.1	97		63	35	21.5	SA46-SA40			
	40...10	48.3		17.2		103.0		70.1	97		63	35	21.5	SA46-SA41			
	40...15	48.3		21.3		103.0		70.1	97		63	35	21.5	SA46-SA42			
	50...8	60.3	13.5	113.0	30	76.1	109	72	38	24.5	SA47-SA40						
	50...10	60.3	17.2	113.0		76.1	109	72	38	24.5	SA47-SA41						
	50...15	60.3	21.3	113.0		76.1	109	72	38	24.5	SA47-SA42						
	65...8	76.1	13.5	113.0		84	125	85	44	30.5	SA48-SA40						
	65...15	76.1	21.3	113.0	84	125	85	44	30.5	SA48-SA42							
	80...8	88.9	2.3	13.5	1.6	113.0	30	90.1	20	140	99	52	38.5	SA49-SA40			
	80...10	88.9		17.2		113.0		90.1		137	94	47	33.5	SA49-SA41			
	80...15	88.9		21.3		113.0		90.1		137	94	47	33.5	SA49-SA42			
	100...15	114.3		21.3		113.0		102.8		163	120	60	46.5	SA39-SA42			
	20	20...20	26.9	1.6	26.9	1.6	114.0	25	70.3	25	87	40	24	6.0	SA43-SA43		
		25...20	33.7	2.0	26.9		114.0		73.3		94	48	28	10.0	SA44-SA43		
		32...20	42.4		26.9		114.0		78.6		102	57	33	15.0	SA45-SA43		
40...20		48.3	26.9		114.0		80.6		108		63	35	17.0	SA46-SA43			
50...20		60.3	26.9		124.0		30	87	120.8	72	39	21.0	SA47-SA43				
65...20		76.1	26.9	124.0	94.5			136	86	45	27.0	SA48-SA43					
80...20		88.9	2.3	26.9	124.0			100.6	148	94	47	29.0	SA49-SA43				
100...20		114.3		26.9	124.0			113.3	173	120	60	42.0	SA39-SA43				
25	25...25	33.7	2.0	33.7	2.0	124.5	25	78.6	25	98	53	33	13.0	SA44-SA44			
	32...25	42.4		124.5		82.9		107		62	38	18.0	SA45-SA44				
	40...25	48.3		124.5		85.9		114		69	41	21.0	SA46-SA44				
	50...25	60.3		33.7		134.5		30		81.9	125	78	45	25.0	SA47-SA44		
	65...25	76.1		33.7		134.5	99.8		142	94	52	32.0	SA48-SA44				
	80...25	88.9		2.3		33.7	134.5		105.9	153	101	54	34.0	SA49-SA44			
	150...25	168.3				2.6	33.7		134.5	145.3	232	174	87	67.0	SA69-SA44		
	40	32...32		42.4		2.0	42.4	2.0	152.0	25	98.00	25	122	62	38	9.4	SA45-SA45
40...32		48.3	152.0	100	128		68		41		12.4		SA46-SA45				
40...40		48.3	152.0	100	128		68		41		12.4		SA46-SA46				
50...32		60.3	162.0	30	106		140		82		48		19.4	SA47-SA45			
50...40		60.3	162.0		106		140		82	48	19.4	SA47-SA46					
65...40		76.1	162.0		113.9		155		97	55	26.4	SA48-SA46					
80...32		88.9	2.3		42.4		162.0		120	168	108	60	31.4	SA49-SA45			
80...40		88.9		48.3	162.0		120		168	108	60	31.4	SA49-SA46				
100...32		114.3		42.4	162.0		132.7		193	129	68	39.4	SA39-SA45				
100...40		114.3		48.3	162.0		132.7		193	129	68	39.4	SA39-SA46				
50		50...50	60.3	2.0	60.3		2.0		188.0	30	120.2	30	154	82	48	12.5	SA47-SA47
		65...50	76.1		188.0				128.1		170		100	56	20.5	SA48-SA47	
	80...50	88.9	2.3		60.3	188.0		134.2	183		110		61	25.5	SA49-SA47		
	100...50	114.3			60.3	188.0		146.9	208		131		70	34.5	SA39-SA47		
	150...50	168.3	2.6		60.3	188.0		173.6	261		176		88	52.5	SA69-SA47		

DTS 1000450610 EN Version: C Status: RL (released | freigegeben | valide) printed: 15.03.2022



บริษัท ฟลูเทค จำกัด
FLU-TECH CO.,LTD

845/3-4 หมู่ 3 ถ.เทพารักษ์ ต.เทพารักษ์ อ.เมือง จ.สมุทรปราการ 10270
 845/3-4 Thepharak RD., T.Thepharak, A.Muang, Samutprakarn 10270 THAILAND
 Tel. 0 2384 6060, Fax 0 2384 5701, Email : sales@flutech.co.th, www.flutech.co.th

Type 2064
Pneumatically actuated diaphragm
valve with INOX actuator



Diaphragm size	Port 1 - Port 2 DN	ØD1	s1	ØD2	s2	A	B	C	E	F	G	H	I	Product key ¹⁾
DIN 11850 series 2/DIN 11866 series A/DIN EN 10357 series A														
8	10...10	13.0	1.5	13.0	1.5	78.0	20	47.0	20	60	24	15	5.0	SD40-SD40
	20...10	23.0		13.0		88.0	25	52.0		66	36	22	12.0	SD43-SD40
15	15...15	19.0	1.5	19.0	1.5	93.0	20	55.9	20	70	33	20	6.5	SD42-SD42
	20...15	23.0		19.0		103.0		57.9		72	37	22.5	9	SD43-SD42
	25...15	29.0		19.0		103.0	25	60.9		78	43	26	12.5	SD44-SD42
	32...15	35.0		19.0		103.0		63.9		84	49	29	15.5	SD45-SD42
	40...15	41.0		19.0		103.0		66.9		91	56	31	17.5	SD46-SD42
	50...15	53.0		19.0		113.0	30	72.9		102	65	36	22.5	SD47-SD42
20	20...20	23.0	1.5	23.0	1.5	114.0	25	68.7	25	85	36	21	-	SD43-SD43
	32...20	35.0		23.0		114.0		74.4		95	50	29	11.0	SD45-SD43
	40...20	41.0		23.0		114.0		77.4		101	56	32	14.0	SD46-SD43
25	25...25	29.0	1.5	29.0	1.5	124.5	25	76.7	25	98	48	30	10.0	SD44-SD44
	40...25	41.0		29.0		124.5		82.7		106	61	38	18.0	SD46-SD44
	50...25	53.0		29.0		134.5	30	88.7		120	73	44	24.0	SD47-SD44
40	32...32	35.0	1.5	35.0	1.5	152.0	25	95	25	119	52	32	9	SD45-SD45
	40...40	41.0		41.0		152.0		97.3		121	62	37	8.4	SD46-SD46
	50...40	53.0		41.0		162.0	30	102.8		133	75	45	16.4	SD47-SD46
50	50...50	53.0	1.5	53.0	1.5	188.0	30	117.0	30	147	74	44	8.5	SD47-SD47
ASME BPE/DIN 11866 series C														
8	20...8	19.05	1.65	6.35	0.89	88.0	25	49.90	20	61	32	20	10.0	SA93-SA90
	25...10	25.40		9.53		88.0	25	53.00		68	38	23	13.0	SODF-SA91
	40...8	38.10		6.35		88.0	25	59.40		80	49	28	18.0	SODH-SA90
	50...8	50.80		6.35		98.0	30	65.80		93	59	32	22.0	SODI-SA90
	65...8	63.50		6.35		98.0		72.10		106	70	36	26.0	SODJ-SA90
15	15...15	12.70	1.65	12.70	1.65	93.0	20	53.20	20	70	27	13.5	-	SA92-SA92
	20...15	19.05		12.70		103.0		55.80		70	31	18.5	5.0	SA93-SA92
	25...15	25.40		12.70		103.0		59.00		75	40	24	10.5	SODF-SA92
	40...15	38.10		12.70		103.0	25	65.30		88	54	31	17.5	SODH-SA92
	50...15	50.80		12.70		113.0	30	71.70		100	64	35	21.5	SODI-SA92
	65...15	63.50		12.70		113.0		78.00		113	73	38	24.5	SODJ-SA92
	80...15	76.20		12.70		113.0		84.40		125	84	43	29.5	SODK-SA92
	20	20...20		19.05		1.65	19.05	1.65		114	25	66.30	25	85
25...20	25.40	19.05	114		69.20		88		40	24	6.0	SODF-SA93		
40...20	38.10	19.05	114		75.80		98		53	31	13.0	SODH-SA93		
50...20	50.80	19.05	124	30	82.20		111		66	37	19.0	SODI-SA93		
65...20	63.50	19.05	124		88.50		123		75	40	22.0	SODJ-SA93		
80...20	76.20	19.05	124		94.90		136		85	44	26.0	SODK-SA93		
100...20	101.60	2.11	19.05		107.10		161		108	54	36.0	SODL-SA93		
25	25...25	25.40	1.65	25.40	1.65		124.5		25	74.8	25	95		42
	40...25	38.10		25.40		124.5		81.1	103	58		36	16.0	SODH-SODF
	50...25	50.80		25.40		134.5	30	87.5	120	75		44	24.0	SODI-SODF
	65...25	63.50		25.40		134.5		93.8	129	82		47	27.0	SODJ-SODF
	80...25	76.20		25.40		134.5		100.15	142	94		52	32.0	SODK-SODF
40	40...40	38.10	1.65	38.10	1.65	152.0	25	99.60	25	121	58	35	6.4	SODH-SODH
	50...40	50.80		38.10		162.0	30	101.6		131	72	43	14.4	SODI-SODH
	65...40	63.50		38.10		162.0		107.90		143	85	50	21.4	SODJ-SODH
	80...40	76.20		38.10		162.0		114.3		156	98	56	27.4	SODK-SODH
50	50...50	50.80	1.65	50.80	1.65	188.0	30	115.8	30	145	71	42	6.5	SODI-SODI
	65...50	63.50		50.80		188.0		122.10		157	85	50	14.5	SODJ-SODI
	65...65	63.50		63.50		188.0		122.10		158	86	50	14.5	SODJ-SODJ
	80...50	76.20		50.80		188.0		128.5		169	98	56	20.5	SODK-SODI
	100...65	101.60		2.11		63.50		188.0			140.7		195	120

DTS 1000450610 EN Version: C Status: RL (released | freigegeben | valide) printed: 15.03.2022



บริษัท ฟลูเทค จำกัด
FLU-TECH CO.,LTD

845/3-4 หมู่ 3 ถ.เทพารักษ์ ต.เทพารักษ์ อ.เมือง จ.สมุทรปราการ 10270
 845/3-4 Thepharak RD., T.Thepharak, A.Muang, Samutprakarn 10270 THAILAND
 Tel. 0 2384 6060, Fax 0 2384 5701, Email : sales@flutech.co.th, www.flutech.co.th

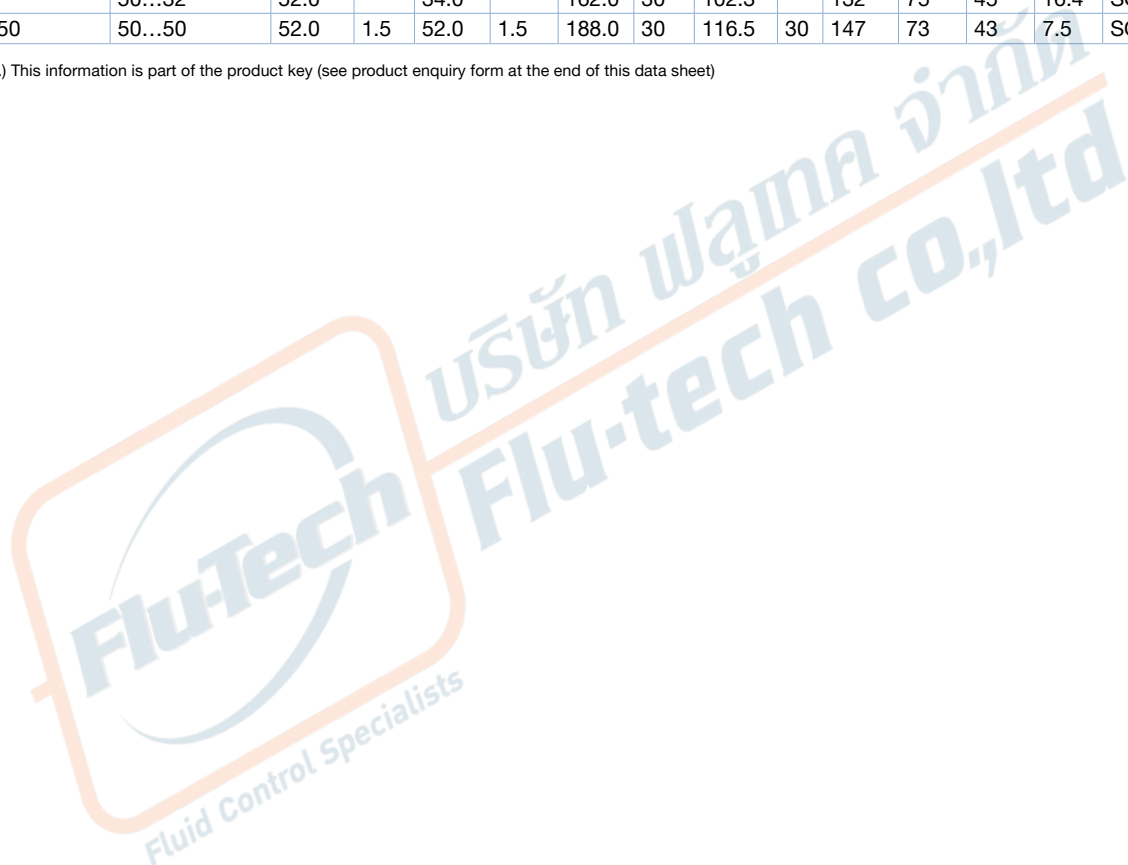
Type 2064
Pneumatically actuated diaphragm
valve with INOX actuator



Dia-phragm size	Port 1 - Port 2 DN	ØD1	s1	ØD2	s2	A	B	C	E	F	G	H	I	Product key ^{1.)}			
SMS 3008																	
25	25...25	25.0	1.2	25.0	1.2	124.5	25	75.0	25	95	43	27	7.0	SA60-SA60			
	40...25	38.0		25.0		124.5		81.5		103				58	36	16.0	SA62-SA60
	50...25	51.0	25.0	134.5	30	88.0	118	72	42	22.0	SA63-SA60						
40	40...40	38.0	1.2	38.0	1.2	152.0	25	95.6	25	121	58	35	6.4	SA62-SA62			
	50...40	51.0		38.0		162.0		30		102.1				131	73	44	15.4
50	50...50	51.0	1.2	51.0	1.2	188.0	30	120.2	30	154	82	48	2.5	SA63-SA63			
DIN 11850 series 0																	
8	04...04	6.0	1.0	6.0	1.0	78.0	20	44.0	20	60	15	6.5	0.0	SC40-SC40			
	06...06	8.0		6.0		75.0		17.5		46.5				60	13	7	0.0
	40...04	40.0	1.5	6.0	1.5	88.0	25	60.5	25	83	51	29	19.0	SC47-SC40			
	40...8	40.0		10.0		88.0		60.5		83				51	29	19.0	SC47-SC42
	50...04	52.0		6.0		98.0		30		66.5				95	60	32	22.0
15	50...15	52.0	1.5	18.0	1.5	113.0	30	72.4	20	101	65	36	22.5	SC48-SC43			
25	25...25	28.0	1.5	28.0	1.5	124.5	25	76.2	25	95	46	29	9.0	SC45-SC45			
	50...25	52.0		28.0		134.5		30		91.2				120	71	42	22.0
40	25...32	28.0	1.5	34.0	1.5	152.0	25	90.3	25	122	58	32	3.4	SC45-SC46			
	50...32	52.0		34.0		162.0		30		102.3				132	75	45	16.4
50	50...50	52.0	1.5	52.0	1.5	188.0	30	116.5	30	147	73	43	7.5	SC48-SC48			

1.) This information is part of the product key (see product enquiry form at the end of this data sheet)

DTS 1000450610 EN Version: C Status: RL (released | freigegeben | valide) printed: 15.03.2022



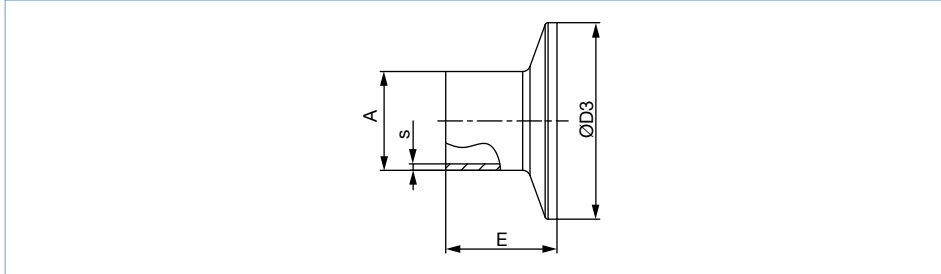
บริษัท ฟลูเทค จำกัด
FLU-TECH CO.,LTD

845/3-4 หมู่ 3 ถ.เทพารักษ์ ต.เทพารักษ์ อ.เมือง จ.สมุทรปราการ 10270
 845/3-4 Thepharak RD., T.Thepharak, A.Muang, Samutprakarn 10270 THAILAND
 Tel. 0 2384 6060, Fax 0 2384 5701, Email : sales@flutech.co.th, www.flutech.co.th

4.3. T-Body with Clamp-connection

Note:

- Dimensions in mm, unless otherwise stated
- Clamp dimensions must be added to the welded connection dimensions.



Port connection		A	s	D3	E	Product key ¹⁾
[mm]	[inch]					
DIN 32676 series A (DIN pipe)						
10	-	13	1.5	34.0	18	TD41
15	-	19	1.5	34.0	18	TD42
20	-	23	1.5	34.0	18	TD43
25	-	29	1.5	50.5	21.5	TD44
32	-	35	1.5	50.5	21.5	TD45
40	-	41	1.5	50.5	21.5	TD46
50	-	53	1.5	64.0	21.5	TD47
DIN 32676 series B (ISO pipe)						
8	-	13.5	1.6	25.0	28.6	TC40
8	-	13.5	1.6	34.0 ²⁾	28.6	TC51 ²⁾
10	-	17.2	1.6	34.0 ²⁾	28.6	TC41 ²⁾
15	-	21.3	1.6	34.0 ²⁾	28.6	TC42 ²⁾
15	-	21.3	1.6	50.5	28.6	TC52
20	-	26.9	1.6	50.5	28.6	TC43
25	-	33.7	2	50.5	28.6	TC44
32	-	42.4	2	50.5 ²⁾	28.6	TC45 ²⁾
40	-	48.3	2	64.0	28.6	TC46
50	-	60.3	2	77.5	28.6	TC47
ASME BPE						
8	1/4"	6.35	0.89	25.0	28.6	TG50
10	3/8"	9.53	0.89	25.0	28.6	TG01
15	1/2"	12.7	1.65	25.0	28.6	TG02
20	3/4"	19.05	1.65	25.0	28.6	TG03
25	1"	25.4	1.65	50.5	28.6	TG04
40	1 1/2"	38.1	1.65	50.5	28.6	TG05
50	2"	50.8	1.65	64.0	28.6	TG06

1.) This information is part of the product key (see product enquiry form at the end of this data sheet)

2.) Deviating from the standard, because of different clamp outer diameter.

5. Performance specifications

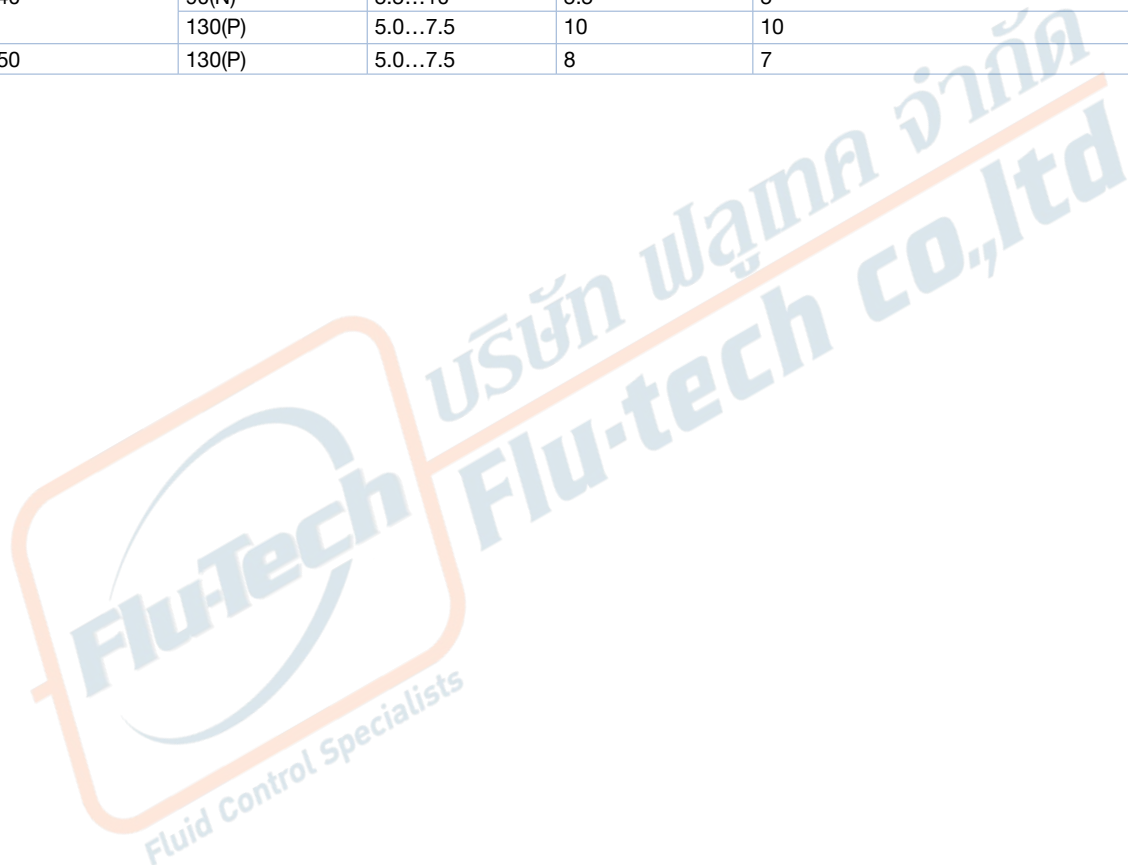
5.1. Medium pressure

Information for control function A

Note:


- For low operating pressures, optional versions with reduced spring force are recommended.
- Pressure data [bar]: Overpressure to atmospheric pressure. Valve closes dynamically against max. operating pressure.
- Information for control function B and I on request.

Diaphragm size	Actuator size Ø	Pilot pressure	Max. operating pressure for seal material	
			EPDM, FKM	PTFE/EPDM, advanced PTFE/EPDM, GYLON®/EPDM laminated
DN	[mm]	[bar]	[bar]	[bar]
15	50(D)	5.0...10.5	8.5	5
	70(M)		10	10
20	70(M)	5.0...10.5	10	10
25	70(M)	5.0...10.5	6.5	4.5
	90(N)		10	8
32	90(N)	5...10.5	8	6
40	90(N)	5.5...10	5.5	5
	130(P)		10	10
50	130(P)	5.0...7.5	8	7



6. Product accessories

Note:
 Further position feedbacks can be found on our **website** ▶.

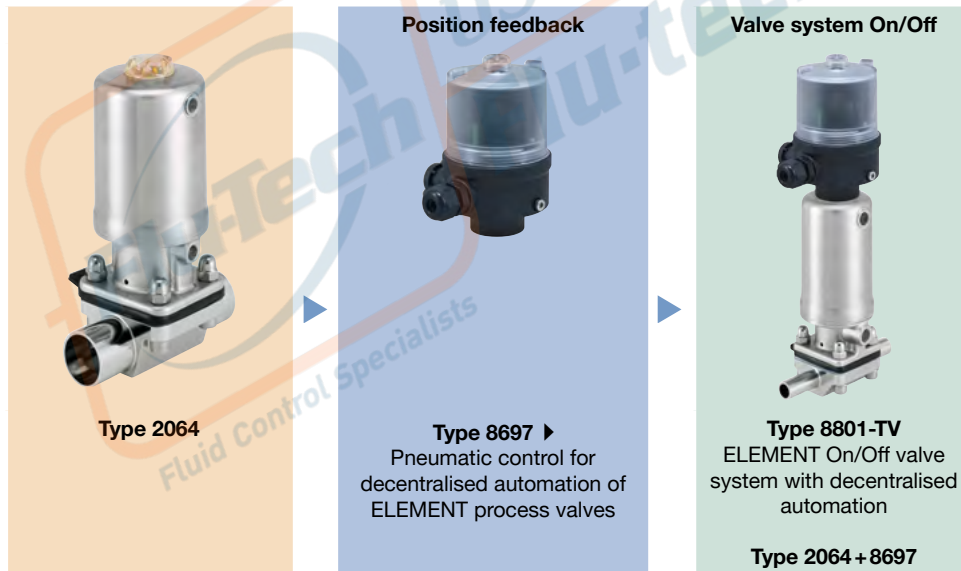
Electrical position feedback	
Type 8697 ▶ Actuator size Ø50...130 mm	Description
	<p>The position feedback Type 8697 is designed for integrated mounting on process valves of the CLASSIC series and especially for the requirements of hygienic process environments. Mechanical or inductive limit switches detect the valve position.</p> <p>Features</p> <ul style="list-style-type: none"> • Compact design • LED position indicator • Mechanical or inductive limit switches for end position registering • Easy to clean chemically resistant housing featuring IP65/IP67, 4X Rating • Optional intrinsically safe version acc. to ATEX/IECEX <p>Customer benefits</p> <ul style="list-style-type: none"> • Easy and quick installation • High level of signal reliability thanks to self adjusting limit switches • Minimised space requirement in the plant piping for more flexibility in plant design

7. Networking and combination with other Bürkert products

The **On/Off valve system** with **stainless steel actuator, Type 8801-TV**, consists of a **diaphragm valve, Type 2064**, and an **electrical position feedback, Type 8697**.

Note:
 You order two components and receive a completely assembled and tested valve.

Example:



DTS 1000450610 EN Version: C Status: RL (released | freigegeben | validé) printed: 15.03.2022



8. Ordering information

8.1. Bürkert eShop – Easy ordering and quick delivery



Bürkert eShop – Easy ordering and fast delivery

You want to find your desired Bürkert product or spare part quickly and order directly? Our online shop is available for you 24/7. Sign up and enjoy all the benefits.

[Order online now](#)

8.2. Bürkert product filter



Bürkert product filter – Get quickly to the right product

You want to select products comfortably based on your technical requirements? Use the Bürkert product filter and find suitable articles for your application quickly and easily.

[Try out our product filter](#)





8.3. Bürkert product enquiry form

Bürkert product enquiry form: Would you like to make a specific product enquiry based on your technical requirements? Please use our product enquiry form **at the end of this data sheet**. There you will find all the information relevant to your Bürkert contact person that will help us to process your enquiry in the best possible way.

Bürkert specification key: In our product enquiry form you will find a complete explanation of the composition of our specification key. You will find our product enquiry form **at the end of this data sheet**.

Specification key - Examples

2 way diaphragm valve					
Type 2030 ▶ CLASSIC with plastic body	Type 2031 ▶ CLASSIC with stainless steel body	Type 2063 ▶ INOX with stainless steel body	Type 2103 ▶ ELEMENT with stainless steel or plastic body	Type 3232 ▶ Manually operated with plastic body	Type 3233 ▶ Manually operated with stainless steel body
					

T-diaphragm valve			
Type 2032 ▶ CLASSIC T-valve	Type 2064 ▶ INOX T-valve	Type 2104 ▶ ELEMENT T-valve	Type 3234 ▶ Manually operated T-valve
			

Tank bottom diaphragm valve			
Type 2033 ▶ CLASSIC Tank bottom valve	Type 2065 ▶ INOX Tank bottom valve	Type 2105 ▶ ELEMENT Tank bottom valve	Type 3235 ▶ Manually operated tank bottom valve
			

	Type	Control function	Nominal diameter diaphragm	Diaphragm material	Body material	Port connection	Port connection	Actuator version	Actuator size	Pilot air port	Actuator	Variable	Variable	Variable
Key Feature	TYP	SF	DN	DWST	WKST	LTA1	LTA2	ANTA	ANTG	STLA	ANTR	VAR1	VAR2	VAR3
Key No. →	1	2	3	4	5	6	6	7	8	9	10	V1	V2	V3

2 way diaphragm valve														
Type 2030 CLASSIC	2030	A	20.0	AD	PV	KM26	-	C	E	-	-			
Type 2031 CLASSIC	2031	A	20.0	AD	VS	SA93	-	C	E	-	-	NK52	NO14	
Type 2063 INOX	2063	A	20.0	AD	VS	SA93	-	H	M	-	-	NK52	NO14	
Type 2103 ELEMENT	2103	A	20.0	AD	PV	KM26	-	G	M	FA01	-			
Type 2103 ELEMENT	2103	A	20.0	AD	VS	SA93	-	G	M	FA01	-	NK52	NO14	
Type 3232	3232	-	20.0	AD	PV	KM26	-	-	-	-	D050			
Type 3233	3233	-	20.0	AD	VS	SA93	-	-	-	-	D051	NK52	NO14	
T-diaphragm valve														
Type 2032 CLASSIC	2032	A	20.0	AD	VH	SODH	SA93	D	E	-	-	NK52	NO14	
Type 2064 INOX	2064	A	20.0	AD	VH	SODH	SA93	-	M	-	-	NK52	NO14	
Type 2104 ELEMENT	2104	A	20.0	AD	VH	SODH	SA93	-	M	FA01	-	NK52	NO14	
Type 3234	3234	-	20.0	AD	VH	SODH	SA93	-	-	-	D050	NK52	NO14	
Tank bottom diaphragm valve														
Type 2033 CLASSIC	2033	A	20.0	AD	VH	SA93	-	D	F	-	-	NK52	NO14	
Type 2065 INOX	2065	A	20.0	AD	VH	SA93	-	-	M	-	-	NK52	NO14	
Type 2105 ELEMENT	2105	A	20.0	AD	VH	SA93	-	-	M	FA01	-	NK52	NO14	
Type 3235	3235	-	20.0	AD	VH	SA93	-	-	-	-	D050	NK52	NO14	

1.) NK52, NOxx only for stainless steel bodies

DTS 1000450610 EN Version: C Status: RL (released | freigegeben | valide) printed: 15.03.2022



Product Enquiry Form
Diaphragm valve with straight
way valve, T-valve or tank bottom
valve



Key Legend

Note:

- Other versions on request
- Available Type sizes see corresponding data sheet

Key no. 2: Control function (SF)				Key no. 8: Actuator size (ANTG)	
A	Closed with spring force			B	ø 32
B	Open with spring force			C	ø 40
I	Without pressure spring			D	ø 50
Key no. 3: Nominal diameter diaphragm (DN)				E	ø 63
8	25	50	100	F	ø 80
15	32	65		G	ø 100
20	40	80		H	ø 125
Key no. 4: Diaphragm material (DWST)				K	ø 175
AD	EPDM			L	ø 225
EA	PTFE/EPDM			M	ø 70
EU	Advanced PTFE/EPDM laminated			N	ø 90
ER	Gylon®/EPDM laminated			P	ø 130
Key no. 5: Body material (WKST)				Key no. 9: Pilot air port (ELEMENT) (STLA)	
PD	PVDF (Polyvinylidene fluoride)			FA01	Pilot air port Push-In 6/4, 1/4"
PP	PP (Polypropylene)			FA02	Pilot air port G1/8
PV	PVC-U (Polyvinyl chloride)			FA03	Interface ELEMENT control
VG	Stainless steel precision casting 1.4435/316L			Key no. 10: Actuator (ANTR)	
VH	Stainless steel block material 1.4435/316L			D050	Handwheel and attachment PPS
VI	Stainless steel block material 1.4435 BN2/316L ASME BPE			D051 ^{1.)}	Handwheel PPS and attachment St. St.
VP	Stainless steel tube 1.4435 BN2/316L			D052 ^{2.)}	Handwheel and attachment St. St.
VS	Stainless steel-forged 1.4435 BN2/316L ASME BPE			1.) Alternatively D058 2.) Alternatively D059 or D102	
Key no. 6: Port connection (LTA1, LTA2)				Key no. V1, V2, ...: Variable code (VAR1, VAR2, VAR3)	
Listed in detail below				NK52 ^{3.)}	Acceptance test certificate 3.1 according to EN 10204
Key no. 7: Actuator version (ANTA)				NO14 ^{3.)}	Mechanically polished Ra ≤ 0.5 µm (ASME BPE SF1)
C	PA actuator (only CLASSIC)			NO17 ^{3.)}	Electropolished Ra ≤ 0.38 µm (ASME BPE SF4 / DIN HE4)
D	PPS actuator (only CLASSIC)			NO06 ^{3.)}	Mechanically polished Ra ≤ 0.76 µm (ASME BPE SF3 / DIN H2)
G	ELEMENT design actuator (only ELEMENT)			NO16 ^{3.)}	Electropolished Ra ≤ 0.6 µm (ASME BPE SF6)
H	St. St. actuator (only INOX)			EC04	Reduced spring force
3.) NK52, NOxx only for stainless steel bodies					

Key no. 6: Port connection (LTA)

Weld connection								
DN [mm]	EN ISO 1127 / ISO 4200 DIN 11866 R. B	SMS 3008	DIN 11850 R. 0	DIN 11850 R. 1	DIN 11850 R. 2 DIN 11866 R. A	DIN 11850 R. 3	BS4825	ASME BPE DIN 11866 R. C
4	-	-	SC40-6.0x1.0	-	-	-	-	-
6	SA78-10.2x1.6	-	SC41-8.0x1.0	-	-	-	-	SA89-3.17x0.56
8	SA40-13.5x1.6	-	SC42-10.0x1.0	-	-	-	SODB-6.35x1.2	SA90-6.35x0.89
10	SA41-17.2x1.6	-	-	SF40-12.0x1.0	SD40-13.0x1.5	SE40-14.0x2.0	SODC-9.53x1.2	SA91-9.53x0.89
15	SA42-21.3x1.6	SA58-12.0x1.0	SC43-18.0x1.5	SF41-18.0x1.0	SD42-19.0x1.5	SE42-20.0x2.0	SODD-12.7x1.2	SA92-12.7x1.65
20	SA43-26.9x1.6	SA59-18.0x1.0	SC44-22.0x1.5	SF42-22.0x1.0	SD43-23.0x1.5	SE43-24.0x2.0	SODE-19.05x1.2	SA93-19.05x1.65
25	SA44-33.7x2.0	SA60-25.0x1.2	SC45-28.0x1.5	SF43-28.0x1.0	SD44-29.0x1.5	SE44-30.0x2.0	-	SODF-25.4x1.65
32	SA45-42.4x2.0	SA61-33.7x1.2	SC46-34.0x1.5	SF44-34.0x1.0	SD45-35.0x1.5	SE45-36.0x2.0	-	-
40	SA46-48.3x2.0	SA62-38.0x1.2	SC47-40.0x1.5	SF45-40.0x1.0	SD46-41.0x1.5	SE46-42.0x2.0	-	SODH-38.1x1.65
50	SA47-60.3x2.0	SA63-51.0x1.2	SC48-52.0x1.5	SF46-52.0x1.0	SD47-53.0x1.5	SE47-54.0x2.0	-	SODI-50.8x1.65
65	SA48-76.1x2.0	SA64-63.5x1.6	-	-	SD48-70.0x2.0	-	-	SODJ-63.5x1.65
80	SA49-88.9x2.3	SA65-76.1x1.6	-	-	SD49-85.0x2.0	-	-	SODK-76.2x1.65
100	SA39-114.3x2.3	SA66-101.6x2.0	-	-	SD50-104.0x2.0	-	-	SODL-101.6x2.11

DTS 1000450610 EN Version: C Status: RL (released | freigegeben | valide) printed: 15.03.2022



บริษัท ฟลูเทค จำกัด
FLU-TECH CO.,LTD

845/3-4 หมู่ 3 ถ.เทพารักษ์ ต.เทพารักษ์ อ.เมือง จ.สมุทรปราการ 10270
 845/3-4 Thepharak RD., T.Thepharak, A.Muang, Samutprakarn 10270 THAILAND
 Tel. 0 2384 6060, Fax 0 2384 5701, Email : sales@flutech.co.th, www.flutech.co.th

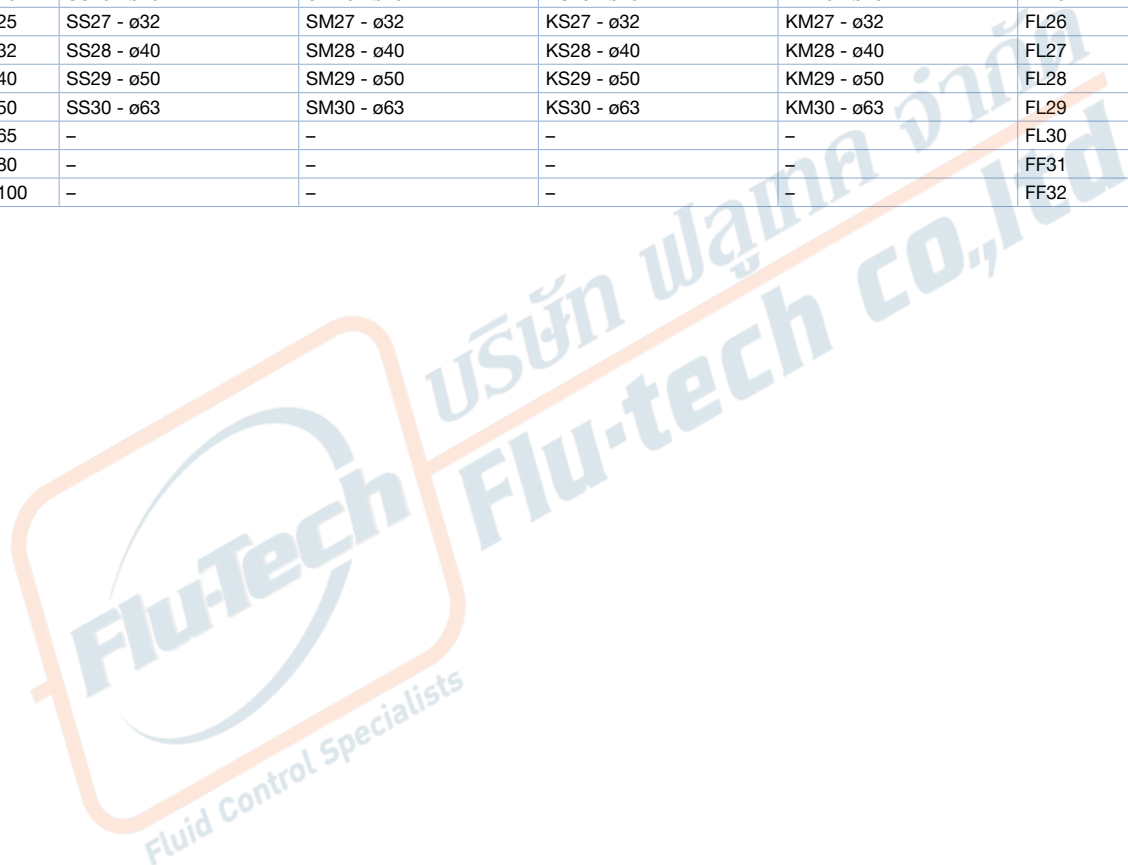
Product Enquiry Form
Diaphragm valve with straight
way valve, T-valve or tank bottom
valve

bürkert

Clamp connection					
DN [mm]	Clamp 34,0 similar to DIN 32676 R. B (ISO tube (ISO4200))	DIN 32676 R. A (DIN tube (DIN11850))	DIN 32676 R. B (ISO tube (ISO4200))	ASME BPE	BS 4825 (Clamp BS 4825-3, tube BS 4825-1)
8	TC51-13.5×1.6 Cl: 34.0	TD40-10.0×1.0 Cl: 25.0	TC40-13.5×1.6 Cl: 25.0	TG 50-6.35×0.89 Cl: 25.0	-
10	TC41-17.2×1.6 Cl: 34.0	TD41-13.0×1.5 Cl: 34.0	TC53-17.2×1.6 Cl: 25.0	TG 01-9.53×0.89 Cl: 25.0	-
15	TC42-21.3×1.6 Cl: 34.0	TD42-19.,0×1.5 Cl: 34.0	TC52-21.3×1.6 Cl: 50.5	TG 02-12.7×1.65 Cl: 25.0	TH42-12.7×1.2 Cl: 25.0
20	-	TD43-23.0×1.5 Cl: 34.0	TC43-26.9×1.6 Cl: 50.5	TG 03-19.05×1.65 Cl: 25.0	TH43-19.05×1.2 Cl: 25.0
25	-	TD44-29.0×1.5 Cl: 50.5	TC44-33.7×2.0 Cl: 50.5	TG 04-25.4×1.65 Cl: 50.5	-
32	-	-	-	-	-
40	-	TD46-41.0×1.5 Cl: 50.5	TC46-48.3×2.0 Cl: 64.0	TG 05-38.1×1.65 Cl: 50.5	-
50	-	TD47-53.0×1.5 Cl: 64.0	TC47-60.3×2.0 Cl: 77.5	TG 06-50.8×1.65 Cl: 64.0	-
65	-	-	TC48-76.1×2.0 Cl: 91.0	TG 07-63.5×1.65 Cl: 77.5	-
80	-	-	TC49-88.9×2.3 Cl: 106.0	TG 08-76.2x,65 Cl: 91.0	-
100	-	-	TC50-114.3×2.3 Cl: 130.0	TG 09-101.6×2.11 Cl: 119.0	-

Plastic connection					
DN [mm]	Welded connection socket (only WKST=PD, PP)	Welded connection threaded socket (only WKST=PD, PP)	Adhesive bond socket (only WKST=PV)	Adhesive bond threaded socket (only WKST=PV)	Loose-type flange (up to DN65) Fixed flange (from DN80)
15	SS25 - ø20	SM25 - ø20	KS25 - ø20	KM25 - ø20	FL24
20	SS26 - ø25	SM26 - ø25	KS26 - ø25	KM26 - ø25	FL25
25	SS27 - ø32	SM27 - ø32	KS27 - ø32	KM27 - ø32	FL26
32	SS28 - ø40	SM28 - ø40	KS28 - ø40	KM28 - ø40	FL27
40	SS29 - ø50	SM29 - ø50	KS29 - ø50	KM29 - ø50	FL28
50	SS30 - ø63	SM30 - ø63	KS30 - ø63	KM30 - ø63	FL29
65	-	-	-	-	FL30
80	-	-	-	-	FF31
100	-	-	-	-	FF32

DTS 1000450610 EN Version: C Status: RL (released | freigegeben | valide) printed: 15.03.2022



บริษัท ฟลูเทค จำกัด
FLU-TECH CO.,LTD

845/3-4 หมู่ 3 ถ.เทพารักษ์ ต.เทพารักษ์ อ.เมือง จ.สมุทรปราการ 10270
 845/3-4 Thepharak RD., T.Thepharak, A.Muang, Samutprakarn 10270 THAILAND
 Tel. 0 2384 6060, Fax 0 2384 5701, Email : sales@flutech.co.th, www.flutech.co.th

Control heads / pneumatic control for on/off process valves of the CLASSIC series

For actuator size ø40 to 225 mm

Electrical position feedback Type 8697 ▶



- Optical position indicator
- Mechanical or inductive limit switches for end position registering
- Optional intrinsically safe version acc. to ATEX / IECEx

Electrical connection

Cable gland

M12 connector^{1.)}

Number of end position feedback switches

2x Micro or inductive

Approvals

ATEX cat. 3GD, IECEx

ATEX cat. 2DG, IECEx

Without

Position feedback switch

Micro switch 24 V DC

Micro switch 50...225 V DC/AC

Inductive switch 3-wire PNP

Inductive switch 2-wire NAMUR

Inductive switch 2-wire 24 V DC

Without

1.) Applicable only with inductive switch 3-wire PNP

