



## Pneumatic rotary actuator

- Modular program for mounting to armatures such as ball valves and butterfly valves
- NAMUR and ISO 5211 interfaces
- Position feedbacks
- Mounting of SIDE control positioner
- ATEX

Product variants described in the data sheet may differ from the product presentation and description.

### Can be combined with

	<b>Type 2654</b> 2/2 way ball valve 3-piece	▶
	<b>Type 2651</b> 2/2 or 3/2 way Ball Valve, 2-Piece	▶
	<b>Type 2657</b> Ball Valve, manually-operated	▶
	<b>Type 2671</b> Butterfly valve	▶
	<b>Type 2674</b> Plastic butterfly valve	▶
	<b>Type 1061</b> Accessory for pneumatic rotary actuators	▶
	<b>Type 6519</b> Servo-assisted 5/2, 5/3 or 3/2 way Solenoid Valve for pneumatics	▶
	<b>Type 8792</b> Digital electropneumatic Positioner Side-Control	▶

### Type description

The Type 2052 pneumatic rotary actuator consists of a single or double-acting pneumatic linear piston actuator with an internal coupling to a rotary joint and a universal mechanical interface acc. to ISO 5211. The actuator shaft is rotated 90° via the coupling by the linear movement of the piston due to the compressive force of the pilot air or the force of the return springs. This rotation movement can be utilised for respective actuators such as ball valves, flaps, etc. The actuator has an optical display for the rotation position. The actuator is cathaphoresis and Rilsan coated internally and externally which makes it very corrosion resistant and maintenance free.

## Table of contents

<b>1. General technical data</b>	<b>3</b>
<b>2. Circuit functions</b>	<b>3</b>
<b>3. Dimensions</b>	<b>4</b>
3.1. Aluminium actuator.....	4
3.2. Polyamide actuator.....	5
<b>4. Product operation</b>	<b>6</b>
4.1. Functional overview.....	6
<b>5. Ordering information</b>	<b>7</b>
5.1. Bürkert eShop – Easy ordering and quick delivery.....	7
5.2. Bürkert product filter.....	7
5.3. Ordering chart aluminium actuator.....	7
Double-acting actuator (Control function I).....	7
Single-acting actuator (6 spring packages per side).....	8
5.4. Ordering chart polyamide actuator.....	8
Double-acting actuator (Control function I).....	8
Single-acting actuator (Control function A, 6 spring packages per side).....	8
5.5. Ordering chart accessories.....	9
Position feedback Type 1061.....	9
Positioner Type 8792.....	9
Positioner mounting kit Type 8792/3.....	9
Solenoid valve Type 6519.....	9
Cable plug Type 2518, Form A according to DIN EN 175301 - 803.....	10
Conversion sleeves.....	10



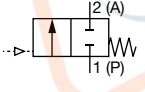
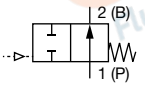
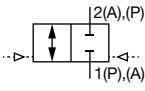
## 1. General technical data

Type overview	Aluminium actuator	Polyamide Actuator
<b>Product properties</b>		
Dimensions	Detailed information can be found in chapter "3. Dimensions" on page 4.	
<b>Material</b>		
Actuator	Aluminium (cataphoresis/polyamide coating)	Polyamide and glass fiber
Piston	Aluminium (cataphoresis coating), polyarylamid <sup>1.)</sup>	Polyarylamide
Seal	NBR	NBR
Rotation angle	90° (optional 180°)	90°
Adjustable angle	-2°...5° / 85°...92°	-
<b>Performance data</b>		
Pressure range	3...8 bar	3...8 bar
<b>Medium data</b>		
Operating medium	Filtered compressed air with or without oil, water	
<b>Process/Port connection &amp; communication</b>		
<b>Interface</b>		
Pilot air ports	NAMUR flange interface VDI/VDE 3845, G ¼	
Feedback signal	NAMUR VDI/VDE 3845	
Fittings	ISO 5211	
<b>Approvals and certificates</b>		
Approvals	<ul style="list-style-type: none"> <li>• ATEX 94/9/EG</li> <li>• Pressure Equipment Directive 97/23/EC (PED)</li> <li>• IEC 61508 SIL3<sup>2.)</sup></li> <li>• Det Norske Veritas (DNV)</li> </ul>	<ul style="list-style-type: none"> <li>• ATEX 94/9/EG</li> <li>• Pressure Equipment Directive 97/23/EC (PED)</li> <li>• IEC 61508 SIL3</li> <li>• Det Norske Veritas (DNV)</li> </ul>
<b>Environment and installation</b>		
Ambient temperature	-32 °C...+90 °C	

1.) Only for actuator in size W (see chapter "3. Dimensions" on page 4)

2.) Exceptions are marked, see chapter "5.3. Ordering chart aluminium actuator" on page 7

## 2. Circuit functions

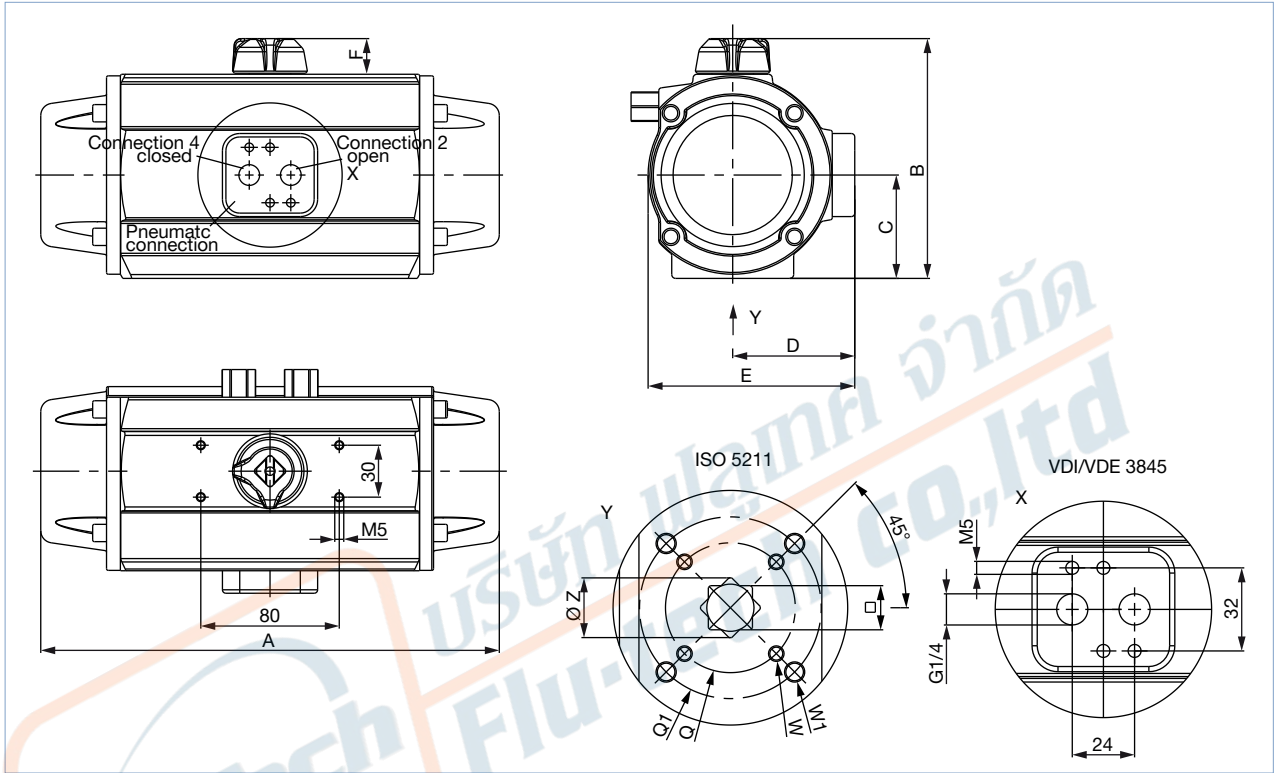
Control functions	Description
	<b>CF: A, pneumatically operated on/off valve</b> 2/2 way Flow direction above seat Normally closed by spring force
	<b>CF: B, single-acting actuator for pneumatically operated on/off valve</b> 2/2 way Normally opened by spring force
	<b>CF: I, pneumatically operated on/off valve on either side</b> 2/2 way Bidirectional Normally closed (without spring)

### 3. Dimensions

#### 3.1. Aluminium actuator

**Note:**

Dimensions in mm



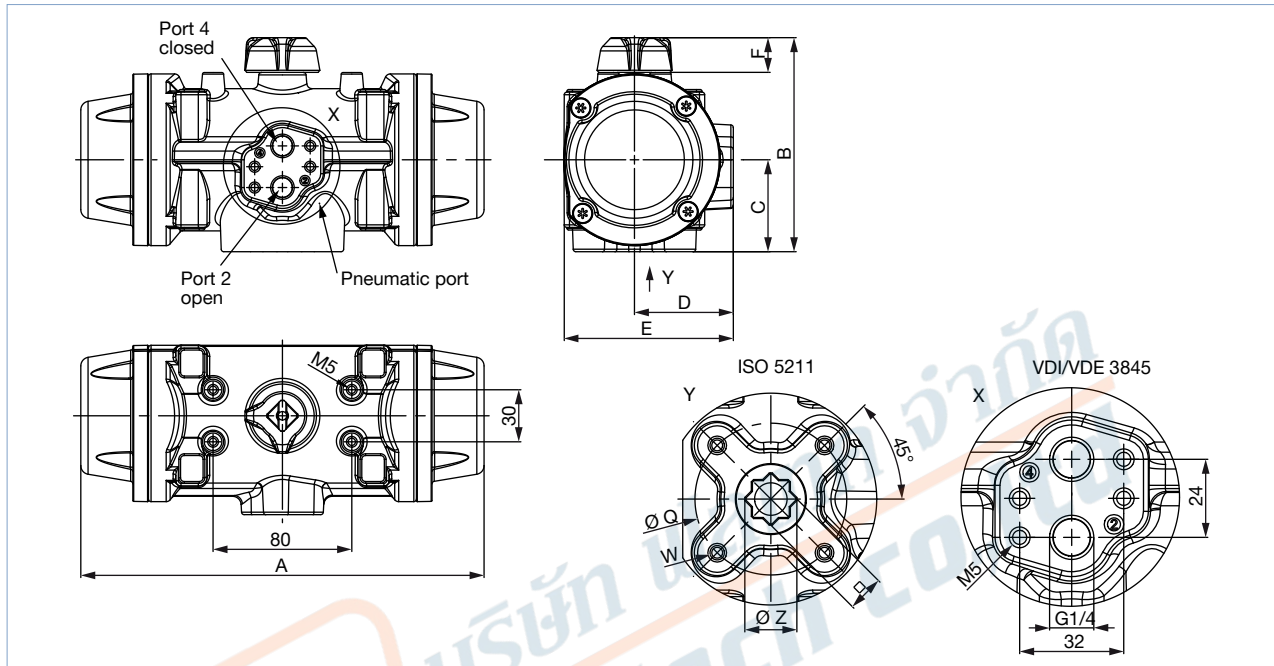
Size	A	B	C	D	E	F	Q	Q1	W	W1	Ø Z1	SW	ISO5211
W	140.2	89.3	37.2	48.2	76.1	20	36	42	M5	M5	14.3	11	F03-04
J / 00	152.3	102.1	43.2	52.2	84.1	20	42	50	M5	M6	19	14	F04-05
5 / 05	201.2	119	49.2	61.7	101.6	20	50	70	M6	M8	23	17	F05-07
K / 10	225.1	123.1	52.2	62.7	103.6	20	50	70	M6	M8	23	17	F05-07
L / 15	264.2	138.6	59.7	70.5	119.4	20	50	70	M6	M8	23	17	F05-07
Q / 20	311	147.3	63.7	75.1	127.5	20	50	70	M6	M8	29	22	F05-07
Y / 25	356.2	174.6	77.2	89.2	153.5	20	70	102	M8	M10	36.5	27	F07-10
M / 30	427.5	191	86.3	97.2	169	20	70	102	M8	M10	36.5	27	F07-10
40	598.4	272	116	120	226	50	102	125	M10	M12	49	36	F10-12
50	694	313	133	135	257.5	50	140	-	M16	-	49	36	F14
60	672.5	368	162.2	172	330.5	50	165	-	M20	-	61	46	F16
70	742.5	428	191	217	403	50	165	-	M20	-	61	46	F16

DTS 1000202407 EN Version: F Status: RL (released | freigegeben | valide) printed: 12.01.2021

3.2. Polyamide actuator

Note:

Dimensions in mm



Size	A	B	C	D	E	F	Q	W	Ø Z1	SW	ISO5211
W	144	89	35.5	42.5	70.4	20	42 (36 optional)	M5	14.1	11	F04 (F03 optional)
J / 00	158	101.4	43	47.5	77.6	20	50	M6	19	14	F05
K / 10	230	123	52.7	56.5	97.1	20	70	M8	23	17	F07
Q / 20	313	146.4	63.8	67.5	120.6	20	70	M8	29	22	F07

DTS 1000202407 EN Version: F Status: RL (released | freigegeben | valide) printed: 12.01.2021

## 4. Product operation

### 4.1. Functional overview

**Note:**

Top view

<p><b>Control function A</b></p>	<p><b>Description</b></p> <p>Air supplied to port "2" forces the pistons towards the actuator end caps, compressing the springs. A counter-clockwise rotation is achieved. Exhaust air exits from port 4.</p>
	<p>The loss of air pressure (air or electric failure) at port "2" allows the springs to force the pistons inwards. A clockwise rotation is achieved. Exhaust air exits from port 2.</p>
<p><b>Control function B</b></p> <p>—</p>	<p><b>Description</b></p> <p>For control function B, the rotating direction is the reverse of control function A.</p>
<p><b>Control function I</b></p>	<p><b>Description</b></p> <p>Air supplied to port 2 forces the pistons towards the actuator end caps. A counterclockwise rotation is achieved. Exhaust air exits from port 4.</p>
	<p>Air supplied to port 4 forces the pistons inwards. A clockwise rotation is achieved. Exhaust air exits from port 2.</p>

DTS 1000202407 EN Version: F Status: RL (released | freigegeben | validé) printed: 12.01.2021

## 5. Ordering information

### 5.1. Bürkert eShop – Easy ordering and quick delivery



#### Bürkert eShop – Easy ordering and fast delivery

You want to find your desired Bürkert product or spare part quickly and order directly? Our online shop is available for you 24/7. Sign up and enjoy all the benefits.

[Order online now](#)

### 5.2. Bürkert product filter



#### Bürkert product filter – Get quickly to the right product

You want to select products comfortably based on your technical requirements? Use the Bürkert product filter and find suitable articles for your application quickly and easily.

[Try out our product filter](#)

### 5.3. Ordering chart aluminium actuator

#### Double-acting actuator (Control function I)

Actuator size	Torque [Nm] depending on control pressure							Air volume [l]		Weight [kg]	Article no.
	Control pressure [bar]							Opening	Closing		
	3	4	5	5.5	6	7	8				
W	7.90	11.30	14.10	15.50	17.00	19.80	22.90	0.075	0.11	0.92	254851 ๒
J / 00	11.60	16.10	20.50	22.70	25.00	29.50	33.90	0.15	0.18	1.40	254852 ๒
5 / 05	23.50	32.30	41.00	45.30	49.70	58.40	67.10	0.28	0.37	2.57	254853 ๒
K / 10	32.90	45.60	58.30	65.00	71.00	83.70	96.40	0.35	0.45	3.08	254854 ๒
L / 15	55.20	75.60	96.00	106.20	116.50	136.90	157.40	0.65	0.82	4.20	254855 ๒
Q / 20	77.70	107.00	136.30	151.00	165.50	194.80	224.00	0.80	1.15	5.61	254856 ๒
Y / 25	140.10	190.10	240.00	264.90	290.00	339.90	393.90	1.50	2.02	9.30	254857 ๒
M / 30	226.50	307.40	388.30	428.70	469.20	550.10	631.00	2.05	3.00	11.60	254858 ๒ <sup>1.)</sup>
40	582.50	751.60	980.80	1080.00	1180.00	1379.00	1578.00	5.30	5.30	17.60	293856 ๒
50	998.00	1354.00	1711.00	1889.00	2067.00	2424.00	2780.00	10.50	7.00	30.70	293857 ๒ <sup>1.)</sup>
60	1638.00	2245.00	2851.00	3155.00	3458.00	4065.00	4672.00	19.50	20.70	48.30	293858 ๒ <sup>1.)</sup>
70	2389.00	3273.00	4158.00	4600.00	5043.00	5927.00	6812.00	31.00	30.00	77.90	293859 ๒ <sup>1.)</sup>

1.) Approval IEC 61508 SIL2

Visit product website ►

7 | 11



บริษัท ฟลูเทค จำกัด  
FLU-TECH CO.,LTD

845/3-4 หมู่ 3 ถ.เทพารักษ์ ต.เทพารักษ์ อ.เมือง จ.สมุทรปราการ 10270  
845/3-4 Thepharak RD., T.Thepharak, A.Muang, Samutprakarn 10270 THAILAND  
Tel. 0 2384 6060, Fax 0 2384 5701, Email : sales@flutech.co.th, www.flutech.co.th

Single-acting actuator (6 spring packages per side)

Actuator size	Torque [Nm] depending on control pressure								Air volume [l]		Weight [kg]	Article no. Control function A	Article no. Control function B
	Control pressure [bar]								Opening	Closing			
	5		6		8								
	0°	90°	0°	90°	0°	90°	90°	0°					
W	7.40	4.10	10.30	7.00	16.20	12.90	10.00	6.70	0.075	0.11	1.00	254859 <sup>1)</sup>	292646 <sup>1)</sup>
J / 00	9.40	4.00	13.90	8.50	22.80	17.40	16.50	11.10	0.15	0.18	1.63	254860 <sup>1)</sup>	292647 <sup>1)</sup>
5 / 05	20.10	9.60	28.80	18.30	46.20	35.70	31.40	20.90	0.28	0.37	2.94	254861 <sup>1)</sup>	292648 <sup>1)</sup>
K / 10	27.50	12.70	40.20	25.40	65.60	50.80	45.60	30.80	0.35	0.45	3.48	254862 <sup>1)</sup>	292649 <sup>1)</sup>
L / 15	47.00	24.50	67.50	45.00	108.40	85.90	71.50	49.00	0.65	0.82	5.04	254863 <sup>1)</sup>	292650 <sup>1)</sup>
Q / 20	70.50	31.60	99.70	60.80	158.20	119.30	104.70	65.80	0.80	1.15	6.63	254864 <sup>1)</sup>	292651 <sup>1)</sup>
Y / 25	120.60	58.20	170.60	108.20	274.50	212.10	181.80	119.40	1.50	2.02	11.30	254865 <sup>1)</sup>	292652 <sup>1)</sup>
M / 30	192.60	98.00	273.50	178.90	435.30	340.70	290.30	195.70	2.05	3.00	15.30	254866 <sup>1)</sup>	292653 <sup>1)</sup>
40	489.10	213.80	688.30	413.00	1087.00	811.30	766.90	491.60	5.30	5.30	36.40	293860 <sup>1)</sup>	293866 <sup>1)</sup>
50	987.40	505.00	1344.00	861.40	2057.00	1574.00	1206.00	723.60	10.50	7.00	58.40	293861 <sup>1)</sup>	293867 <sup>1)</sup>
60	1468.00	776.00	2075.00	1383.00	3289.00	2597.00	2075.00	1383.00	19.50	20.70	83.20	293863 <sup>2)</sup>	293868 <sup>2)</sup>
70	2389.00	619.00	3273.00	1504.00	5043.00	2273.00	3539.00	1769.00	31.00	30.00	118.20	293864 <sup>1)</sup>	283869 <sup>1)</sup>

1.) Approval IEC 61508 SIL2

2.) Approval IEC 61508 SIL1

5.4. Ordering chart polyamide actuator

Double-acting actuator (Control function I)

Actuator size	Torque [Nm] depending on control pressure							Air volume [l]		Weight [kg]	Article no.
	Control pressure [bar]							Opening	Closing		
3	4	5	5.5	6	7	8					
W	7.90	11.30	14.10	15.50	17.00	19.80	22.90	0.075	0.05	0.47	276763 <sup>1)</sup> (F04) 284433 <sup>1)</sup> (F03)
J / 00	13.30	18.30	23.40	26.00	28.50	33.60	38.70	0.15	0.18	0.83	276764 <sup>1)</sup>
K / 10	32.90	45.60	58.30	65.00	71.00	83.70	96.40	0.35	0.45	1.65	276765 <sup>1)</sup>
Q / 20	77.70	107.00	136.30	150.90	165.40	194.80	224.00	0.80	1.15	3.22	276766 <sup>1)</sup>

Single-acting actuator (Control function A, 6 spring packages per side)

Actuator size	Torque [Nm] depending on control pressure								Air volume [l]		Weight [kg]	Article no. Control function A	Article no. Control function B
	Control pressure [bar]								Opening	Closing			
	5		6		8								
	0°	90°	0°	90°	0°	90°	90°	0°					
W	7.40	4.10	10.30	7.00	16.20	12.90	10.00	6.70	0.075	0.05	0.55	276767 <sup>1)</sup> (F04) 284434 <sup>1)</sup> (F03)	292654 <sup>1)</sup> (F04) 292655 <sup>1)</sup> (F03)
J / 00	10.70	4.60	15.80	9.70	26.00	19.90	18.80	12.70	0.15	0.18	1.00	276768 <sup>1)</sup>	292656 <sup>1)</sup>
K / 10	27.50	12.70	40.20	25.40	65.60	50.80	45.60	30.80	0.35	0.45	2.03	260114 <sup>1)</sup>	292657 <sup>1)</sup>
Q / 20	70.50	31.60	99.70	60.80	158.20	119.30	104.70	65.80	0.80	1.15	4.22	276769 <sup>1)</sup>	292658 <sup>1)</sup>

Visit product website ▶





## 5.5. Ordering chart accessories

## Position feedback Type 1061

## Note:

- Adjustable mounting bracket included
- Further versions see data sheet **Type 1061** ▶.

Description	Article no.
Position feedback (electromechanical)	773151 ฆ
Position feedback (electromechanical) with integrated 3/2 way solenoid valve	773139 ฆ
Position feedback (electromechanical) with integrated 5/2 way solenoid valve	773140 ฆ
Position feedback (inductive)	773152 ฆ
Position feedback (inductive) with integrated 3/2 way solenoid valve	773141 ฆ
Position feedback (inductive) with integrated 5/2 way solenoid valve	773142 ฆ
Position feedback (inductive) – ATEX version	773153 ฆ
Position feedback (inductive) with integrated 3/2 way solenoid valve – ATEX version	773143 ฆ
Position feedback (inductive) with integrated 5/2 way solenoid valve – ATEX version	773144 ฆ

## Positioner Type 8792

## Note:

Further versions see data sheet **Type 8792** ▶.

Description	Article no.
Positioner SideControl without analogue feedback	317985 ฆ
Positioner SideControl with analogue feedback	317986 ฆ

## Positioner mounting kit Type 8792/3

## Note:

Further versions see data sheet **Type 8792** ▶ or **Type 8793** ▶.

Description	Article no.
Universal adapter for shaft	787338 ฆ
Universal mounting bracket	770294 ฆ

## Solenoid valve Type 6519

## Note:

Further versions see data sheet **Type 6519** ▶.

Description	Article no.
3/2 and 5/2 way pneumatic valve 32 mm 24 V DC NAMUR	131421 ฆ
3/2 and 5/2 way pneumatic valve 32 mm 110 V AC NAMUR	131423 ฆ
3/2 and 5/2 way pneumatic valve 32 mm 230 V AC NAMUR	131424 ฆ

Visit product website ▶

9 | 11




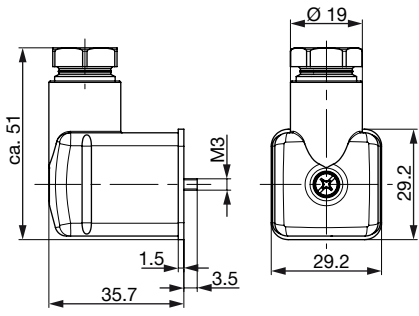
บริษัท ฟลูเทค จำกัด  
FLU-TECH CO.,LTD

845/3-4 หมู่ 3 ถ.เทพารักษ์ ต.เทพารักษ์ อ.เมือง จ.สมุทรปราการ 10270  
845/3-4 Thepharak RD., T.Thepharak, A.Muang, Samutprakarn 10270 THAILAND  
Tel. 0 2384 6060, Fax 0 2384 5701, Email : sales@flutech.co.th, www.flutech.co.th

## Cable plug Type 2518, Form A according to DIN EN 175301 -803

## Note:

Further versions see data sheet **Type 2518** ▶.

Cable plug	Dimensions	Version	Voltage	Article no.
		Without circuitry (AC/DC)	0...250 V AC/DC	314802 𠄎

## Conversion sleeves

Description	Article no.
Conversion Sleeve star/square 14/9 mm	665288 𠄎
Conversion Sleeve star/square 14/11 mm	665289 𠄎
Conversion Sleeve square/square 17/14 mm	665290 𠄎
Conversion Sleeve star/square 17/14 mm	773348 𠄎
Conversion Sleeve star/square 17/11 mm	773343 𠄎
Conversion Sleeve square/square 22/19 mm	773836 𠄎
Conversion Sleeve star/square 22/17 mm	684858 𠄎
Conversion Sleeve star/star 22/14 mm	666684 𠄎
Conversion Sleeve star/square 22/11 mm	773344 𠄎
Conversion Sleeve star/square 27/22 mm	774594 𠄎
Conversion Sleeve square/square 27/19 mm	774279 𠄎
Conversion Sleeve square/square 27/17 mm	774193 𠄎
Universal adapter for shaft to mount a positioner	787338 𠄎
Universal assembly bridge to mount a positioner	770294 𠄎