



Fasteners for cylinder

- Numerous installation parts
- Simple installation



Product variants described in the data sheet may differ from the product presentation and description.

DTS 100011834 EN Version: D Status: RL (released | freigegeben | valide) printed: 27.08.2019

Table of contents

1. General technical data	3
2. Product versions	3
3. Ordering information	3
3.1. Bürkert eShop – Easy ordering and quick delivery.....	3
3.2. Bürkert product filter.....	4
3.3. Ordering chart fastening elements for cylinder Ø 32 to 125 mm for TZU002	4
Overview fastener elements for cylinder ISO 15552, Ø 32 to 125 mm.....	4
Head and floor flange fastener, aluminium for TZU002.....	4
Female hinge, aluminium for TZU002.....	5
Male hinge, aluminium for TZU002.....	5
Counter hinge, Cetop - including rigid bearing, aluminium pressure cast for TZU002	6
Foot fastener, steel plated for TZU002	6
Counter hinge, ISO, aluminium for TZU002.....	7
Flexible coupling, steel plated for TZU002	7
Bearing support, aluminium for TZU002	8
Rod eye, steel plated for TZU002.....	8
Fork head, steel plated for TZU002	9
DIN 439 1014 hex nuts, steel plated for TZU002	9
Gasket replacement set for TZU002.....	10
3.4. Ordering chart fastening elements for cylinder Ø 8 to 25 mm for TZG001	11
Overview fastener elements for cylinder ISO 6432, Ø 8 to 25 mm.....	11
Foot fastener for TZG001.....	11
Flange fastener for TZG001.....	11
Counter hinge block for TZG001	12
Fastening and piston arm nuts for TZG001	12
Fork head for TZG001.....	13
Rod eye with spherical bearing for TZG001	13

1. General technical data

Note:

Further versions on request

Product properties

Materials	Aluminium, aluminium die casting, steel, plated
-----------	---

2. Product versions

The fasteners listed below are listed within this data sheet:

Fastener elements for cylinder ISO 15552, Ø 32 to 125 mm

- Head and floor flange fastener
- Female hinge
- Male hinge
- Counter hinge, Cetop
- Foot fastener
- Counter hinge, ISO
- Flexible coupling
- Bearing support
- Rod eye
- Fork head
- DIN 439 1014 hex nut
- Gasket replacement set

Fastener elements for cylinder ISO 6432, Ø 8 to 25 mm

- Foot fastener
- Flange fastener
- Counter hinge
- Fastening and piston arm nuts
- Fork head
- Fork head with spherical bearing
- Rod eye

3. Ordering information

3.1. Bürkert eShop – Easy ordering and quick delivery

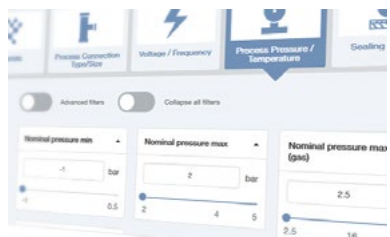


Bürkert eShop – Easy ordering and fast delivery

You want to find your desired Bürkert product or spare part quickly and order directly? Our online shop is available for you 24/7. Sign up and enjoy all the benefits.

[Order online now](#)

3.2. Bürkert product filter



Bürkert product filter – Get quickly to the right product

You want to select products comfortably based on your technical requirements? Use the Bürkert product filter and find suitable articles for your application quickly and easily.

[Try out our product filter](#)

3.3. Ordering chart fastening elements for cylinder Ø 32 to 125 mm for TZU002

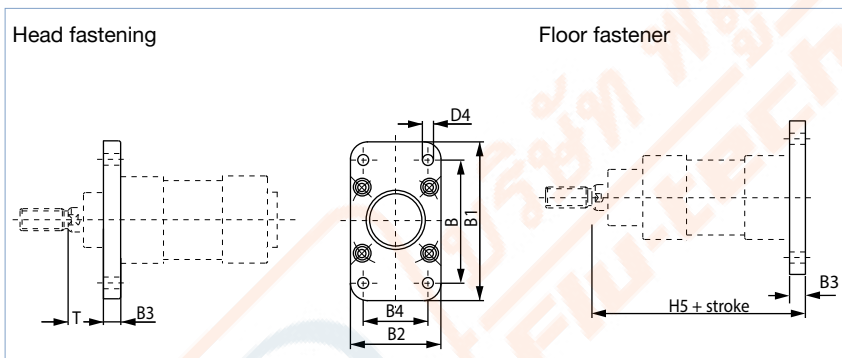
Overview fastener elements for cylinder ISO 15552, Ø 32 to 125 mm

An overview of the fastener elements for cylinder ISO 15552, Ø 32 to 125 mm can be found in chapter [“2. Product versions”](#) on [page 3](#).

Head and floor flange fastener, aluminium for TZU002

Note:

The product consists of 1 flange and 4 fastening screws.



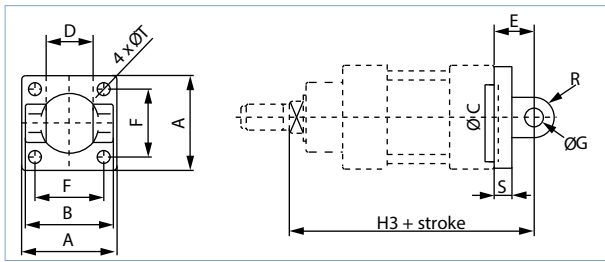
Ø [mm]	B [mm]	B1 [mm]	B2 [mm]	B3 [mm]	B4 [mm]	Ø D4 [mm]	H5 + stroke [mm]	T [mm]	Article no.
32	64	80	50	10	32	7	130	16	780303
40	72	90	55	10	36	9	145	20	780304
50	90	110	65	12	45	9	155	25	780305
63	100	120	75	12	50	9	170	25	780306
80	126	153	95	16	63	12	190	30	780307
100	150	1478	115	16	75	14	205	35	780308
125	180	220	140	20	90	16	245	45	780309

DTS 100011834 EN Version: D Status: RL (released | freigegeben | valide) printed: 27.08.2019

Female hinge, aluminium for TZU002

Note:

The product consists of 1 swivel flange, 1 axle bolt with 2 locknuts, 4 fastening screws, and 4 spring nuts.

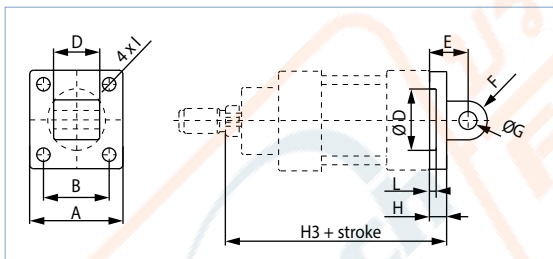


Ø	A	B	C	D	E	F	G	H3 + stroke	R	S	T	Article no.
[mm]	[mm]	[mm]	[mm]	[mm]	[mm]	[mm]	[mm]	[mm]	[mm]	[mm]	[mm]	[mm]
32	45	45	30	26	22	32.5	10	142	11	10	7	780310
40	52	52	35	28	25	38	12	160	13	10	7	780311
50	65	60	40	32	27	46.5	12	170	13	12	9	780312
63	75	70	45	40	32	56.5	16	190	17	12	9	780313
80	95	90	45	50	36	72	16	210	17	16	11	780314
100	115	110	55	60	41	89	20	230	21	16	11	780315
125	140	130	60	70	50	110	25	275	26	20	14	780316

Male hinge, aluminium for TZU002

Note:

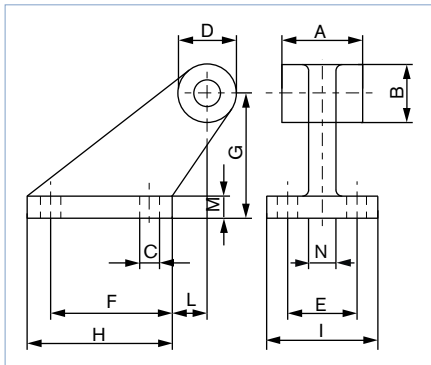
The product consists of Consisting of 1 swivel flange and 4 fastening screws.



Ø	A	B	C	D	E	F	G	H	I	L	H3 + stroke	Article no.
[mm]	[mm]	[mm]	[mm]	[mm]	[mm]	[mm]	[mm]	[mm]	[mm]	[mm]	[mm]	[mm]
32	45	32.5	30	26	22	11	10	10	7	7	142	780317
40	52	38.0	35	28	25	13	12	10	7	7	160	780318
50	65	46.5	40	32	27	13	12	12	9	7	170	780319
63	75	56.5	45	40	32	17	16	12	9	7	190	780320
80	95	72.0	45	50	36	17	16	16	11	9	210	780321
100	115	89.0	55	60	41	21	20	16	11	9	230	780322
125	140	110	60	70	50	26	25	20	14	9	275	780323

DTS 100011834 EN Version: D Status: RL (released | freigegeben | valide) printed: 27.08.2019

Counter hinge, Cetop - including rigid bearing, aluminium pressure cast for TZU002

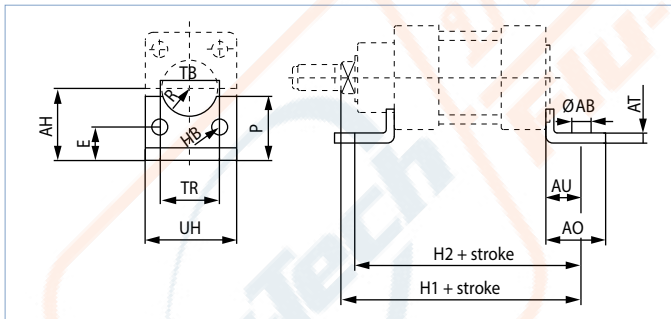


Ø	A	B	C	D	E	F	G	H	I	L	M	N	Article no.
[mm]	[mm]	[mm]	[mm]	[mm]	[mm]	[mm]	[mm]	[mm]	[mm]	[mm]	[mm]	[mm]	
32	26	19	7	10	25	20	32	37	41	18	8	10	780324
40	28	26	9	12	32	32	45	54	52	25	10	12	780325
50	32	26	9	12	32	32	45	54	52	25	10	12	780326
63	40	33	11	16	40	50	63	75	63	32	12	15	780327
80	50	33	11	16	40	50	63	75	63	32	12	15	780328
100	60	44	14	20	50	70	90	103	80	40	16	22	780329
125	70	44	14	25	50	70	90	103	80	40	16	22	780330

Foot fastener, steel plated for TZU002

Note:

Product consists of 1 angle and 2 fastening screws. Two needed for each cylinder.



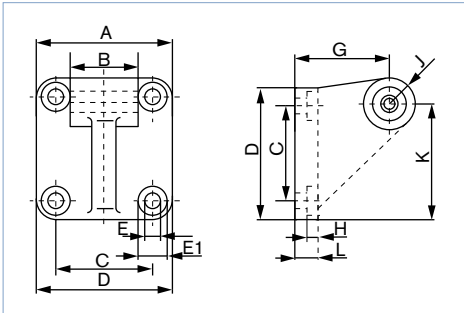
Ø	AB (H13)	AH	AO	AT	AU (JS14)	E (JS14)	HB	P	R	TB ±0.2	TR (JS14)	UH	H1	H2	Article no.
[mm]	[mm]	[mm]	[mm]	[mm]	[mm]	[mm]	[mm]	[mm]	[mm]	[mm]	[mm]	[mm]	[mm]	[mm]	
32	7	32	35	4	24	15.75	7	26	15.5	32.5	32	45	144	142	780331
40	9	36	43	4	28	17	7	27	18	38	36	52	163	161	780332
50	9	45	47	4	32	21.75	9	35	20.5	46.5	45	65	175	170	780333
63	9	50	47	6	32	21.75	9	35	23	56.5	50	75	190	185	780334
80	12	63	61	6	41	27	11	46	23	72	63	95	215	210	780335
100	14	71	66	6	41	26.5	11	48	28	89	75	115	230	220	780336
125	16	90	70	7	45	35	13	80	30.5	110	90	140	270	250	780337

DTS 100011834 EN Version: D Status: RL (released | freigegeben | valide) printed: 27.08.2019

Counter hinge, ISO, aluminium for TZU002

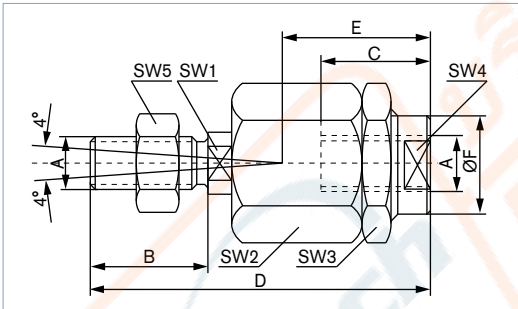
Note:

Product consists of 1 swivel flange and 4 fastening screws.



Ø	A	B (h11)	C	D	Ø E	Ø E1	OF (H8h11)	G	H	J	K	L	Article no.
[mm]	[mm]	[mm]	[mm]	[mm]	[mm]	[mm]	[mm]	[mm]	[mm]	[mm]	[mm]	[mm]	
32	46	26	32.5	46	7	12	10	32	5	10	39	10	780338
40	53	28	38	52	7	12	12	36	5	12	43.5	10	780339
50	61	32	46.5	64	9	14	12	45	5	12	56.5	11	780340
63	71	40	56.5	74	9	14	16	50	5	16	64	11	780341
80	91	50	72	94	11	17	16	63	6.5	16	86	14	780342
100	111	60	89	113	11	17	20	73	6.5	20	102.5	16	780343

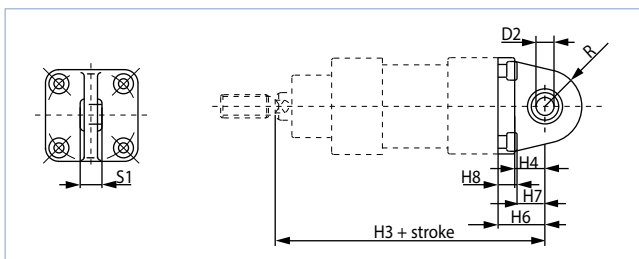
Flexible coupling, steel plated for TZU002



For cylinder Ø	A	B	C	D	Ø E	Ø F	SW1	SW2	SW3	SW4	SW5	Article no.
[mm]	[mm]	[mm]	[mm]	[mm]	[mm]	[mm]	[mm]	[mm]	[mm]	[mm]	[mm]	
32	M10 × 1.25	20	23	70	31	21.5	12	30	30	19	17	780345
40	M12 × 1.25	23	23	67	31	21.5	12	30	30	19	19	780346
50	M16 × 1.5	40	34	112	45	33.5	19	41	41	30	30	780347
63	M16 × 1.5	40	34	112	45	33.5	19	41	41	30	30	780347
80	M20 × 1.5	39	42	122	56	33.5	19	41	41	30	30	780348
100	M20 × 1.5	39	42	122	56	33.5	19	41	41	30	30	780348

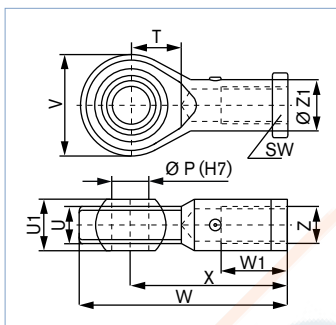
DTS 100011834 EN Version: RL (released | freigegeben | valide) printed: 27.08.2019

Bearing support, aluminium for TZU002



Ø [mm]	Ø D2 [mm]	H3 + stroke [mm]	H4 [mm]	H6 [mm]	H7 [mm]	H8 [mm]	R [mm]	S1 [mm]	Article no.
32	10	142	12	22	11	10	18	14	780359
40	12	160	15	25	14	10	21	16	780360
50	12	170	16	27	15	11	23	16	780361
63	16	190	21	32	20	11	27	21	780362
80	16	210	22	36	21	14	29	21	780363
100	20	230	25	41	24	16	34	25	780364

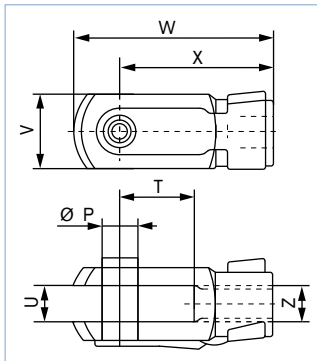
Rod eye, steel plated for TZU002



Ø [mm]	Ø P (H7) [mm]	T [mm]	U [mm]	U1 [mm]	V [mm]	W [mm]	W1 [mm]	X [mm]	Z [mm]	ØZ1 [mm]	SW [mm]	Article no.
32	10	15	10.5	14	28	57	20	43	M10×1.25	15	17	780366
40	12	17	12	16	32	66	22	50	M12×1.25	17.5	19	780367
50	16	22	15	21	42	85	28	64	M16×1.5	22	22	780368
63	16	22	15	21	42	85	28	64	M16×1.5	22	22	780368
80	20	26	18	25	50	102	33	77	M20×1.5	27.5	32	780369
100	20	26	18	25	50	102	33	77	M20×1.5	27.5	32	780369
125	30	36	25	37	70	145	51	110	M27×2	40	41	780370

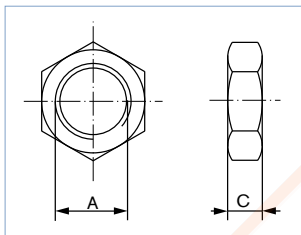
DTS 100011834 EN Version: D Status: RL (released | freigegeben | valide) printed: 27.08.2019

Fork head, steel plated for TZU002



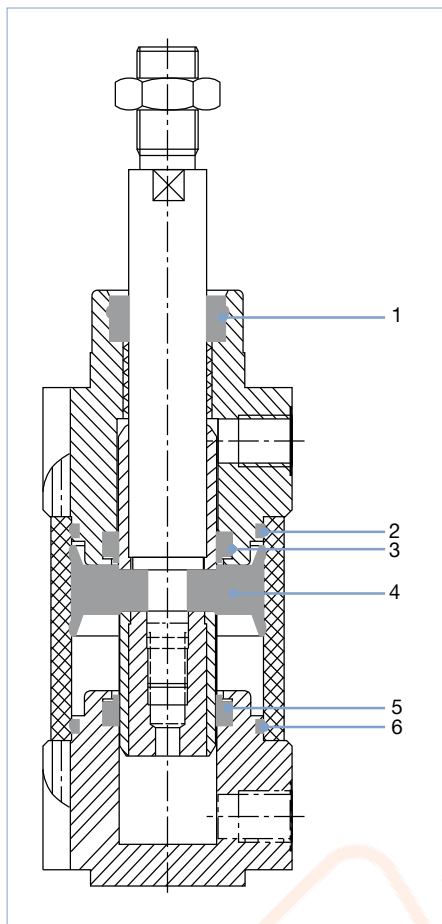
Kolben-Ø [mm]	ØP [mm]	T [mm]	U [mm]	V [mm]	W [mm]	X [mm]	Z [mm]	Article no.
32	10	20	10	20	52	40	M10×1.25	780371
40	12	24	12	24	62	48	M12×1.25	780372
50, 63	16	32	16	32	83	64	M16×1.5	780373
80, 100	20	40	20	40	105	80	M20×1.5	780374
125	30	54	30	55	148	100	M27×2	780375

DIN 439 1014 hex nuts, steel plated for TZU002



Piston-Ø [mm]	A [mm]	C [mm]	Article no.
32	M10×1.25	6	780376
40	M12×1.25	7	780377
50, 63	M16×1.5	8	780378
80, 100	M20×1.5	9	780379
125	M27×2	10	780380

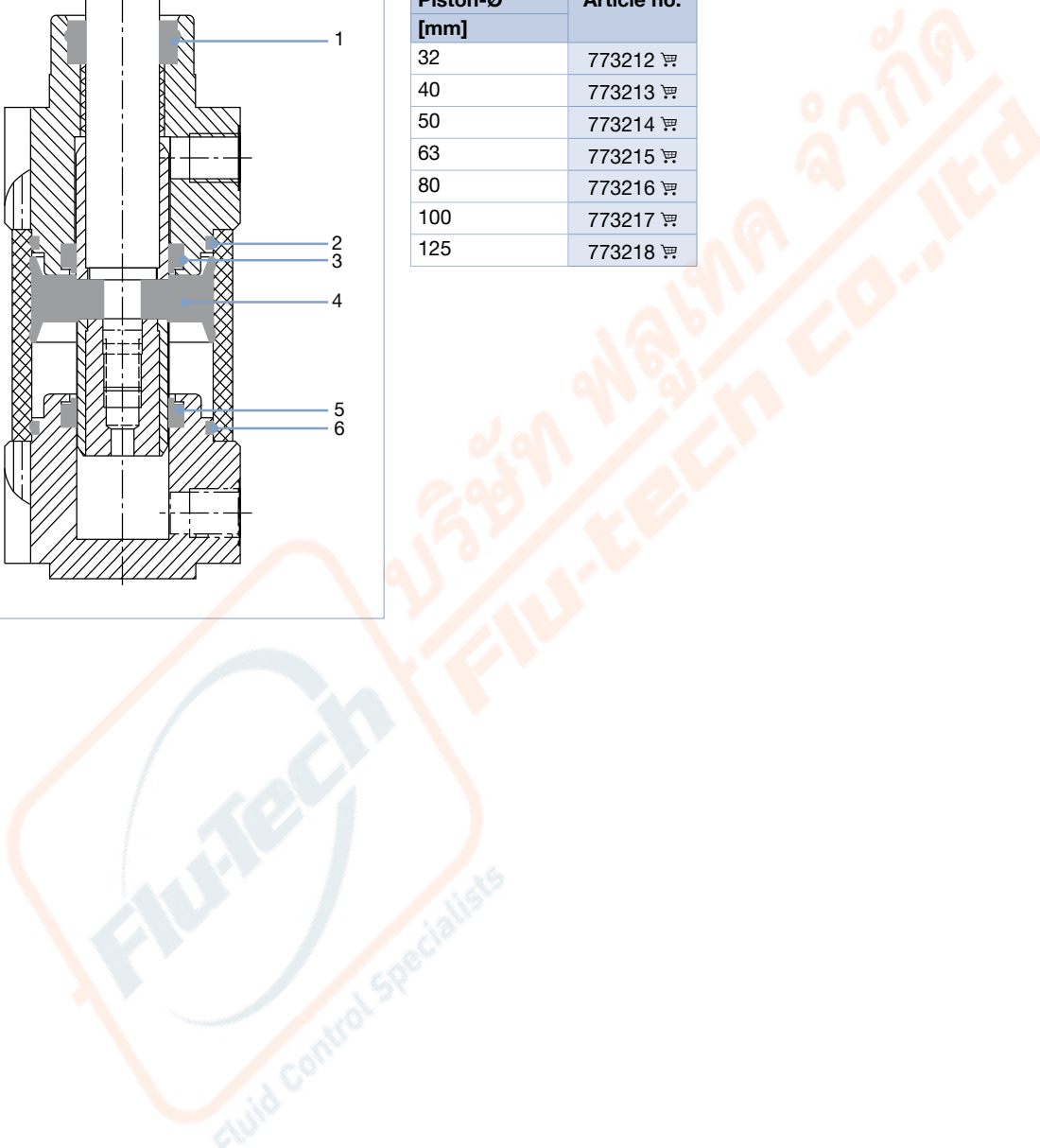
Gasket replacement set for TZU002



No.	Element
1	Wiper-sealing element
2	O-ring
3	Cushion seal
4	Complete piston
5	Cushion seal
6	O-ring

Piston-Ø [mm]	Article no.
32	773212
40	773213
50	773214
63	773215
80	773216
100	773217
125	773218

DTS 100011834 EN Version: D Status: RL (released | freigegeben | validé) printed: 27.08.2019

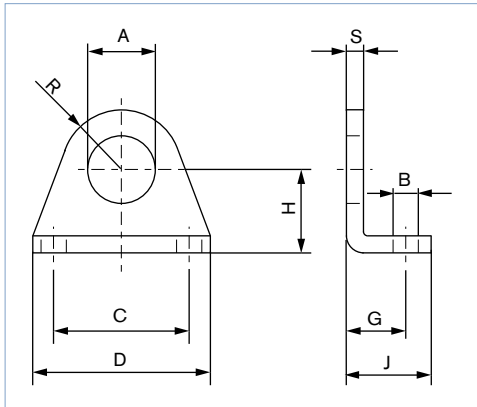


3.4. Ordering chart fastening elements for cylinder Ø 8 to 25 mm for TZG001

Overview fastener elements for cylinder ISO 6432, Ø 8 to 25 mm

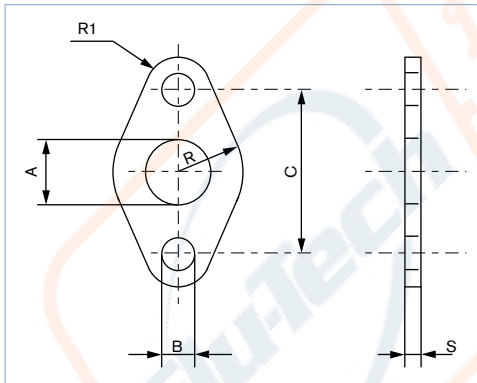
An overview of the fastener elements for cylinder ISO 6432, Ø 8 to 25 mm can be found in chapter “2. Product versions” on page 3.

Foot fastener for TZG001



Piston-Ø	A	B	C	D	G	H	J	R	S	Article no.
[mm]	[mm]	[mm]	[mm]	[mm]	[mm]	[mm]	[mm]	[mm]	[mm]	
8...10	12	4.5	25	35	11	16	16	10	3	780753
12...16	16	5.5	32	40	14	20	20	13.4	4	780754
20...25	22	6.6	40	54	17	25	25	18	5	780755

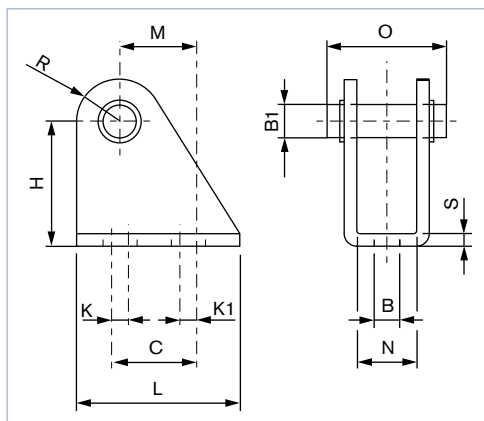
Flange fastener for TZG001



Piston-Ø	A	B	C	R	R1	S	Article no.
[mm]	[mm]	[mm]	[mm]	[mm]	[mm]	[mm]	
8...10	12	4.5	30	15	5	3	780756
12...16	16	5.5	40	15	6	4	780757
20...25	22	6.6	50	20	8	5	780758

DTS 100011834 EN Version: D Status: RL (released | freigegeben | valide) printed: 27.08.2019

Counter hinge block for TZG001

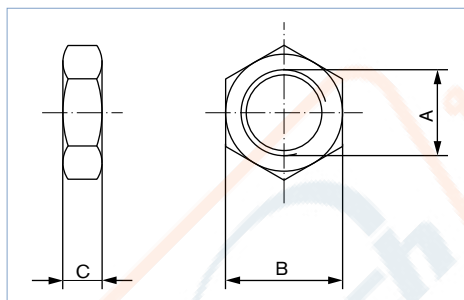


Ø	B	B1	C	K	K1	H	L	M	N	O	R	S	Article no.
[mm]	[mm]	[mm]	[mm]	[mm]	[mm]	[mm]	[mm]	[mm]	[mm]	[mm]	[mm]	[mm]	
8...10	4.5	4	12.5	-	-	24	22	12.5	8.1	18	5	2.5	780759
12...16	5.5	6	20	-	5	25	35	20	12.1	25	7.5	3	780760
20...25	6.6	8	25	5	-	29	40	23	16.1	32	10	4	780761

Fastening and piston arm nuts for TZG001

Note:

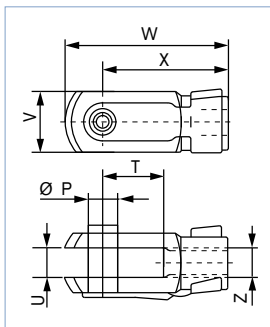
The set consists of 1 fastening nut and one piston arm nut.



Type	Ø	A	B	C	Type	Ø	A	B	Article no.
	[mm]	[mm]	[mm]	[mm]		[mm]	[mm]	[mm]	Set
Fastening nuts	8...10	M12 × 1.25	19	6	Piston arm nuts	8...10	M4	7	780765
	12...16	M16 × 1.5	22	5		12...16	M6	10	780766
	20	M22 × 1.5	27	8		20	M8 × 1.25	13	780768
	25	M22 × 1.5	27	8		25	M10 × 1.25	17	780769

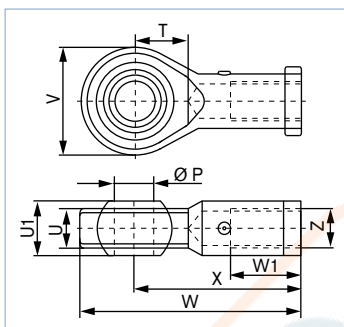
DTS 100011834 EN Version: D Status: RL (released | freigegeben | validé) printed: 27.08.2019

Fork head for TZG001



Piston-Ø [mm]	P [mm]	T [mm]	U [mm]	V [mm]	W [mm]	X [mm]	Z [mm]	Article no.
8...10	4	8	4	8	21	16	M4	780770
12...16	6	12	6	12	31	24	M6	780771
20	8	16	8	16	42	32	M8	780772
25	10	10	10	20	52	40	M10×1.25	780773

Rod eye with spherical bearing for TZG001



Piston-Ø [mm]	P [mm]	T [mm]	U [mm]	U1 [mm]	W [mm]	W1 [mm]	X [mm]	Z	Article no.
8...10	5	10	6.00	8	36	10	27	M4	780774
12...16	6	11	6.75	9	40	12	30	M6	780775
20	8	13	9.00	12	48	16	36	M8	780776
25	10	15	10.5	14	57	20	43	M10	780777

DTS 100011834 EN Version: D Status: RL (released | freigegeben | valide) printed: 27.08.2019