



Servo-assisted 2/2-way diaphragm valve

- Servo-assisted diaphragm valve up to DN50
- Fix-coupled diaphragm opens without differential pressure
- Vibration-proof, block screwed coil system
- Energy-saving power reduction for all DC variants



Product variants described in the data sheet may differ from the product presentation and description.

Can be combined with



Type 2518
Cable Plug
DIN EN 175301-803 -
Form A



Type 1087
Timer

Type description

The 0290 valve is a servo-assisted diaphragm valve of the S.EV series. The valve opens without differential pressure. The opening process is facilitated by the fix coupling of the diaphragm to the magnetic core. The integrated 'soft-kick' function ensures gentle opening. Various diaphragm materials are available depending on the actual application. Stainless steel body variants complete the offering. The solenoid coils are moulded with a chemically resistant epoxy. A 'kick and drop' electronics assembly is moulded into the coil of all DC variants to reduce electrical power consumption. In combination with a plug to DIN EN 175301-803 Form A, the valves satisfy degree of protection IP65 – and NEMA 4X when combined with a stainless steel body.

Table of contents

1. General technical data	3
2. Circuit functions	4
3. Materials	4
3.1. Chemical Resistance Chart – Bürkert resistApp.....	4
3.2. Material specifications.....	4
4. Dimensions	5
4.1. Threaded version.....	5
4.2. Flange version according to DIN EN 1092 - 1.....	5
5. Performance specifications	6
5.1. Power consumption.....	6
Standard version.....	6
Gas valve according to DIN EN 161 (variable code PO17).....	6
6. Ordering information	6
6.1. Bürkert eShop – Easy ordering and quick delivery.....	6
6.2. Bürkert product filter.....	7
6.3. Ordering chart.....	7
Brass body.....	7
Stainless steel body.....	8
Gas valve according to DIN EN 161 (variable code PO17).....	8
6.4. Ordering chart accessories.....	9
Cable plug Type 2518, form A acc. to DIN EN 175301 - 803.....	9
Timer Type 1087, form A acc. to DIN EN 175301 - 803.....	9



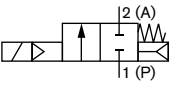
1. General technical data

Product characteristics	
Dimensions	Detailed information can be found in chapter "4. Dimensions" on page 5.
Nominal size	
Standard version	DN12 ... DN50
With approval according to DIN EN 161	DN12 ... DN25
Materials	
Body	Brass, stainless steel 1.4581
Coil	Epoxide
Inner valve parts	Brass, stainless steel
Seal	NBR, FKM, EPDM
Switching function	Detailed information can be found in chapter "2. Circuit functions" on page 4.
Thermal insulation class coil	H
Performance data	
Response times¹⁾	
DN12...DN25	Opening: 100...250 ms Closing: 700...2000 ms
DN32...DN65	Opening: 100...250 ms Closing: 700...2000 ms
DN12...DN25 with approval according to DIN EN 161	Opening: 120...150 ms Closing: 130...250 ms
Pressure data [bar]	Overpressure to the atmospheric pressure
Electrical data	
Voltage	024/50, 024/DC, 024/UC, 110/50, 230/50
Voltage tolerance	± 10 %
Nominal operating mode	Continuous operation 100 % duty cycle (unless otherwise specified on the type plate)
Medium data	
Operating medium	
NBR	Neutral media, compressed air, water, hydraulic oil, oils without additives
FKM	Per solutions, hot oils with additives
EPDM	Oil and grease-free media, e.g. hot water
NBR with approval according to DIN EN 161	Fuel gases of the 1st, 2nd and 3rd gas family
Medium temperature²⁾	
NBR	- 10 °C... +80 °C
FKM	0 °C... + 120 °C
EPDM	-30 °C... + 120 °C
NBR with approval according to DIN EN 161	0 °C... +80 °C
Process/Port connection & communication	
Electrical connection	Cable plug according to DIN EN 175 301 - 803 Form A
Approvals and certificates	
Protection class	IP65 with cable plug
with approval according to DIN EN 161 (optional)	
Environment and installation	
Ambient temperature	
Standard version	Max. +55 °C
With approval according to DIN EN 161	0 °C to +55 °C
Installation position	Any, preferably actuator face up

1.) Measured with water at the valve outlet at 6 bar and + 20 °C. Öffnen: Druckaufbau 0...90 %, Schließen: Druckabbau 100...10 %

2.) Max. medium temperature for variants with high-performance electronics (encryption .../UC) is 90 °C.

2. Circuit functions

Circuit function	Description
	Type: A, Solenoid valve 2/2 way Servo-assisted Normally closed

3. Materials

3.1. Chemical Resistance Chart – Bürkert resistApp

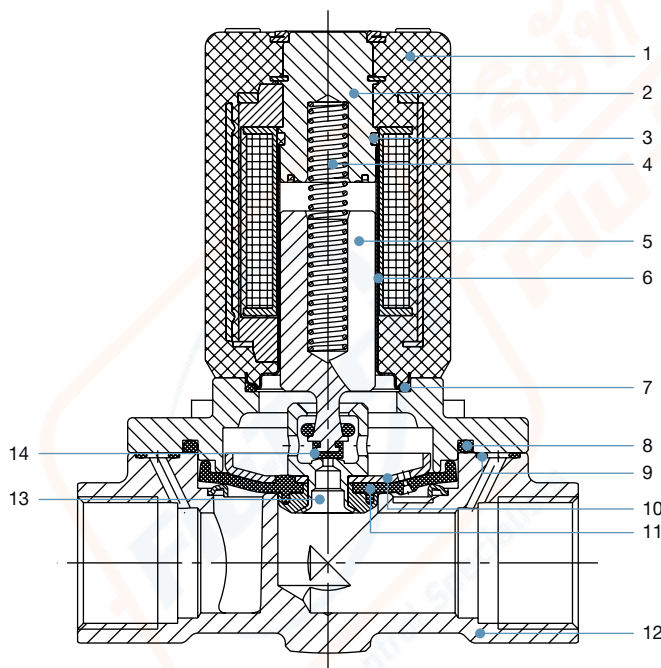


Bürkert resistApp – Chemical Resistance Chart

You want to ensure the reliability and durability of the materials in your individual application case? Verify your combination of media and materials on our website or in our resistApp.

[Start Chemical Resistance Check](#)

3.2. Material specifications



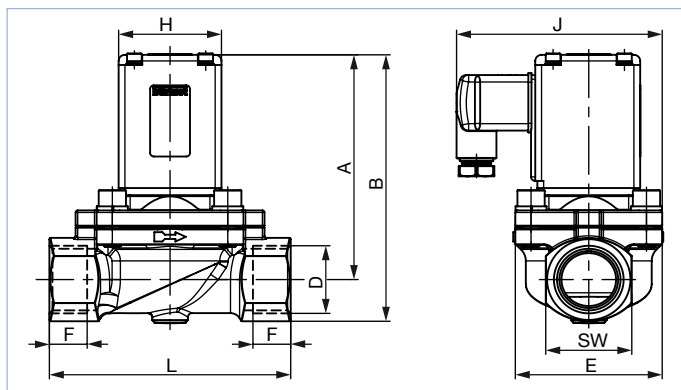
No.	Element	Material
1	Coil	Epoxide
2	Stopper	1.4105, 1.4113 or 1.4523 (optional)
3	Shading ring (AC variant only)	Brass variant: Copper Stainless steel variant: Silver
4	Spring	1.4310
5	Magnetic core	1.4105 or 1.4113
6	Core guide tube	1.4303
7	O-ring	NBR, FKM, EPDM
8	O-ring	NBR, FKM, EPDM
9	O-ring	NBR, FKM, EPDM
10	Diaphragm plate	Brass variant: CuZn37 Stainless steel variant: 1.4401
11	Diaphragm	NBR, FKM, EPDM
12	Body	Brass or stainless steel 1.4581
13	Pilot valve seat	Brass variant: MS Stainless steel variant: 1.4401
14	Seat seal	NBR, FKM, EPDM

4. Dimensions

4.1. Threaded version

Note:

- Dimensions in mm
- The dimensions D1 and F1 apply to G-threads
- The dimensions D2 and F2 apply to NPT-threads

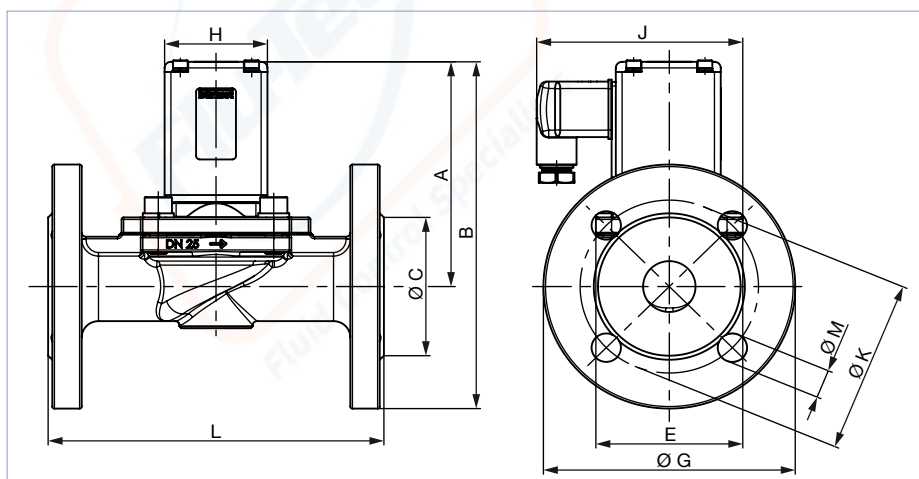


DN	A	B	G		NPT		E	L	SW	J	H
			D1	F1	D2	F2					
12	80	94	G ½	14	NPT ½	13,7	40	74,5	27	81	40
20	106	122	G ¾	16	NPT ¾	14	60	100	32	93	49
25	110,5	131	G 1	18	NPT 1	16,8	70	115	41	98	49
32	120	145	G 1¼	20	NPT 1¼	17,3	85	126	50	106	49
40	124	154	G 1½	22	NPT 1½	17,3	85	126	60	106	49
50	176	211	G 2	24	NPT 2	17,6	115	164	70	133	72
65	176	218,5	G 2½	27	NPT 2½	23,6	115	179	85	133	72

4.2. Flange version according to DIN EN 1092-1

Note:

- Flange versions on request
- Angaben in mm



DTS 1000024859 EN Version: U Status: RL (released | freigegeben | valide) printed: 15.12.2021

DN	A	B	C	E	Ø G	L	M	K	J	H
25	110,5	170,5	68	70	120	160	14	85	98	49
32	120	190	78	85	140	180	18	100	106	49
40	126	201	88	85	150	200	18	110	106	49
50	176	258,5	102	115	165	230	18	125	133	72

5. Performance specifications

5.1. Power consumption

Standard version

Nominal size [mm]	K _v value water P→A [m ³ /h]	Port connection A/B and P	Electrical power consumption				Weight [kg]
			Inrush		Operation		
			AC [VA]	UC [W]	AC [VA/W]	UC [W]	
12	1.8	G ½	100	80	25/10	6	1.0
20	6.5	G ¾	120	100	32/16	9	1.4
25	10.0	G 1	120	100	32/16	9	1.8
32	16.0	G 1¼	120	100	32/16	9	2.7
40	16.0	G 1½	120	100	32/16	9	3.1
50	38.0	G 2	–	30	–	30	6.5

Gas valve according to DIN EN 161 (variable code PO17)

Nominal size [mm]	K _v value water P→A [m ³ /h]	Port connection A/B and P	Electrical power consumption				Weight [kg]
			Inrush		Operation		
			AC [VA]	UC [W]	AC [VA/W]	UC [W]	
12	1.8	G ½	100 to 120	80	25/10	6	1.0
20	6.5	G ¾		100	32/16	9	1.4
25	10.0	G 1		100	32/16	9	1.8

6. Ordering information

6.1. Bürkert eShop – Easy ordering and quick delivery



Bürkert eShop – Easy ordering and fast delivery

You want to find your desired Bürkert product or spare part quickly and order directly? Our online shop is available for you 24/7. Sign up and enjoy all the benefits.

[Order online now](#)

6.2. Bürkert product filter



Bürkert product filter – Get quickly to the right product

You want to select products comfortably based on your technical requirements? Use the Bürkert product filter and find suitable articles for your application quickly and easily.

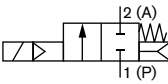
[Try out our product filter](#)

6.3. Ordering chart

Brass body

Note:

All valves with cable plug.

Circuit function	Port connection	Orifice	K _v value water [m ³ /h]	Pressure range [bar]	Weight [kg]	Article no. per voltage/frequency [V/Hz]			
						024/50	024/UC/DC ^{1.)}	230/50	110/50
A, Solenoid valve 2/2 way Servo-assisted Normally closed 	NBR diaphragm								
	G ½	12	1.8	0...16	0.7	043816 ☒	050294 ☒	044373 ☒	049500 ☒
	G ¾	20	6.5	0...16	1.4	058766 ☒	049518 ☒	045292 ☒	057127 ☒
	G 1	25	10.0	0...16	1.8	048171 ☒	053675 ☒	045293 ☒	053869 ☒
	G 1¼	32	16.0	0...12	2.6	085290 ☒	085291 ☒	052513 ☒	085292 ☒
	G 1½	40	16.0	0...12	3.0	085294 ☒	085295 ☒	085297 ☒	085296 ☒
	G 2	50	38.0	0...12	6.7	–	085299 ☒ ^{3.)}	085301 ☒ ^{2.)}	085300 ☒ ^{2.)}
	FKM diaphragm								
	G ½	12	1.8	0...16	0.7	048707 ☒	049229 ☒	042886 ☒	059240 ☒
	G ¾	20	6.5	0...16	1.4	053910 ☒	053674 ☒	049745 ☒	067973 ☒
	G 1	25	10.0	0...16	1.8	066270 ☒	066981 ☒	058627 ☒	067974 ☒
	G 1¼	32	16.0	0...12	2.6	120631 ☒	017457 ☒	087203 ☒	137478 ☒
	G 1½	40	16.0	0...12	3.0	228118 ☒	089619 ☒	087663 ☒	–
	G 2	50,0	38.0	0...12	6.7	–	120952 ☒ ^{3.)}	088551 ☒ ^{2.)}	–
	EPDM diaphragm								
	G ½	12	1.8	0...16	0.7	045931 ☒	049050 ☒	044816 ☒	049055 ☒
	G ¾	20	6.5	0...16	1.4	065033 ☒	058427 ☒	045290 ☒	069138 ☒
	G 1	25	10.0	0...16	1.8	054245 ☒	057155 ☒	045291 ☒	064887 ☒
	G 1¼	32	16.0	0...12	2.6	087204 ☒	072962 ☒	085259 ☒	076763 ☒
	G 1½	40	16.0	0...12	3.0	073290 ☒	079629 ☒	087732 ☒	–
	G 2	50	38.0	0...12	6.7	–	120104 ☒ ^{3.)}	077494 ☒ ^{2.)}	121308 ☒ ^{2.)}

1.) The coil for UC (universal current) has internal high-performance electronics. Please check that adequate performance is available (see "5. Performance specifications" on page 6).

2.) The valve is supplied with a cable plug with integrated rectifier.

3.) DC only

Visit product website ►

7 | 10



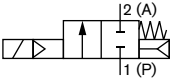
บริษัท ฟลูเทค จำกัด
FLU - TECH CO., TD

845/3-4 หมู่ 3 ถ.เทพารักษ์ ต.เทพารักษ์ อ.เมือง จ.สมุทรปราการ 102070
845/3-4 Thepaharak RD., T. Thepharak, A. Muang, Samutprakan 10270 THAILAND
Tel. 0 2384 6060, Fax 0 2384 5701, Email : sales@flutech.co.th, www.flutech.co.th

Stainless steel body

Note:

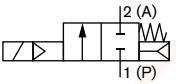
All valves with cable plug.

Circuit function	Port connection	Orifice	K _v value water [m ³ /h]	Pressure range [bar]	Weight [kg]	Article no. per voltage/frequency [V/Hz]			
						024/50	024/UC/DC ¹⁾	230/50	110/50
A, Solenoid valve 2/2 way Servo-assisted Normally closed 	NBR diaphragm								
	G 1/2	12	1.8	0...16	0.7	043659 ☒	053595 ☒	043654 ☒	052358 ☒
	G 3/4	20	6.5	0...16	1.3	068338 ☒	018754 ☒	065121 ☒	-
	G 1	25	10.0	0...16	1.7	068510 ☒	061974 ☒	065414 ☒	067696 ☒
	FKM diaphragm								
	G 1/2	12	1.8	0...16	0.7	048708 ☒	049987 ☒	042888 ☒	058407 ☒
	G 3/4	20	6.5	0...16	1.3	065362 ☒	066381 ☒	064701 ☒	066594 ☒
	G 1	25	10.0	0...16	1.7	018121 ☒	065542 ☒	066125 ☒	069477 ☒
	EPDM diaphragm								
	G 1/2	12	1.8	0...16	0.7	045765 ☒	048606 ☒	043553 ☒	049053 ☒
	G 3/4	20	6.5	0...16	1.3	066460 ☒	059910 ☒	065025 ☒	025870 ☒
	G 1	25	10.0	0...16	1.7	059890 ☒	018348 ☒	059901 ☒	054044 ☒




Gas valve according to DIN EN 161 (variable code PO17)

Note:

All valves with cable plug.

Circuit function	Port connection	Orifice	K _v value water [m ³ /h]	Pressure range [bar]	Weight [kg]	Article no. per voltage/frequency [V/Hz]			
						024/UC	230/50	230/UC	
A, Solenoid valve 2/2 way Servo-assisted Normally closed 	NBR diaphragm								
	G 1/2	12	1.8	0...5	0.7	280855 ☒	266512 ☒	281001 ☒	
	G 3/4	20	6.5		1.4	280877 ☒	266513 ☒	280878 ☒	
	G 1	25	10.0		1.8	280879 ☒	266515 ☒	280880 ☒	

Other versions on request


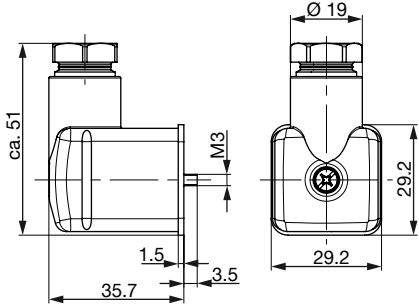



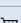
 Approval UL, UR, CSA	 Voltage Further voltages on request
 Process connection Flange connection according to DIN EN 1092 - 1 (DN25 ... DN50)	

6.4. Ordering chart accessories

Cable plug Type 2518, form A acc. to DIN EN 175301 - 803

Note:


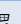
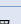
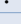
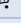

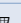

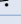
 For other versions see data sheet [Type 2518](#) ▶.

Cable plug	Dimensions	Version	Voltage	Article no.
		Without circuitry (AC/DC)	0...250 V AC/DC	314802 
		With LED (AC/DC)	12...24 V AC/DC	314812 
		With LED and varistor (AC/DC)	12...24 V AC/DC	314820 
		With rectifier, LED and varistor	12...24 V AC/DC	314816 

Timer Type 1087, form A acc. to DIN EN 175301 - 803

Note:

 For more information on the timer, see data sheet [Type 1087](#) ▶.

Timer	Approval	Product code	Voltage range	Article no.
	-	1087-A-BCH-UC-28	10...30 V AC/DC	348828 
	-	1087-A-BDK-UC-28	24...240 V AC/DC	348829 
	cURus	1087-A-BCH-UC-28*PU01	10...30 V AC/DC	348906 
	cURus	1087-A-BDK-UC-28*PU01	24...240 V AC/DC	348907 
	-	1087-A-BFW-UC-29	10...48 V AC/DC	348830 
	-	1087-A-BDX-UC-29	110...240 V AC/DC	348831 
	cURus	1087-A-BFW-UC-29*PU01	10...48 V AC/DC	348908 
	cURus	1087-A-BDX-UC-29*PU01	110...240 V AC/DC	348909 