



## Direct-acting 2/2 way plunger valve

- Gas valve with DVGW approval in accordance with EN 161, size A
- Compact design, up to DN 12/500 mbar
- Body in brass
- Dirt filter in the inlet

Product variants described in the data sheet may differ from the product presentation and description.

### Type description

The direct acting plunger solenoid valve Type 0285 is normally closed by spring force. During switching the core of the seal is tightened against the spring force, and opens the valve. The inlet has a gauze filter fitted. The valve is delivered as standard with a bracket fitting. Type 0285 is best suited to flammable gases.

## Table of contents

<b>1. General Technical Data</b>	<b>3</b>
<b>2. Circuit functions</b>	<b>3</b>
<b>3. Dimensions</b>	<b>4</b>
<b>4. Performance specifications</b>	<b>4</b>
4.1. Power consumption.....	4
<b>5. Ordering information</b>	<b>5</b>
5.1. Bürkert eShop – Easy ordering and quick delivery.....	5
5.2. Bürkert product filter.....	5
5.3. Ordering chart.....	5



## 1. General Technical Data

Product properties	
Dimensions	Detailed information can be found in chapter "3. Dimensions" on page 4.
<b>Material</b>	
Seal	NBR, FKM
Body	Brass
Internal parts of valve	Stainless steel 1.4105, 1.4571
Nominal diameter	DN 6...DN 12
Switching function	Detailed information can be found in chapter "2. Circuit functions" on page 3.
Special feature	Gauze filter in inlet
<b>Performance data</b>	
Duty cycle	100 % continuous operation
Switching frequency	ca. 1000/min
<b>Electrical data</b>	
Operating voltage	24 V DC, 220...230 V/50 Hz, 220...230/UC
Power consumption	Detailed information can be found in chapter "4.1. Power consumption" on page 4.
Voltage tolerance	± 10 %
<b>Medium data</b>	
<b>Medium temperature</b>	
NBR	0 °C...+ 80 °C
FKM	0 °C...+ 80 °C
<b>Operating medium</b>	
NBR	Flammable mediums like energy gas, natural gas, liquid gas, acetylene, hydrogen
FKM	As NBR, however with more volatile substances, e.g. solvents, hydrosulphide etc.
<b>Process/Port connection &amp; communication</b>	
Medium connectors	Internal thread Rp¼ and Rp½ according to DIN EN 10226 - 1
Electrical connection	Cable plug for cable Ø 7 mm (included in delivery)
<b>Approvals and certificates</b>	
Degree of protection	IP65 with cable plug
DVGW-Approval	Group 2, Class A
Test regulations	DIN EN 161
<b>Environment and installation</b>	
Installation position	As required, preferably with actuator upright
Installation instructions	With retaining bracket
Ambient temperature	0 °C...+ 60 °C

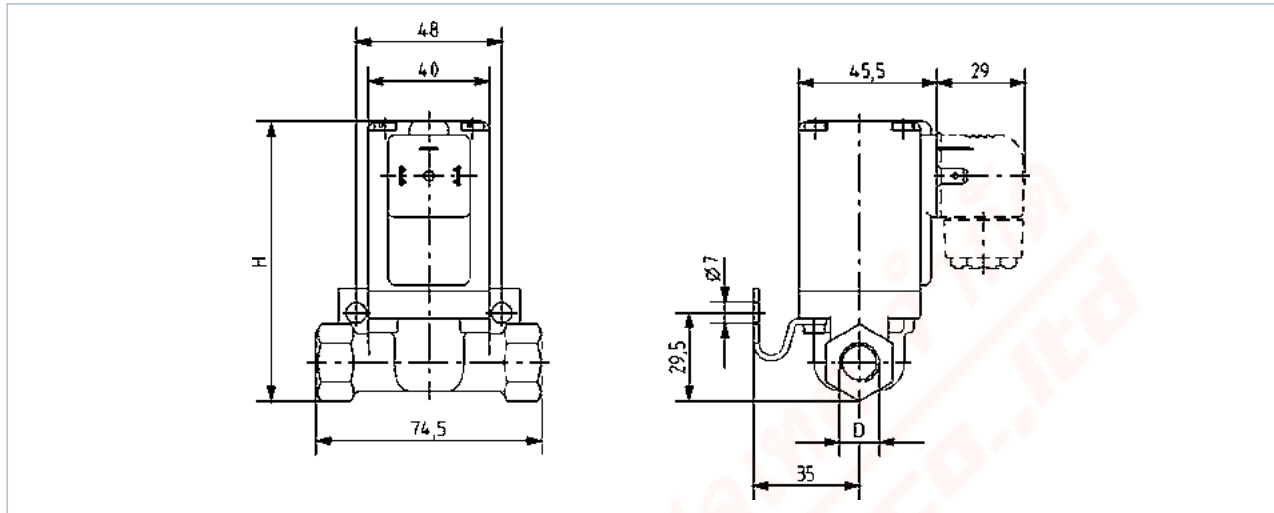
## 2. Circuit functions

Circuit functions	Description
	<b>Type: A, solenoid valve</b> 2/2 way Direct-acting Normally closed

### 3. Dimensions

#### Note:

- Valve with fitting bracket
- Dimensions in mm



Port connection	H
Rp ¼	93
Rp ½	95.5

### 4. Performance specifications

#### 4.1. Power consumption

Orifice [mm]	Port connection acc. to DIN EN 10226-1	K <sub>v</sub> value water <sup>1.)</sup> [m <sup>3</sup> /h]	Pressure range <sup>2.)</sup>		Response times <sup>3.)</sup>		Power consumption			Weight [kg]
			AC [bar]	DC/UC [bar]	Opening [ms]	Closing [ms]	Inrush AC [VA]	Hold AC [VA/W]	DC [W]	
6	Rp ¼, Rp ½	0.7	3.5	3.5	10...20	20...30	30...75	16/10	12	0.7
12	Rp ½	1.8	–	0.2						0.7
12	Rp ½	1.8	0.5	–						0.7


1.) Measured at +20 °C, 1 bar<sup>2.)</sup> pressure at valve inlet and free outlet

2.) Overpressure to atmospheric pressure

3.) Response times: measured with water at valve outlet at 6 bar and +20 °C. Opening: pressure build-up 0...90 %, closing: pressure decay 100...10 %

## 5. Ordering information

### 5.1. Bürkert eShop – Easy ordering and quick delivery




**Bürkert eShop – Easy ordering and fast delivery**

You want to find your desired Bürkert product or spare part quickly and order directly? Our online shop is available for you 24/7. Sign up and enjoy all the benefits.

[Order online now](#)

### 5.2. Bürkert product filter



**Bürkert product filter – Get quickly to the right product**

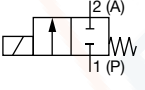
You want to select products comfortably based on your technical requirements? Use the Bürkert product filter and find suitable articles for your application quickly and easily.

[Try out our product filter](#)

### 5.3. Ordering chart

**Note:**

- All valves with brass body and with cable plugs
- Fitting bracket included in delivery unless otherwise stated
- All UC (AC/DC) with integrated rectifier

Circuit function	Orifice	Port connection DIN EN 10226 - 1	K <sub>v</sub> value water [m <sup>3</sup> /h]	Air flow rate at P <sub>max</sub> [l/min]	Pressure range [bar]	Remark	Seal material	Voltage/ Frequency	Article no.					
	[mm]							[V/Hz]						
<b>A, solenoid valve</b> 2/2 way Direct-acting Normally closed  	6.0	Rp ¼	0.7	41	0...3.5	–	NBR	230/50	041910					
					0...3.5	–		24/DC	047782					
					0...3.5	–		230/50	057044					
					0...3.5	without fitting bracket		230/50	072896					
					0...3.5	–		230/UC	043765					
					0...3.5	low-noise		230/UC	088689					
					0...3.5	–		FKM	230/50	055012				
					0...2.0	–		230/UC	047750					
					12.0	Rp ½		1.8	33	0...0.2	–	NBR	24/DC	023552
										0...0.5	–		230/50	043582
	0...0.5	without fitting bracket	230/50	043757										
	0...0.2	–	230/UC	020807										
	0...0.2	low-noise	230/UC	021510										
	0...0.5	–	FKM	230/50	067200									
0...0.2	low-noise	230/UC	057691											