

# Electronically Controlled SERV-OIL Multiple-Point Lubricators

## Series 7A0



Model Shown: 7A001204B-2110

The electronically controlled multiple-point lubricator has a 3-way solenoid-controlled valve to produce the actuating signals for the Servo-Meters (up to four may be used.). This allows lubrication control to be interfaced with other system electronics, so that the frequency of oil injection is under precise control.

**Servo-Meters.** Up to four can be included in the assembly with ratings of 1/2, 1, or 2 drops. Each Servo-Meter output is adjustable down to just 10 percent of its rating. Because of their modular construction Servo-Meters can be easily added or removed from the assembly.

**Pneumatic Valve.** A solenoid-actuated, 3-way valve provides the air pressure to actuate the Servo-Meters. Inlet pressure must be at least 60 psig (4 bar). Available solenoid voltage options are 24-, 110-, or 220-volts AC and 12-, 24-, or 110-volts DC.

**Oil Supply.** Oil can be supplied from a central reservoir, or an optional integral reservoir. Integral reservoirs are available in 10-ounce (part **M476R**), one-quart (part **M570-6R**), or two-quart (**M570-12R**) capacities.

**Air Filter.** A general-purpose Sentry filter can be included in the assembly, but is not required if external air filtration is adequate, i.e., has at least 40- $\mu$ m filtration.

### SPECIFICATIONS

**Ambient/Media Temperature:**

40° to 125°F (4° to 52°C).

**Operating Pressure:** 60-150 psig (4.1-10.3 bar).

**Pneumatic Valve:** Solenoid actuated 3-way. Electrical: 24-, 120-, 220-volts 50/60 Hz; 12-, 24-, 110-volts DC.

**Servo-Meter:** Brass body; optional Aluminum and Nickel plated housings; acetal end caps. 1-Drop rating; optional 1/2-drop or 2-drop rating. Minimum operating air pressure: 60 psig (4 bar). Transparent sight indicator gives visual verification of oil delivery.

**Oil Viscosity Range:** 31-1000 @ 100°F (37.8°C)

### IMPORTANT SERIES 7A0 BENEFITS

Modular design provides Servo-Meters, solenoid valve, and air filter in a complete package with easy add-on capability.

There is no need to purchase additional valves or other components. Simply pipe up an air supply and plug in the **MPL** package.

You have full control by coordinating with your own computer programming. This eliminates costly feast-or-famine lubrication.



บริษัท ฟลูเทค จำกัด  
FLU-TECH CO.,LTD

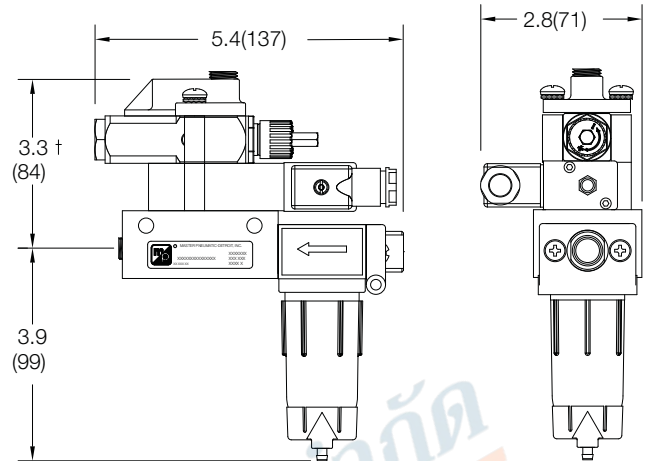
845/3-4 หมู่ 3 ถ.เทพารักษ์ ต.เทพารักษ์ อ.เมือง จ.สมุทรปราการ 10270  
845/3-4 Thepharak RD., T.Thepharak, A.Muang, Samutprakarn 10270 THAILAND  
Tel. 0 2384 6060, Fax 0 2384 5701, Email : sales@flutech.co.th, www.flutech.co.th

## EASY ORDERING FOR SERIES 7A0

Model Number	Servo-Meters	Inlet Port
7A00#054B-11XY	1/2 drop	1/8 NPTF
7A00#054B-21XY	1/2 drop	1/4 NPTF
7A00#104B-11XY	1 drop	1/8 NPTF
7A00#104B-21XY	1 drop	1/4 NPTF
7A00#204B-11XY	2 drops	1/8 NPTF
7A00#204B-21XY	2 drops	1/4 NPTF

# – Insert quantity of Servo-Meters (1 to 4).  
 X – Insert voltage number (see Ordering Information below).  
 Y – Insert filter number (see Ordering Information below).

## DIMENSIONS inches (mm)



† ADD 0.9 (23)FOR EACH ADDITIONAL SERVO-METER

## ORDERING INFORMATION

Change the letters in the sample model number below to specify the **MPL** you want.

**7A0 01 05 4 B - 1 1 1 0 W**

### MPL SERIES

**NUMBER OF SERVO-METERS**  
 Specify by numerals  
 from 01 to 04

### SERVO-METER RATING

Half drop ..... 05  
 One drop ..... 10  
 Two drops ..... 20

### SERVO-METER HOUSING MATERIAL

Brass housing ..... B  
 Aluminum housing ..... A  
 Nickel plated brass housing, ..... N  
 clamp and mounting plate.

### INLET PORT SIZE

1/8 NPTF ..... 1  
 1/4 NPTF ..... 2

**DIN 4360 Form B Option** ..... 1

### PORT TYPE

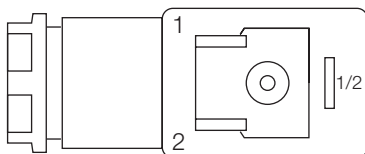
NPTF threads ..... Leave Blank  
 BSPF threads ..... W

### FILTER

Standard Sentry filter ..... 0  
 No filter; female side port ..... 1

### VOLTAGE

120 volts, 50/60 Hz ..... 1  
 24 volts, DC ..... 2  
 24 volts, 50/60 Hz ..... 3  
 220 volts, 50/60 Hz ..... 4  
 12 volts, DC ..... 5  
 110 volts, DC ..... 6



Normal Polarity:  
 1 = (+) positive, high  
 2 = (-) negative, neutral  
 1/2 = chassis ground

**NOTE:** Optional automotive standard to mini plug is available. Consult Master Pneumatic.



**บริษัท ฟลูเทค จำกัด**  
**FLU-TECH CO.,LTD**

845/3-4 หมู่ 3 ถ.เทพารักษ์ ต.เทพารักษ์ อ.เมือง จ.สมุทรปราการ 10270  
 845/3-4 Thepharak RD., T.Thepharak, A.Muang, Samutprakarn 10270 THAILAND  
 Tel. 0 2384 6060, Fax 0 2384 5701, Email : sales@flutech.co.th, www.flutech.co.th