

WWW.FLUTECH.CO.TH



ADD FRIEND  
@flutech.co.th



บริษัท ฟลูเทค จำกัด  
**Flu-tech co.,ltd**

Authorized Distributor

Pressure Switch



# SQ24 SPST TYPE



TYPE	SQ245 Series			SQ246 Series			SQ24U Series		
<b>Hex length</b>	24mm			24mm			24mm		
<b>Body material</b>	Zinc-Plated Steel ROHS			SUS316			Brass		
<b>Wiring</b>	Screw	Push-on	Spade Terminal	Screw	Push-on	Spade Terminal	Screw	Push-on	Spade Terminal
<b>Contact rating (Max.)</b>	4A/ 50Vdc, 4A/ 250Vac			4A/ 50Vdc, 4A/ 250Vac			4A/ 50Vdc, 4A/ 250Vac		
<b>Response frequency</b>	2Hz			2Hz			2Hz		
<b>Max. Voltage peak</b>	1.5KV (IEC60947-2)			1.5KV (IEC60947-2)			1.5KV (IEC60947-2)		
<b>Electric insulation</b>	100MΩ(IEC60092-54 section3)			100MΩ(IEC60092-54 section3)			100MΩ(IEC60092-54 section3)		
<b>Membrane materials/ Operation temperature</b>	NBR(Standard)	-10~100°C		NBR(Standard)	-10~100°C		NBR(Standard)	-10~100°C	
	VITON	-10~100°C		VITON	-10~100°C		VITON	-10~100°C	
	EPDM	-10~100°C		EPDM	-10~100°C		EPDM	-10~100°C	
	NBR(Low Temp.)	-30~100°C		NBR(Low Temp.)	-30~100°C		NBR(Low Temp.)	-30~100°C	
	VITON(Low Temp.)	-30~100°C		VITON(Low Temp.)	-30~100°C		VITON(Low Temp.)	-30~100°C	
	EPDM(Low Temp.)	-30~100°C		EPDM(Low Temp.)	-30~100°C		EPDM(Low Temp.)	-30~100°C	
<b>Pressure range</b>	0.2~99bar (≤20bar with UL certification)			0.2~99bar (≤20bar with UL certification)			0.2~99bar (≤20bar with UL certification)		
<b>Piping selection</b>	M10*1 (taper) M10*1, M12*1.5 PT1/8", PT1/4" G1/8", G1/4" NPT 1/8", NPT 1/4"			M10*1 (taper) M10*1, M12*1.5 PT1/8", PT1/4" G1/8", G1/4" NPT 1/8", NPT 1/4"			M10*1 (taper) M10*1, M12*1.5 PT1/8", PT1/4" G1/8", G1/4" NPT 1/8", NPT 1/4"		
<b>Contact model</b>	NO, NC			NO, NC			NO, NC		
<b>Protection</b>	IP67 ( IEC 60529)			IP67 ( IEC 60529)			IP67 ( IEC 60529)		
<b>Mechanical life</b>	1.5X10 <sup>6</sup> cycles (in 50 bar)			1.5X10 <sup>6</sup> cycles (in 50 bar)			1.5X10 <sup>6</sup> cycles (in 50 bar)		
<b>Screw torque</b>	<0.35Nm			<0.35Nm			<0.35Nm		
<b>Shock resistance</b>	ISO / IEC 17025, Half Sine Wave, Acceleration: 30G@14ms, ±X, ±Y, ±Z axis			ISO / IEC 17025, Half Sine Wave, Acceleration: 30G@14ms, ±X, ±Y, ±Z axis			ISO / IEC 17025, Half Sine Wave, Acceleration: 30G@14ms, ±X, ±Y, ±Z axis		
<b>Vibration resistance</b>	ISO / IEC 17025, Sine Wave, 5-200 Hz, Acceleration: 10G, Displacement: 16 mm, Sweeping Rate: 1 Oct/ min, Test Direction: X, Y, Z axis, Test Time: 1hr for each			ISO / IEC 17025, Sine Wave, 5-200 Hz, Acceleration: 10G, Displacement: 16 mm, Sweeping Rate: 1 Oct/ min, Test Direction: X, Y, Z axis, Test Time: 1hr for each			ISO / IEC 17025, Sine Wave, 5-200 Hz, Acceleration: 10G, Displacement: 16 mm, Sweeping Rate: 1 Oct/ min, Test Direction: X, Y, Z axis, Test Time: 1hr for each		

## Feature

- Robust In Any Severe Application
- Customized Body Housing  
(steel, Sus316, Brass)
- Selectable Contact  
(Gold Contact or Silver Contact)
- Screw / Push-on Terminal Contact Selectable
- High Quality And Cost Effective
- Adjustable Pressure Range Setting

## Application

- Pressure Detection For Automobile Braking System
- Pressure Control For Piping System
- Hydraulic Detection For Fire Fighting System
- Hydraulic Industry
- Lubrication System
- Sprinkler System
- Air Compressor
- Medical Equipment
- Tire Manufacturing

# PRODUCT DIMENSION/ PRESSURE RANGE TOLERANCE

**Product Dimension**

**SQ245/ 246/ 24U Series**  
**Screw:**

HEX 24  
\*A  
37

**Push-on:**

HEX 24  
\*A  
51

**Spade:**

HEX 24  
\*A  
46

**\*A** 9mm: M10\*1 taper, M10, G1/8", PT1/8", NPT 1/8" 12mm: M12\*1.5, G1/4", PT1/4", NPT 1/4" (Unit: mm)

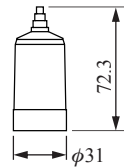
## SQ24 Series Field Adjustable/ Fixed Pressure

※ ≤20bar with UL certification

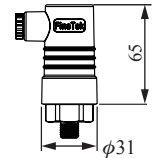
Pressure range	Tolerance	Connection
0.2~0.9bar	±0.1bar	M10X1 (taper)
		M10X1
		M12X1.5
		1/8"PT
		1/4"PT
		1/8"G
		1/4"G
		1/8"NPT
1~9.9bar	±0.5bar	M10X1 (taper)
		M10X1
		M12X1.5
		1/8"PT
		1/4"PT
10~19bar	±5%	1/8"G
		1/4"G
		1/8"NPT
		1/4"NPT
20~49bar	±5%	M10X1 (taper)
		M10X1
		M12X1.5
		1/8"PT
		1/4"PT
		1/8"G
		1/4"G
		1/8"NPT
50~99bar	±5%	1/4"NPT
		M10X1 (taper)
		M10X1
		M12X1.5
		1/8"PT
		1/4"PT
		1/8"G
		1/4"G
1/8"NPT		
1/4"NPT		

### Option:

Body Protect Cover: SQXAM1P-07D0000001  
Material: NBR  
Protection Grade: IP67



Body Protect Cover: SQXCM1P-PGA0000001  
Material: Nylon  
Protection Grade: IP67  
★ Only SQ24 Push-on Type to use.



To comply with CE, SQ24 series need to add anti-dust cover.

# SQ24 HIGH PRESSURE SPST TYPE



TYPE	SQ245 Series	SQ246 Series
<b>Hex Length</b>	24mm	24mm
<b>Body Material</b>	Zinc-Plated Steel ROHS	SUS316
<b>Wiring</b>	Screw   Push-on   Spade Terminal	Screw   Push-on   Spade Terminal
<b>Contact rating (Max.)</b>	4A/ 50Vdc, 4A/ 250Vac	4A/ 50Vdc, 4A/ 250Vac
<b>Response Frequency</b>	2Hz	2Hz
<b>Max. Voltage Peak</b>	1.5KV (IEC60947-2)	1.5KV (IEC60947-2)
<b>Electric Insulation</b>	100MΩ(IEC60092-54 section3)	100MΩ(IEC60092-54 section3)
<b>Operation Temperature</b>	-10°C ~100°C (IEC 60068-2-2)	-10°C ~100°C (IEC 60068-2-2)
<b>Pressure Range</b>	100~300bar	100~300bar
<b>Pressure Acting Variation</b>	± 5% full set point range @20°C	± 5% full set point range @20°C
<b>Piping Selection</b>	M10*1 (taper) M10*1, M12*1.5 PT1/8", PT1/4" G1/8", G1/4" NPT 1/8", NPT 1/4"	M10*1 (taper) M10*1, M12*1.5 PT1/8", PT1/4" G1/8", G1/4" NPT 1/8", NPT 1/4"
<b>Contact Model</b>	NO, NC	NO, NC
<b>Body Protection</b>	IP00 ( IEC 60529)	IP00 ( IEC 60529)
<b>Protection</b>	IP67 ( IEC 60529)	IP67 ( IEC 60529)
<b>Mechanical Life</b>	1.5X10 <sup>6</sup> cycles (in 50 bar)	1.5X10 <sup>6</sup> cycles (in 50 bar)
<b>Screw Torque</b>	<0.35Nm	<0.35Nm
<b>Shock Resistance</b>	ISO / IEC 17025, Half Sine Wave, Acceleration: 30G@14ms, ±X, ±Y, ±Z axis	ISO / IEC 17025, Half Sine Wave, Acceleration: 30G@14ms, ±X, ±Y, ±Z axis
<b>Vibration Resistance</b>	ISO / IEC 17025, Sine Wave, 5-200 Hz, Acceleration: 10G, Displacement: 16 mm, Sweeping Rate: 1 Oct/ min, Test Direction: X, Y, Z axis, Test Time: 1hr for each	ISO / IEC 17025, Sine Wave, 5-200 Hz, Acceleration: 10G, Displacement: 16 mm, Sweeping Rate: 1 Oct/ min, Test Direction: X, Y, Z axis, Test Time: 1hr for each

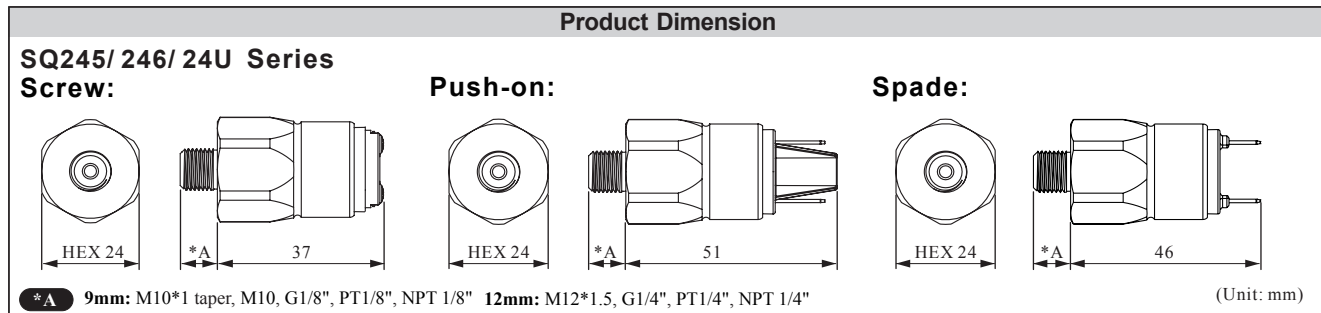
## Feature

- Robust In Any Severe Application
- Customized Body Housing (steel, Sus316, Brass)
- Selectable Contact (Gold Contact or Silver Contact)
- Screw / Push-on Terminal Contact Selectable
- High Quality And Cost Effective
- Adjustable Pressure Range Setting

## Application

- Pressure Detection For Automobile Braking System
- Pressure Control For Piping System
- Hydraulic Detection For Fire Fighting System
- Hydraulic Industry
- Lubrication System
- Sprinkler System
- Air Compressor
- Medical Equipment
- Tire Manufacturing

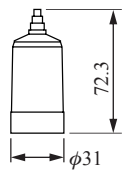
# PRODUCT DIMENSION/ PRESSURE RANGE TOLERANCE



## SQ24 Series Field Adjustable/ Fixed Pressure

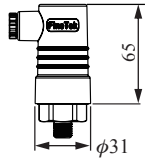
Pressure range	Tolerance	Connection
100~300bar	± 5%	M10X1 (taper)
		M10X1
		M12X1.5
		1/8"PT
		1/4"PT
		1/8"G
		1/4"G
		1/8"NPT
1/4"NPT		

**Option:**  
 Body Protect Cover: SQXAM1P-07D0000001  
 Material: NBR  
 Protection Grade: IP67



.....

Body Protect Cover: SQXCM1P-PGA0000001  
 Material: Nylon  
 Protection Grade: IP67  
 ★ Only SQ24 Push-on Type to use.



To comply with CE, SQ24 series need to add anti-dust cover.



# SQ24 WITH EXTENSION SOCKET

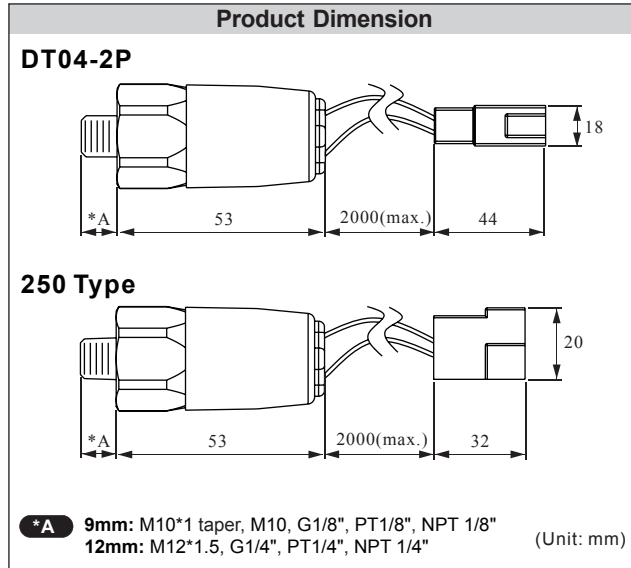


TYPE	SQ245 Series	SQ246 Series	SQ24U Series
<b>Hex Length</b>	24mm	24mm	24mm
<b>Body Material</b>	Zinc-Plated Steel	SUS316	Brass
<b>Wiring</b>	DT04-2P, 250 Type	DT04-2P, 250 Type	DT04-2P, 250 Type
<b>Contact rating (Max.)</b>	4A/ 50Vdc, 4A/ 250Vac	4A/ 50Vdc, 4A/ 250Vac	4A/ 50Vdc, 4A/ 250Vac
<b>Response Frequency</b>	2Hz	2Hz	2Hz
<b>Max. Voltage Peak</b>	1.5KV (IEC60947-2)	1.5KV (IEC60947-2)	1.5KV (IEC60947-2)
<b>Electric Insulation</b>	100MΩ(IEC60092-54 section3)	100MΩ(IEC60092-54 section3)	100MΩ(IEC60092-54 section3)
<b>Membrane materials/ Operation temperature</b>	NBR(Standard) -10~100°C VITON -10~100°C EPDM -10~100°C NBR(Low Temp.) -30~100°C VITON(Low Temp.) -30~100°C EPDM(Low Temp.) -30~100°C	NBR(Standard) -10~100°C VITON -10~100°C EPDM -10~100°C NBR(Low Temp.) -30~100°C VITON(Low Temp.) -30~100°C EPDM(Low Temp.) -30~100°C	NBR(Standard) -10~100°C VITON -10~100°C EPDM -10~100°C NBR(Low Temp.) -30~100°C VITON(Low Temp.) -30~100°C EPDM(Low Temp.) -30~100°C
<b>Pressure Range</b>	0.2~300bar	0.2~300bar	0.2~300bar
<b>Piping Selection</b>	M10*1 (taper) M10*1, M12*1.5 PT1/8", PT1/4" G1/8", G1/4" NPT 1/8", NPT 1/4"	M10*1 (taper) M10*1, M12*1.5 PT1/8", PT1/4" G1/8", G1/4" NPT 1/8", NPT 1/4"	M10*1 (taper) M10*1, M12*1.5 PT1/8", PT1/4" G1/8", G1/4" NPT 1/8", NPT 1/4"
<b>Contact Model</b>	NO, NC	NO, NC	NO, NC
<b>Protection</b>	IP67 ( IEC 60529)	IP67 ( IEC 60529)	IP67 ( IEC 60529)
<b>Mechanical Life</b>	1.5X10 <sup>6</sup> cycles (in 50 bar)	1.5X10 <sup>6</sup> cycles (in 50 bar)	1.5X10 <sup>6</sup> cycles (in 50 bar)
<b>Shock Resistance</b>	ISO / IEC 17025, Half Sine Wave, Acceleration: 30G@14ms, ±X, ±Y, ±Z axis	ISO / IEC 17025, Half Sine Wave, Acceleration: 30G@14ms, ±X, ±Y, ±Z axis	ISO / IEC 17025, Half Sine Wave, Acceleration: 30G@14ms, ±X, ±Y, ±Z axis
<b>Vibration Resistance</b>	ISO / IEC 17025, Sine Wave, 5-200 Hz, Acceleration: 10G, Displacement: 16 mm, Sweeping Rate: 1 Oct/ min, Test Direction: X, Y, Z axis, Test Time: 1hr for each	ISO / IEC 17025, Sine Wave, 5-200 Hz, Acceleration: 10G, Displacement: 16 mm, Sweeping Rate: 1 Oct/ min, Test Direction: X, Y, Z axis, Test Time: 1hr for each	ISO / IEC 17025, Sine Wave, 5-200 Hz, Acceleration: 10G, Displacement: 16 mm, Sweeping Rate: 1 Oct/ min, Test Direction: X, Y, Z axis, Test Time: 1hr for each

Feature
<ul style="list-style-type: none"> <li>■ Robust In Any Severe Application</li> <li>■ Customized Body Housing (steel, Sus316, Brass)</li> <li>■ Selectable Contact (gold Contact Or Silver Contact)</li> <li>■ Screw / Push-on Terminal Contact Selectable</li> <li>■ High Quality And Cost Effective</li> <li>■ Adjustable Pressure Range Setting</li> </ul>

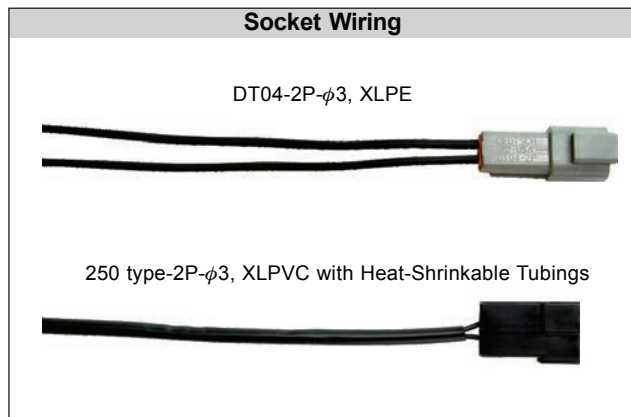
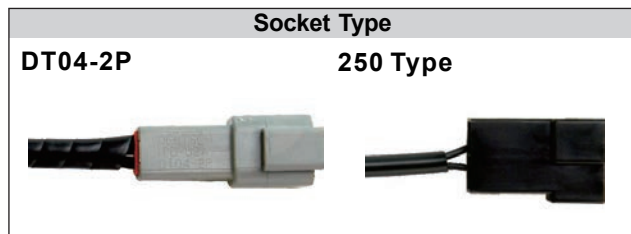
Application
<ul style="list-style-type: none"> <li>■ Pressure Detection For Automobile Braking System</li> <li>■ Pressure Control For Piping System</li> <li>■ Hydraulic Detection For Fire Fighting System</li> <li>■ Hydraulic Industry</li> <li>■ Lubrication System</li> <li>■ Sprinkler System</li> <li>■ Air Compressor</li> <li>■ Medical Equipment</li> <li>■ Tire Manufacturing</li> </ul>

# PRODUCT DIMENSION/ PRESSURE RANGE TOLERANCE



## SQ24 Series Fixed Pressure

Pressure range	Tolerance	Connection
0.2~0.9 bar	± 0.1 Bar	M10X1 (taper)
		M10X1
		M12X1.5
1~9.9 bar	± 0.5 Bar	1/8"PT
		1/4"PT
		1/8"G
100~300 bar	± 5 %	1/4"G
		1/8"NPT
		1/4"NPT



# SQ27 SPDT TYPE



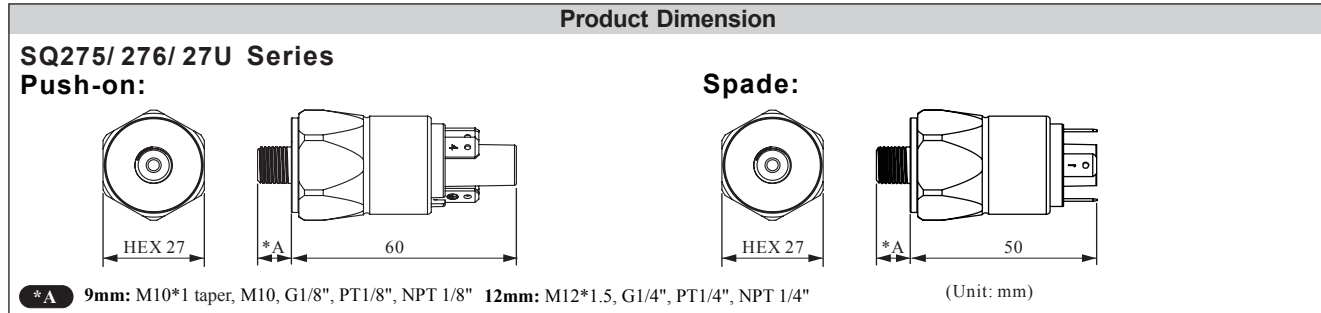
TYPE	SQ275 Series		SQ276 Series		SQ27U Series	
<b>Hex Length</b>	27mm		27mm		27mm	
<b>Body Material</b>	Zinc-Plated Steel		SUS316		Brass	
<b>Wiring</b>	Push-on	Spade Terminal	Push-on	Spade Terminal	Push-on	Spade Terminal
<b>Contact rating (Max.)</b>	2A/ 50Vdc, 4A/ 250Vac		2A/ 50Vdc, 4A/ 250Vac		2A/ 50Vdc, 4A/ 250Vac	
<b>Response Frequency</b>	2Hz		2Hz		2Hz	
<b>Max. Voltage Peak</b>	1.5KV (IEC60947-2)		1.5KV (IEC60947-2)		1.5KV (IEC60947-2)	
<b>Electric Insulation</b>	100MΩ(IEC60092-54 section3)		100MΩ(IEC60092-54 section3)		100MΩ(IEC60092-54 section3)	
<b>Membrane materials/ Operation temperature</b>	NBR(Standard) -10~100°C VITON -10~100°C EPDM -10~100°C NBR(Low Temp.) -30~100°C VITON(Low Temp.) -30~100°C EPDM(Low Temp.) -30~100°C		NBR(Standard) -10~100°C VITON -10~100°C EPDM -10~100°C NBR(Low Temp.) -30~100°C VITON(Low Temp.) -30~100°C EPDM(Low Temp.) -30~100°C		NBR(Standard) -10~100°C VITON -10~100°C EPDM -10~100°C NBR(Low Temp.) -30~100°C VITON(Low Temp.) -30~100°C EPDM(Low Temp.) -30~100°C	
<b>Pressure Range</b>	0.3~100bar (≤20bar with UL certification)		0.3~100bar (≤20bar with UL certification)		0.3~100bar (≤20bar with UL certification)	
<b>Piping Selection</b>	M10*1 (taper) M10*1, M12*1.5 PT1/8", PT1/4" G1/8", G1/4" NPT 1/8", NPT 1/4"		M10*1 (taper) M10*1, M12*1.5 PT1/8", PT1/4" G1/8", G1/4" NPT 1/8", NPT 1/4"		M10*1 (taper) M10*1, M12*1.5 PT1/8", PT1/4" G1/8", G1/4" NPT 1/8", NPT 1/4"	
<b>Contact Model</b>	SPDT		SPDT		SPDT	
<b>Body Protection</b>	IP00 ( IEC 60529)		IP00 ( IEC 60529)		IP00 ( IEC 60529)	
<b>Protection</b>	IP65 ( IEC 60529)		IP65 ( IEC 60529)		IP65 ( IEC 60529)	
<b>Mechanical Life</b>	1.5X10 <sup>6</sup> cycles (in 50 bar)		1.5X10 <sup>6</sup> cycles (in 50 bar)		1.5X10 <sup>6</sup> cycles (in 50 bar)	
<b>Screw Torque</b>	<0.35Nm		<0.35Nm		<0.35Nm	
<b>Shock Resistance</b>	ISO / IEC 17025, Half Sine Wave, Acceleration: 30G@14ms, ±X, ±Y, ±Z axis		ISO / IEC 17025, Half Sine Wave, Acceleration: 30G@14ms, ±X, ±Y, ±Z axis		ISO / IEC 17025, Half Sine Wave, Acceleration: 30G@14ms, ±X, ±Y, ±Z axis	
<b>Vibration Resistance</b>	ISO / IEC 17025, Sine Wave, 5-200 Hz, Acceleration: 10G, Displacement: 16 mm, Sweeping Rate: 1 Oct/ min, Test Direction: X, Y, Z axis, Test Time: 1hr for each		ISO / IEC 17025, Sine Wave, 5-200 Hz, Acceleration: 10G, Displacement: 16 mm, Sweeping Rate: 1 Oct/ min, Test Direction: X, Y, Z axis, Test Time: 1hr for each		ISO / IEC 17025, Sine Wave, 5-200 Hz, Acceleration: 10G, Displacement: 16 mm, Sweeping Rate: 1 Oct/ min, Test Direction: X, Y, Z axis, Test Time: 1hr for each	

Feature
<ul style="list-style-type: none"> <li>■ Robust In Any Severe Application</li> <li>■ Customized Body Housing (steel, Sus316, Brass)</li> <li>■ Selectable Contact (gold Contact Or Silver Contact)</li> <li>■ Screw / Push-on Terminal Contact Selectable</li> <li>■ High Quality And Cost Effective</li> <li>■ Adjustable Pressure Range Setting</li> </ul>

Application
<ul style="list-style-type: none"> <li>■ Pressure Detection For Automobile Braking System</li> <li>■ Pressure Control For Piping System</li> <li>■ Hydraulic Detection For Fire Fighting System</li> <li>■ Hydraulic Industry</li> <li>■ Lubrication System</li> <li>■ Sprinkler System</li> <li>■ Air Compressor</li> <li>■ Medical Equipment</li> <li>■ Tire Manufacturing</li> </ul>



# PRODUCT DIMENSION/ PRESSURE RANGE TOLERANCE



## SQ27 Series Field Adjustable/ Fixed Pressure

※ ≤20bar with UL certification

Pressure range	Tolerance	Connection
0.3~0.9bar	± 0.1 bar	M10X1 (taper)
		M10X1
		M12X1.5
		1/8"PT
		1/4"PT
		1/8"G
		1/4"G
		1/8"NPT
1~9.9bar	± 0.5 bar	M10X1 (taper)
		M10X1
		M12X1.5
		1/8"PT
10~19bar	± 5%	1/4"PT
		1/8"G
		1/4"G
		1/8"NPT
20~49bar	± 5%	1/4"NPT
		M10X1 (taper)
		M10X1
		M12X1.5
50~100bar	± 5%	1/8"PT
		1/4"PT
		1/8"G
		1/4"G
		1/8"NPT
		1/4"NPT
		1/8"NPT
		1/4"NPT

# SQ27 DIN TYPE



TYPE	SQ275 Series	SQ276 Series	SQ27U Series
<b>Hex Length</b>	27mm	27mm	27mm
<b>Body Material</b>	Zinc-Plated Steel ROHS	SUS316	Brass
<b>Contact rating (Max.)</b>	2A/ 50Vdc, 4A/ 250Vac	2A/ 50Vdc, 4A/ 250Vac	2A/ 50Vdc, 4A/ 250Vac
<b>Response Frequency</b>	2Hz	2Hz	2Hz
<b>Max. Voltage Peak</b>	1.5KV (IEC60947-2)	1.5KV (IEC60947-2)	1.5KV (IEC60947-2)
<b>Electric Insulation</b>	100MΩ(IEC60092-54 section3)	100MΩ(IEC60092-54 section3)	100MΩ(IEC60092-54 section3)
<b>Membrane materials/ Operation temperature</b>	NBR(Standard) -10~100°C VITON -10~100°C EPDM -10~100°C NBR(Low Temp.) -30~100°C VITON(Low Temp.) -30~100°C EPDM(Low Temp.) -30~100°C	NBR(Standard) -10~100°C VITON -10~100°C EPDM -10~100°C NBR(Low Temp.) -30~100°C VITON(Low Temp.) -30~100°C EPDM(Low Temp.) -30~100°C	NBR(Standard) -10~100°C VITON -10~100°C EPDM -10~100°C NBR(Low Temp.) -30~100°C VITON(Low Temp.) -30~100°C EPDM(Low Temp.) -30~100°C
<b>Pressure Range</b>	0.3~100bar (≤20bar with UL certification)	0.3~100bar (≤20bar with UL certification)	0.3~100bar (≤20bar with UL certification)
<b>Piping Selection</b>	M10*1 (taper) M10*1, M12*1.5 PT1/8", PT1/4" G1/8", G1/4" NPT 1/8", NPT 1/4"	M10*1 (taper) M10*1, M12*1.5 PT1/8", PT1/4" G1/8", G1/4" NPT 1/8", NPT 1/4"	M10*1 (taper) M10*1, M12*1.5 PT1/8", PT1/4" G1/8", G1/4" NPT 1/8", NPT 1/4"
<b>Contact Model</b>	SPDT	SPDT	SPDT
<b>Protection</b>	IP65 ( IEC 60529)	IP65 ( IEC 60529)	IP65 ( IEC 60529)
<b>Mechanical Life</b>	1.5X10 <sup>6</sup> cycles (in 50 bar)	1.5X10 <sup>6</sup> cycles (in 50 bar)	1.5X10 <sup>6</sup> cycles (in 50 bar)
<b>Screw Torque</b>	<0.35Nm	<0.35Nm	<0.35Nm
<b>Shock Resistance</b>	ISO / IEC 17025, Half Sine Wave, Acceleration: 30G@14ms, ±X, ±Y, ±Z axis	ISO / IEC 17025, Half Sine Wave, Acceleration: 30G@14ms, ±X, ±Y, ±Z axis	ISO / IEC 17025, Half Sine Wave, Acceleration: 30G@14ms, ±X, ±Y, ±Z axis
<b>Vibration Resistance</b>	ISO / IEC 17025, Sine Wave, 5-200 Hz, Acceleration: 10G, Displacement: 16 mm, Sweeping Rate: 1 Oct/ min, Test Direction: X, Y, Z axis, Test Time: 1hr for each	ISO / IEC 17025, Sine Wave, 5-200 Hz, Acceleration: 10G, Displacement: 16 mm, Sweeping Rate: 1 Oct/ min, Test Direction: X, Y, Z axis, Test Time: 1hr for each	ISO / IEC 17025, Sine Wave, 5-200 Hz, Acceleration: 10G, Displacement: 16 mm, Sweeping Rate: 1 Oct/ min, Test Direction: X, Y, Z axis, Test Time: 1hr for each

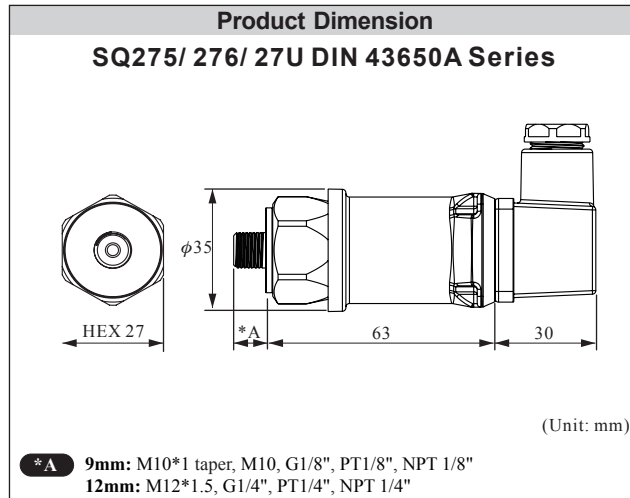
## Feature

- Robust In Any Severe Application
- Customized Body Housing  
(steel, Sus316, Brass)
- Selectable Contact  
(Gold Contact or Silver Contact)
- Screw / Push-on Terminal Contact Selectable
- High Quality And Cost Effective
- Adjustable Pressure Range Setting

## Application

- Pressure Detection For Automobile Braking System
- Pressure Control For Piping System
- Hydraulic Detection For Fire Fighting System
- Hydraulic Industry
- Lubrication System
- Sprinkler System
- Air Compressor
- Medical Equipment
- Tire Manufacturing

# PRODUCT DIMENSION/ PRESSURE RANGE TOLERANCE



## SQ27 DIN Series Field Adjustable/ Fixed Pressure

※ ≤20bar with UL certification

Pressure range	Tolerance	Connection
0.3~0.9bar	± 0.1 bar	M10X1 (taper)
		M10X1
		M12X1.5
		1/8"PT
		1/4"PT
		1/8"G
		1/4"G
		1/8"NPT
1~9.9bar	± 0.5 bar	M10X1 (taper)
		M10X1
		M12X1.5
		1/8"PT
10~19bar	± 5%	1/4"PT
		1/8"G
		1/4"G
		1/8"NPT
20~49bar	± 5%	1/4"NPT
		M10X1 (taper)
		M10X1
		M12X1.5
		1/8"PT
50~100bar	± 5%	1/4"PT
		1/8"G
		1/4"G
		1/8"NPT
		1/4"NPT
		M10X1 (taper)
		M10X1
		M12X1.5
1/8"PT		

# SQ34 SPST HIGH ACCURAY TYPE

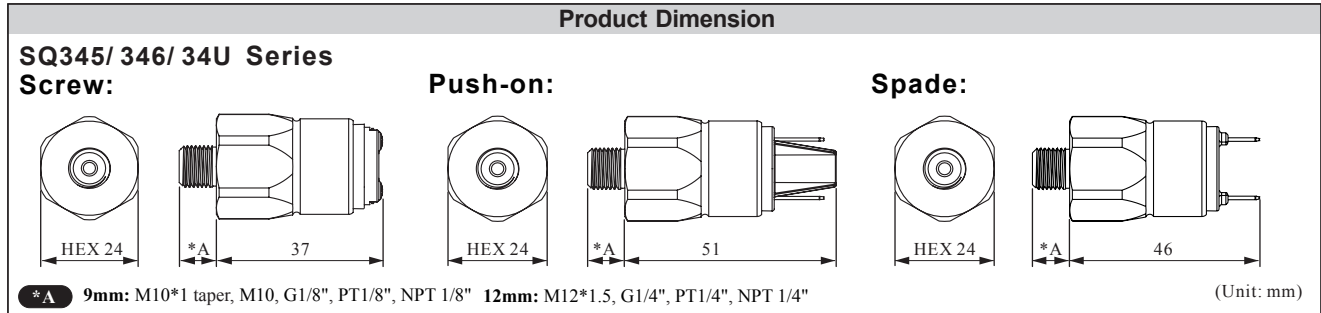


TYPE	SQ345 Series			SQ346 Series			SQ34U Series		
Hex length	24mm			24mm			24mm		
Body material	Zinc-Plated Steel ROHS			SUS316			Brass		
Wiring	Screw	Push-on	Spade Terminal	Screw	Push-on	Spade Terminal	Screw	Push-on	Spade Terminal
Contact rating (Max.)	4A/ 50Vdc, 4A/ 250Vac			4A/ 50Vdc, 4A/ 250Vac			4A/ 50Vdc, 4A/ 250Vac		
Response frequency	2Hz			2Hz			2Hz		
Max. Voltage peak	1.5KV (IEC60947-2)			1.5KV (IEC60947-2)			1.5KV (IEC60947-2)		
Electric insulation	100MΩ(IEC60092-54 section3)			100MΩ(IEC60092-54 section3)			100MΩ(IEC60092-54 section3)		
Membrane materials/ Operation temperature	NBR(Standard)	-10~100°C		NBR(Standard)	-10~100°C		NBR(Standard)	-10~100°C	
	VITON	-10~100°C		VITON	-10~100°C		VITON	-10~100°C	
	EPDM	-10~100°C		EPDM	-10~100°C		EPDM	-10~100°C	
	NBR(Low Temp.)	-30~100°C		NBR(Low Temp.)	-30~100°C		NBR(Low Temp.)	-30~100°C	
	VITON(Low Temp.)	-30~100°C		VITON(Low Temp.)	-30~100°C		VITON(Low Temp.)	-30~100°C	
	EPDM(Low Temp.)	-30~100°C		EPDM(Low Temp.)	-30~100°C		EPDM(Low Temp.)	-30~100°C	
Pressure range	0.2~99bar (≤20bar with UL certification)			0.2~99bar (≤20bar with UL certification)			0.2~99bar (≤20bar with UL certification)		
Piping selection	M10*1 (taper) M10*1, M12*1.5 PT1/8", PT1/4" G1/8", G1/4" NPT 1/8", NPT 1/4"			M10*1 (taper) M10*1, M12*1.5 PT1/8", PT1/4" G1/8", G1/4" NPT 1/8", NPT 1/4"			M10*1 (taper) M10*1, M12*1.5 PT1/8", PT1/4" G1/8", G1/4" NPT 1/8", NPT 1/4"		
Contact model	NO, NC			NO, NC			NO, NC		
Protection	IP67 ( IEC 60529)			IP67 ( IEC 60529)			IP67 ( IEC 60529)		
Mechanical life	1.5X10 <sup>6</sup> cycles (in 50 bar)			1.5X10 <sup>6</sup> cycles (in 50 bar)			1.5X10 <sup>6</sup> cycles (in 50 bar)		
Screw torque	<0.35Nm			<0.35Nm			<0.35Nm		
Shock resistance	ISO / IEC 17025, Half Sine Wave, Acceleration: 30G@14ms, ±X, ±Y, ±Z axis			ISO / IEC 17025, Half Sine Wave, Acceleration: 30G@14ms, ±X, ±Y, ±Z axis			ISO / IEC 17025, Half Sine Wave, Acceleration: 30G@14ms, ±X, ±Y, ±Z axis		
Vibration resistance	ISO / IEC 17025, Sine Wave, 5-200 Hz, Acceleration: 10G, Displacement: 16 mm, Sweeping Rate: 1 Oct/ min, Test Direction: X, Y, Z axis, Test Time: 1hr for each			ISO / IEC 17025, Sine Wave, 5-200 Hz, Acceleration: 10G, Displacement: 16 mm, Sweeping Rate: 1 Oct/ min, Test Direction: X, Y, Z axis, Test Time: 1hr for each			ISO / IEC 17025, Sine Wave, 5-200 Hz, Acceleration: 10G, Displacement: 16 mm, Sweeping Rate: 1 Oct/ min, Test Direction: X, Y, Z axis, Test Time: 1hr for each		

Feature
<ul style="list-style-type: none"> <li>■ Robust In Any Severe Application</li> <li>■ Customized Body Housing (steel, Sus316, Brass)</li> <li>■ Selectable Contact (Gold Contact or Silver Contact)</li> <li>■ Screw / Push-on Terminal Contact Selectable</li> <li>■ High Quality And Cost Effective</li> <li>■ Adjustable Pressure Range Setting</li> </ul>

Application
<ul style="list-style-type: none"> <li>■ Pressure Detection For Automobile Braking System</li> <li>■ Pressure Control For Piping System</li> <li>■ Hydraulic Detection For Fire Fighting System</li> <li>■ Hydraulic Industry</li> <li>■ Lubrication System</li> <li>■ Sprinkler System</li> <li>■ Air Compressor</li> <li>■ Medical Equipment</li> <li>■ Tire Manufacturing</li> </ul>

# PRODUCT DIMENSION/ PRESSURE RANGE TOLERANCE



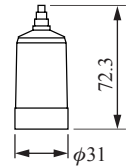
## SQ34 Series Field Adjustable Pressure/ Fixed Pressure

※ ≤20bar with UL certification

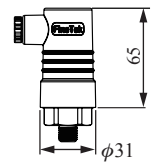
Pressure range	Tolerance	Connection
0.2~0.9bar	±0.05bar	M10X1 (taper)
		M10X1
		M12X1.5
		1/8"PT
		1/4"PT
		1/8"G
		1/4"G
		1/8"NPT
1~9.9bar	±0.3bar	M10X1 (taper)
		M10X1
		M12X1.5
		1/8"PT
10~19bar	±3%	1/4"PT
		1/8"G
		1/4"G
		1/8"NPT
20~49bar	±3%	1/4"NPT
		M10X1 (taper)
		M10X1
		M12X1.5
50~99bar	±3%	1/8"PT
		1/4"PT
		1/8"G
		1/4"G
		1/8"NPT
		1/4"NPT
		M10X1 (taper)
		M10X1

### Option:

Body Protect Cover: SQXAM1P-07D0000001  
Material: NBR  
Protection Grade: IP67



Body Protect Cover: SQXCM1P-PGA0000001  
Material: Nylon  
Protection Grade: IP67  
★ Only SQ34 Push-on Type to use.



To comply with CE, SQ34 series need to add anti-dust cover.



# SQ34 SPST HIGH ACCURAY TYPE

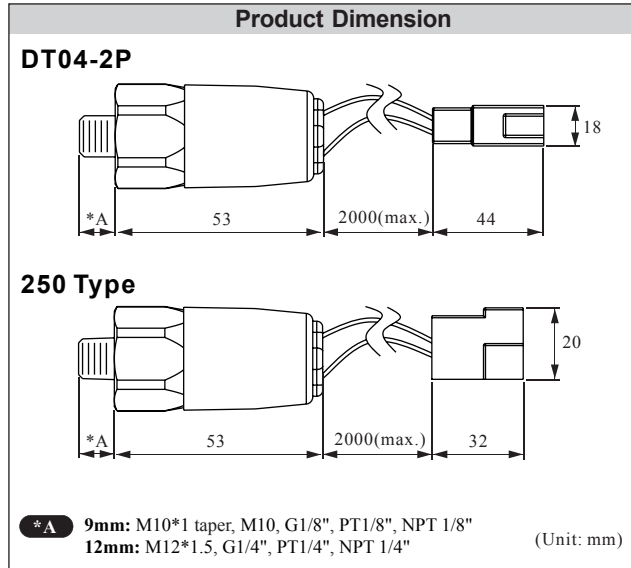


TYPE	SQ345 Series	SQ346 Series	SQ34U Series
<b>Hex Length</b>	24mm	24mm	24mm
<b>Body Material</b>	Zinc-Plated Steel	SUS316	Brass
<b>Wiring</b>	DT04-2P, 250 Type	DT04-2P, 250 Type	DT04-2P, 250 Type
<b>Contact rating (Max.)</b>	4A/ 50Vdc, 4A/ 250Vac	4A/ 50Vdc, 4A/ 250Vac	4A/ 50Vdc, 4A/ 250Vac
<b>Response Frequency</b>	2Hz	2Hz	2Hz
<b>Max. Voltage Peak</b>	1.5KV (IEC60947-2)	1.5KV (IEC60947-2)	1.5KV (IEC60947-2)
<b>Electric Insulation</b>	100MΩ(IEC60092-54 section3)	100MΩ(IEC60092-54 section3)	100MΩ(IEC60092-54 section3)
<b>Membrane materials/ Operation temperature</b>	NBR(Standard) -10~100°C VITON -10~100°C EPDM -10~100°C NBR(Low Temp.) -30~100°C VITON(Low Temp.) -30~100°C EPDM(Low Temp.) -30~100°C	NBR(Standard) -10~100°C VITON -10~100°C EPDM -10~100°C NBR(Low Temp.) -30~100°C VITON(Low Temp.) -30~100°C EPDM(Low Temp.) -30~100°C	NBR(Standard) -10~100°C VITON -10~100°C EPDM -10~100°C NBR(Low Temp.) -30~100°C VITON(Low Temp.) -30~100°C EPDM(Low Temp.) -30~100°C
<b>Pressure Range</b>	0.2~99bar	0.2~99bar	0.2~99bar
<b>Piping Selection</b>	M10*1 (taper) M10*1, M12*1.5 PT1/8", PT1/4" G1/8", G1/4" NPT 1/8", NPT 1/4"	M10*1 (taper) M10*1, M12*1.5 PT1/8", PT1/4" G1/8", G1/4" NPT 1/8", NPT 1/4"	M10*1 (taper) M10*1, M12*1.5 PT1/8", PT1/4" G1/8", G1/4" NPT 1/8", NPT 1/4"
<b>Contact Model</b>	NO, NC	NO, NC	NO, NC
<b>Protection</b>	IP67 ( IEC 60529)	IP67 ( IEC 60529)	IP67 ( IEC 60529)
<b>Mechanical Life</b>	1.5X10 <sup>6</sup> cycles (in 50 bar)	1.5X10 <sup>6</sup> cycles (in 50 bar)	1.5X10 <sup>6</sup> cycles (in 50 bar)
<b>Shock Resistance</b>	ISO / IEC 17025, Half Sine Wave, Acceleration: 30G@14ms, ±X, ±Y, ±Z axis	ISO / IEC 17025, Half Sine Wave, Acceleration: 30G@14ms, ±X, ±Y, ±Z axis	ISO / IEC 17025, Half Sine Wave, Acceleration: 30G@14ms, ±X, ±Y, ±Z axis
<b>Vibration Resistance</b>	ISO / IEC 17025, Sine Wave, 5-200 Hz, Acceleration: 10G, Displacement: 16 mm, Sweeping Rate: 1 Oct/ min, Test Direction: X, Y, Z axis, Test Time: 1hr for each	ISO / IEC 17025, Sine Wave, 5-200 Hz, Acceleration: 10G, Displacement: 16 mm, Sweeping Rate: 1 Oct/ min, Test Direction: X, Y, Z axis, Test Time: 1hr for each	ISO / IEC 17025, Sine Wave, 5-200 Hz, Acceleration: 10G, Displacement: 16 mm, Sweeping Rate: 1 Oct/ min, Test Direction: X, Y, Z axis, Test Time: 1hr for each

Feature
<ul style="list-style-type: none"> <li>■ Robust In Any Severe Application</li> <li>■ Customized Body Housing (steel, Sus316, Brass)</li> <li>■ Selectable Contact (gold Contact Or Silver Contact)</li> <li>■ Screw / Push-on Terminal Contact Selectable</li> <li>■ High Quality And Cost Effective</li> <li>■ Adjustable Pressure Range Setting</li> </ul>

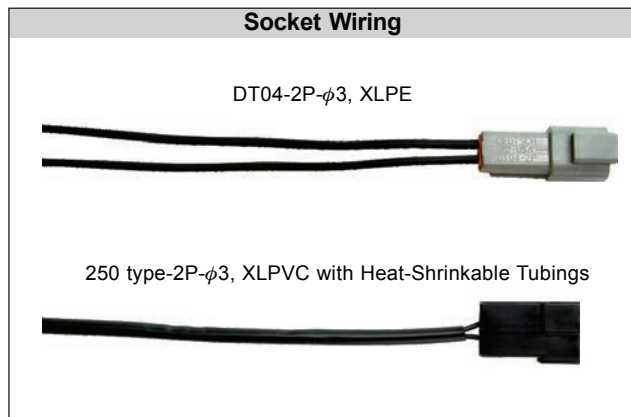
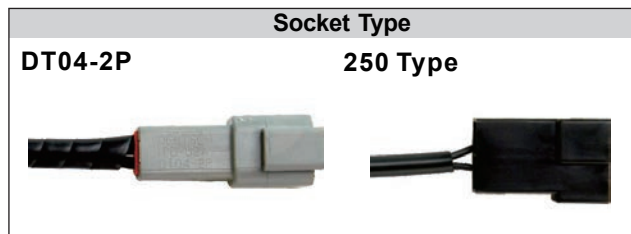
Application
<ul style="list-style-type: none"> <li>■ Pressure Detection For Automobile Braking System</li> <li>■ Pressure Control For Piping System</li> <li>■ Hydraulic Detection For Fire Fighting System</li> <li>■ Hydraulic Industry</li> <li>■ Lubrication System</li> <li>■ Sprinkler System</li> <li>■ Air Compressor</li> <li>■ Medical Equipment</li> <li>■ Tire Manufacturing</li> </ul>

# PRODUCT DIMENSION/ PRESSURE RANGE TOLERANCE



## SQ34 Series Fixed Pressure

Pressure range	Tolerance	Connection
0.2~0.9 bar	± 0.05 Bar	M10X1 (taper)
		M10X1
		M12X1.5
1~9.9 bar	± 0.3 Bar	1/8"PT
		1/4"PT
		1/8"G
10~99 bar	± 3 %	1/4"G
		1/8"NPT
		1/4"NPT



# ORDER INFORMATION

SQX1  <sup>05</sup>  <sup>06</sup>  <sup>07</sup>  <sup>08</sup> -  <sup>09</sup>  <sup>10</sup>  <sup>11</sup>  <sup>12</sup>  <sup>13</sup>  <sup>14</sup>  <sup>15</sup>  <sup>16</sup>  <sup>17</sup>  <sup>18</sup>  <sup>19</sup>  <sup>20</sup>  <sup>21</sup>  <sup>22</sup>  <sup>23</sup>  <sup>24</sup>  <sup>25</sup>  <sup>26</sup>

**05 06 Model**  
 00: Standard  
 05: High-Pressure  
 34: High-Accuracy

**07 08 Certification**  
 00: None  
 3A: UL

**09 Hex length**  
 A: 24mm  
 B: 27mm

**10 Contact model**  
 A: SPST-NO  
 B: SPST-NC  
 C: SPDT

**11 12 Connection**  
 A1: 1/8"  
 A2: 1/4"  
 I1: M10  
 I3: M12  
 A5: 1/2"

**13 14 Thread type**  
 01: PT male  
 07: NPT male  
 17: PF(G) male  
 78: (P)1 male  
 82: (P)1.5 male  
 90: (P)1(Taper) male

**15 Pressure regulation**  
 A: Field adjustable  
 B: Fixed

(Nextpage)

