





Cable plug for whisper valve Types 6712 and 6724

- Latching
- Stranded wire version available
- Boost Close and Soft Close electronics assembly
- Impuls-Elektronik



Product variants described in the data sheet may differ from the product presentation and description.

Can be combined with

	Type 6712 2/2-way Whisper Valve with media separation	▶
	Type 6724 2/2 or 3/2-way Whisper Valve with media separation	▶

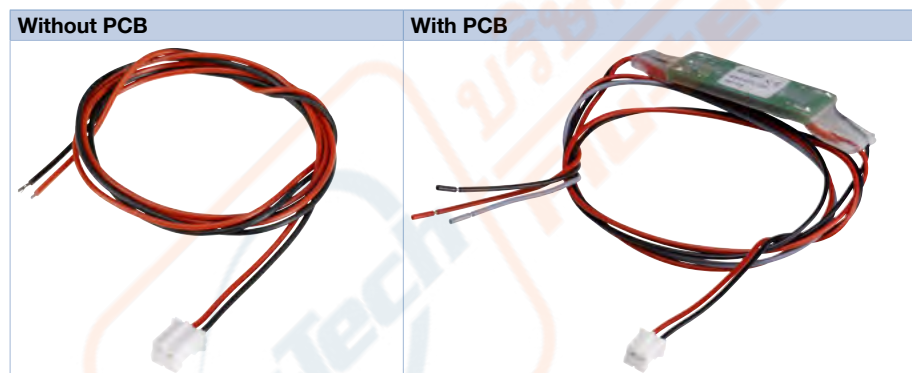
Type description

Plug connection with locking lugs for contacting Bürkert whisper valves. This robust and affordable plug connection has become well established for Bürkert whisper valves Types 6712 and 6724 in the fields of analysis technology. In addition to the stranded wire versions, versions with electronics assembly are also available that actively influence the switching behaviour of the valve and thus fully exploit the potential of the whisper valve actuator.

1. General technical data

Product properties	
Dimensions	Detailed information can be found in chapter "3. Dimensions" on page 4.
Material	
Connector housing	Polyamide
Plug contacts	Bronze gold-plated
Flying leads (insulation)	PVC
Flying leads cross section	0,22 mm ² corresponds to AWG 24
Number of pins	2 pin
Cable outlet	Straight
Electrical data	
Nominal voltage	Up to 24 V DC
Maximum continuous current	
Without PCB	2 A
With PCB	0.2 A
Contact resistance	≤ 10 mΩ
Environment and installation	
Ambient temperature without PCB	0 °C...+70 °C
Ambient temperature with PCB	0 °C...+60 °C
Protection class	IP10
Minimum bending radius	Single bending: 6 mm radius Multiple bending: 12 mm radius

2. Product versions

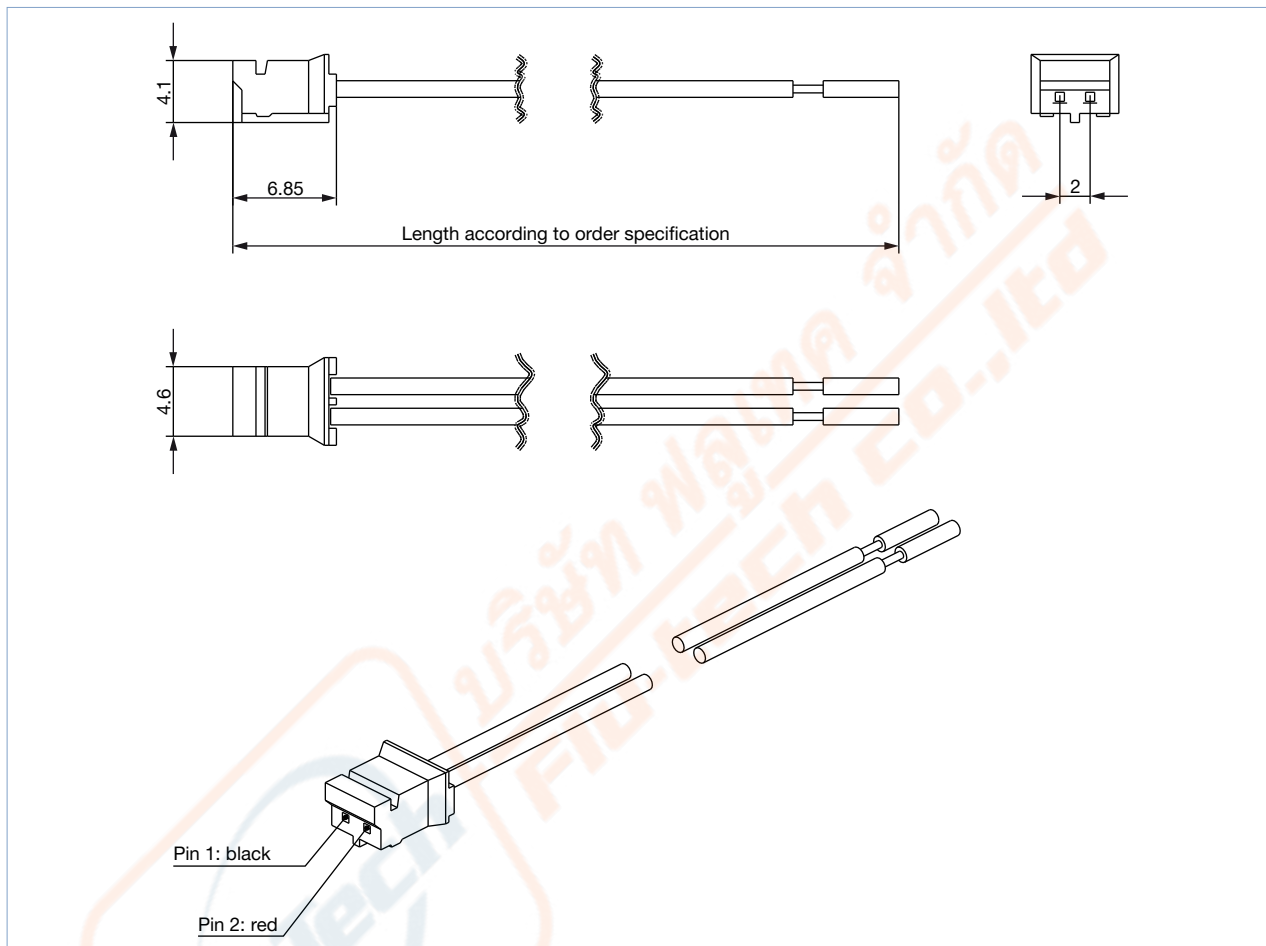


3. Dimensions

3.1. Connector without PCB

Note:

- Dimensions in mm
- On request, different flying lead lengths available
- On request, flying lead ends can be individually assembled for customer adaptation



Description	Flying leads length	Article no.
	Connector^{1.)} with flying leads AWG 24	
	500 mm	689974
	1000 mm	349986
	2000 mm	318330

1.) Plug connector comparable to e.g.: W+P: 521 series (socket 521-02-1; contact 521-01-2-00) or JST (socket PHR-2; contact SPH- 002GW-P0, 5S), as of 04/2015).

