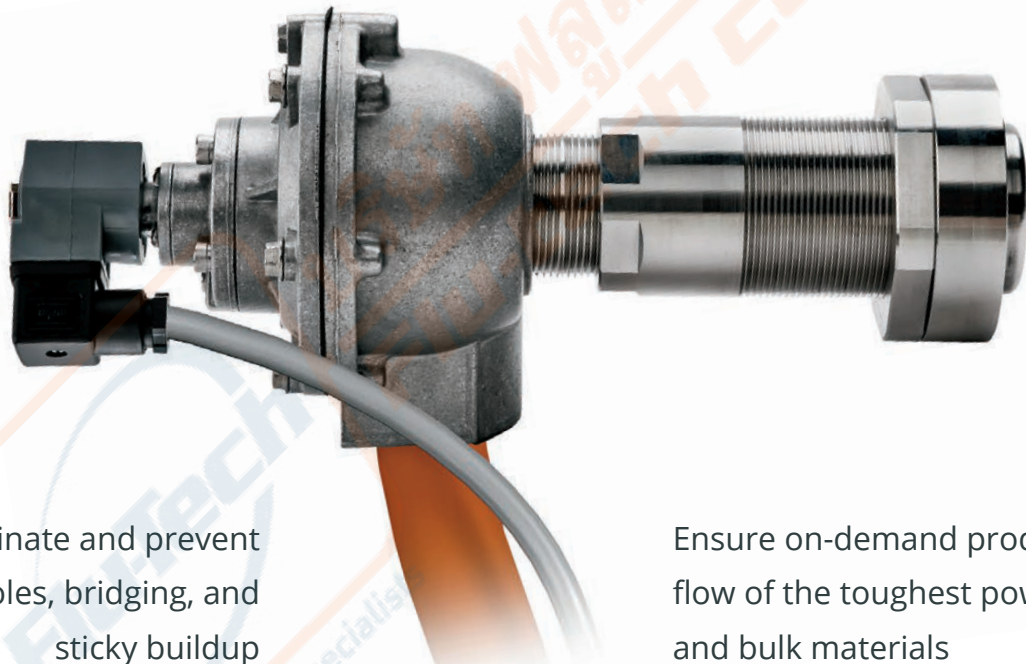


# AIRSWEEP®

## MATERIAL ACTIVATION SYSTEMS

### THE PROVEN SOLUTION FOR TOUGH MATERIAL FLOW PROBLEMS



Eliminate and prevent  
ratholes, bridging, and  
sticky buildup

Ensure on-demand product  
flow of the toughest powder  
and bulk materials



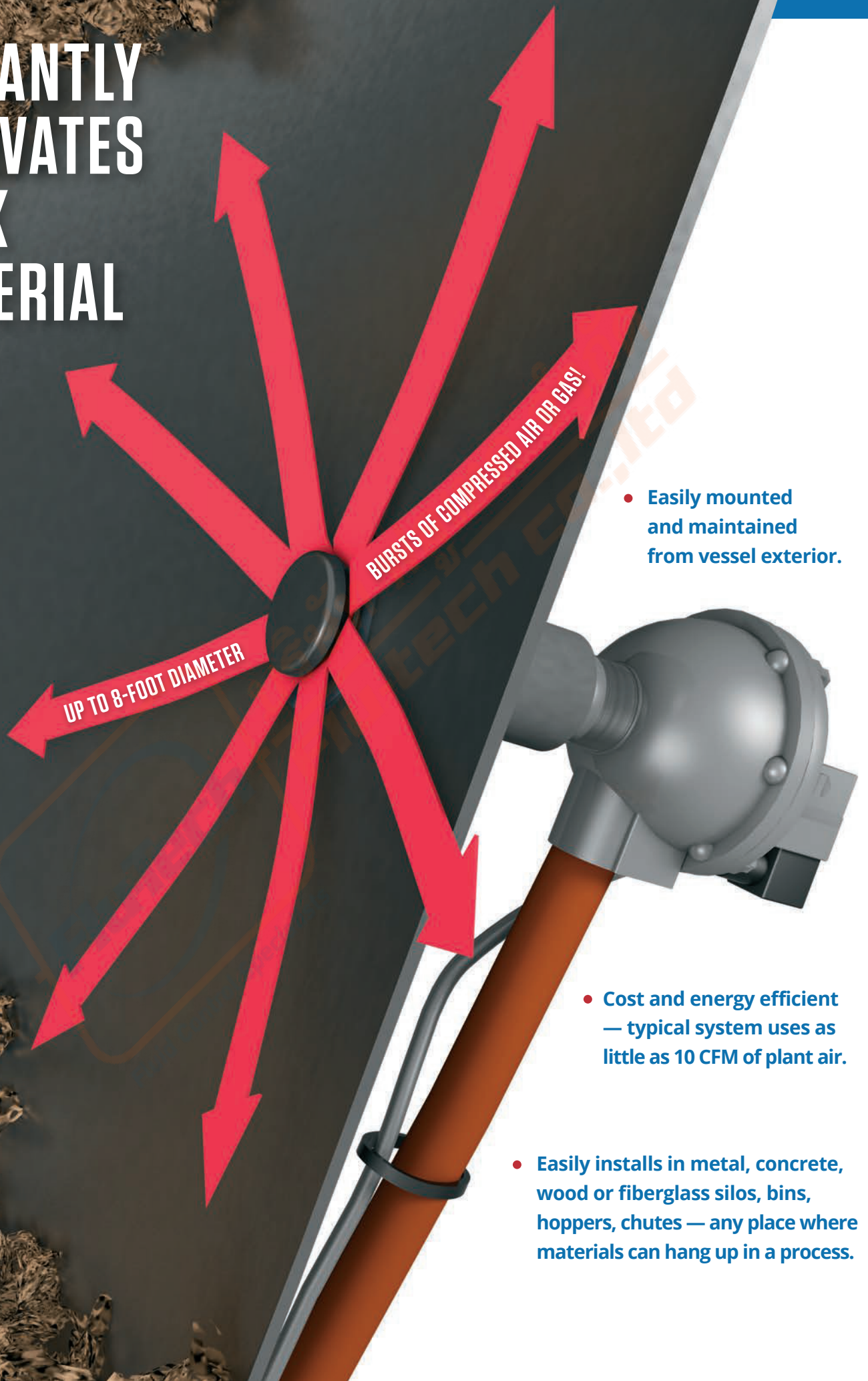
WWW.FLUTECH.CO.TH



LINE  
ADD FRIEND  
@flutech.co.th

FLU-TECH CO.,LTD | บริษัท ฟลูเทค จำกัด  
845/3-4 M.3 , Theparak, Muang, Samutprakan 10270  
845/3-4 หมู่ 3 ถ.เทพารักษ์ ต.เทพารักษ์ อ.เมือง จ.สมุทรปราการ 10270

# INSTANTLY ACTIVATES BULK MATERIAL



- Easily mounted and maintained from vessel exterior.

- Cost and energy efficient — typical system uses as little as 10 CFM of plant air.

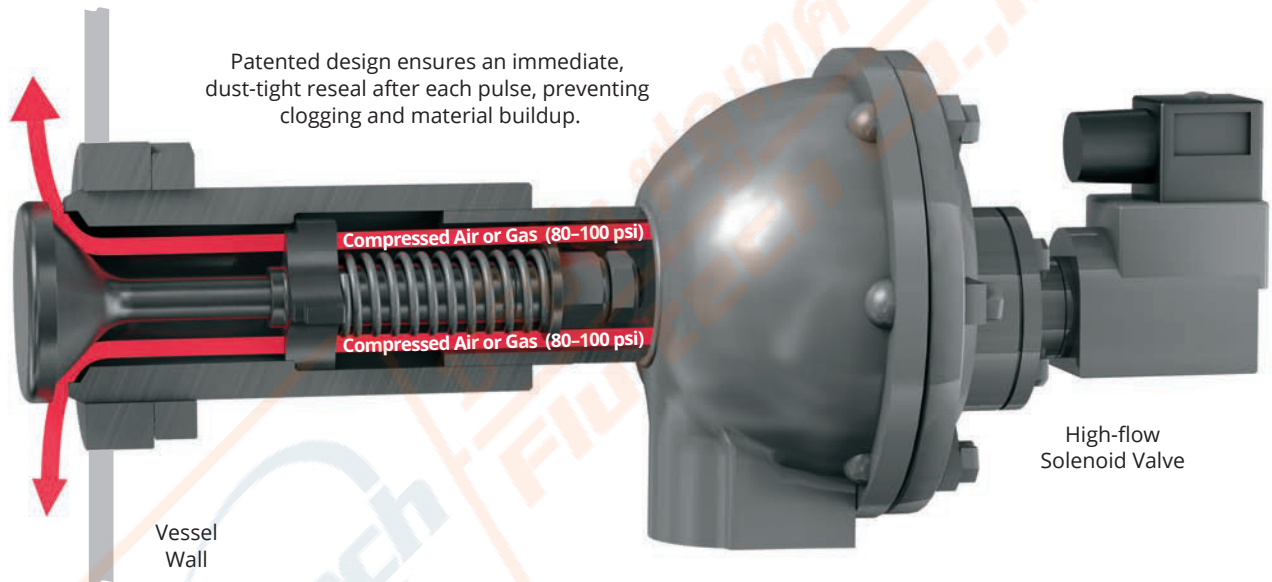
- Easily installs in metal, concrete, wood or fiberglass silos, bins, hoppers, chutes — any place where materials can hang up in a process.

**Prevent and eliminate hang-ups and blockages in your silos, bins, hoppers, and chutes** with coordinated, 360-degree bursts of compressed air/gas. Each pulse activates up to an 8' diameter of material without vibration or stress to the vessel.

**Activate bulk material with a first-in, first-out controlled flow** with sequenced pulsing of strategically-positioned AirSweeps.

**Installed and maintained from outside the bin**, each AirSweep can easily be retrofitted for any application—even in temperatures up to 900° F.

**Virtually maintenance-free performance.** The patented valve design utilizes only one moving part, ensuring an immediate reseal after each pulse, to prevent material feedback.



**Models and mounting available in many sizes and materials of construction to fit any application.**

### MODELS

**VA-06 (3/4")** – For small vessels and chutes

**VA-12 (1-1/2")** – For medium-sized vessels and chutes

**VA-51 (2")** – For large vessels and chutes

**Straight Shooter** – For applications requiring a focused column of air

**Tri-Clamp** – For applications requiring easy installation and removal

**USDA-Accepted** – For sanitary processing applications

### STANDARD MATERIALS OF CONSTRUCTION INCLUDE:

- Carbon Steel
- 304 Stainless Steel
- 316 Stainless Steel

Other materials available upon request.



# TYPICAL AIRSWEEP® SYSTEM

Strategically-located AirSweeps pulse in a programmed sequence to start and keep tough materials flowing.

