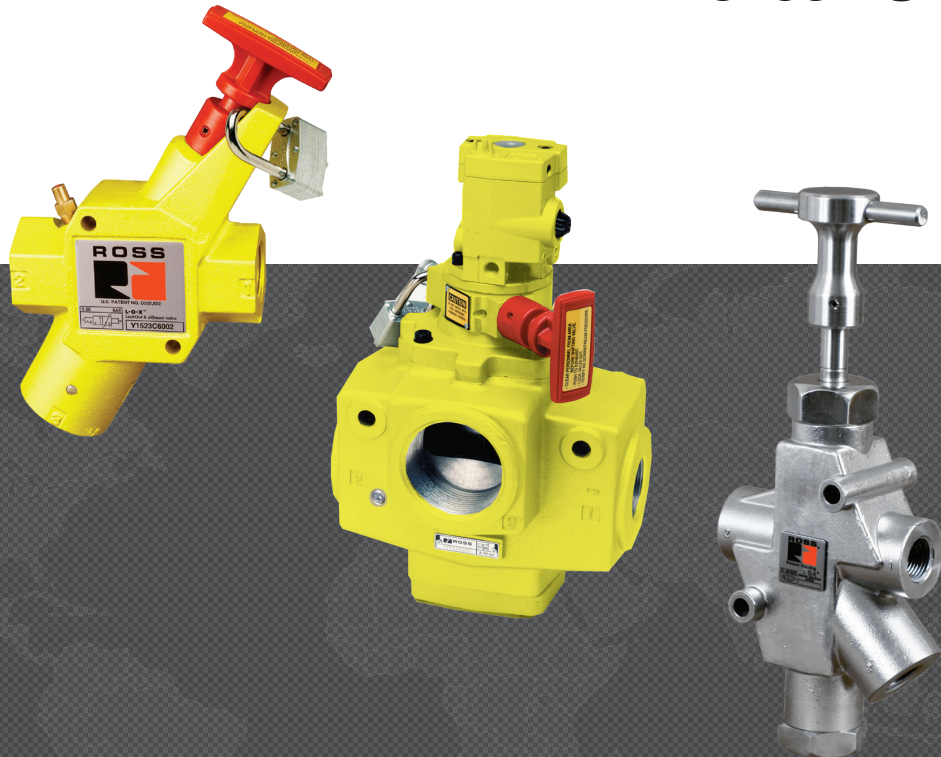




บริษัท ฟลูเทค จำกัด  
*Flu-tech co.,ltd*

# ENERGY ISOLATION MANUAL LOCKOUT L-O-X<sup>®</sup> VALVES

## PRODUCT CATALOG



# Manual Lockout L-O-X® Valves 15 Series

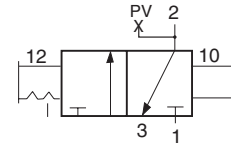
## Product Overview



### Energy Isolation Safety Function

The Lockout L-O-X® valve is used to block the supply and remove the downstream pressure from the circuit or machine and allow the employee to lockout the pneumatic energy for safe machine access.

Valve Schematic



ROSS manual L-O-X® (lockout & exhaust) valves are energy isolation valves and are generally used as the first valve in a line supplying compressed air to equipment.

OSHA and ISO 14118 compliance requires that the valve be padlocked in closed position to prevent handle from being pulled out inadvertently during maintenance and/or servicing.

Slim Line	Modular	Classic	High-Capacity	Stainless Steel
				

### VALVE FEATURES

#### Unique Appearance

Easily identifiable with a yellow body and a red handle to control ON/OFF positions (non-Stainless Steel)

#### Quick Energy Dump

Full size exhaust ports (equal to or larger than supply) provide rapid exhaust of downstream air and are threaded for silencers or remote exhaust lines

#### Locking Protection

Design only allows the valve to be lockable in the OFF (closed) position

#### PTFE Seals

Fluorocarbon slipper seals for easy shifting, even after long periods of inactivity

#### Visible Pressure Indication Option

Includes integrated sensing port for pressure verification with either a visual pop-up indicator or electrical pressure switch

#### Mounting

Inline or Surface

**NOTE: Per specifications and regulations, these products are defined as energy isolation devices, NOT AS EMERGENCY STOP DEVICES.**

## STANDARD SPECIFICATIONS

<b>GENERAL</b>	Function		Energy Isolation	
	Construction Design		3/2 Valve; Spool	
	Actuation		Manual	
	Mounting	Type	Slim Line Classic High-Capacity Stainless Steel	Inline or Surface
			Modular	Inline
	Orientation		Any, preferably vertical; easy access to the handle	
	Connection		Threaded; G, NPT	
Minimum Operation Frequency		Once per month, to ensure proper function		
<b>OPERATING CONDITIONS</b>	Temperature	Slim Line Modular Classic High-Capacity	Ambient Media 40° to 175°F (4° to 80°C)	
		Stainless Steel	Ambient Media 30° to 175°F (-1° to 80°C)	
	Flow Media		Filtered air	
	Operating Pressure	Slim Line	0 to 145 psig (0 to 10 bar)	
		Modular	0 to 200 psig (0 to 14 bar)	
Classic High Capacity Stainless Steel		0 to 300 psig (0 to 20.7 bar)		
<b>LOCK HOLE MEASURES</b>	Slim Line Modular Classic High-Capacity	Diameter	All Sizes 0.27 inch (7.0 mm)	
		Length of Hole	All Sizes 0.43 inch (10.9 mm)	
	Stainless Steel	Diameter	All Sizes 0.34 inch (8.64 mm)	
		Length of Hole	Port Size 1/4	0.44 in (11.17 mm)
			Port Size 1/2	0.47 in (11.93 mm)
			Port Size 1 and 2	0.55 inch (13.97 mm)
<b>CONSTRUCTION MATERIAL</b>	Valve Body	Slim Line Modular Classic High-Capacity	Cast Aluminum	
		Stainless Steel	316 Stainless Steel	
	Spool		Stainless Steel	
	Seals		Fluorocarbon	

**IMPORTANT NOTE:** Please read carefully and thoroughly all of the **CAUTIONS, WARNINGS** on the inside back cover.

*If a system requires gradual buildup of downstream pressure, see manual L-O-X® valves with EEZ-ON® operation.*

## PRODUCT CREDENTIALS

Safety Category	EAC Conformity Declaration	Canadian Registration Number (CRN)
		Available for appropriately tested valves

# Ordering Information

## MANUAL LOCKOUT L-O-X® VALVES

## 3-Way 2-Position Valves

Valve Style	Port Size		Body Size	Valve Model Number	
	In-Out	Exhaust		G Thread	NPT Thread
Slim Line	1/4	3/8	3/8	YD1523D2002	Y1523D2002
	3/8	3/8	3/8	YD1523D3012	Y1523D3012
Modular	1/4	3/4	3/4	YD1523A2003	Y1523A2003
	3/8	3/4	3/4	YD1523A3003	Y1523A3003
	1/2	3/4	3/4	YD1523A4003	Y1523A4003
	3/4	3/4	3/4	YD1523A5013	Y1523A5013
Classic	3/8	3/4	1/2	YD1523C3002	Y1523C3002
	1/2	3/4	1/2	YD1523C4002	Y1523C4002
	3/4	3/4	1/2	YD1523C5012	Y1523C5012
		1-1/4	1	YD1523C5002	Y1523C5002
	1	1-1/4	1	YD1523C6002	Y1523C6002
	1-1/4	1-1/4	1	YD1523C7012	Y1523C7012
High-Capacity	1-1/2	2	2	YD1523C8002	Y1523C8002
	2	2	2	YD1523C9012	Y1523C9012
Stainless Steel	1/4	1/4	1/4	D1523B2004	1523B2004
	3/8	1/2	1/2	D1523B3004	1523B3004
	1/2	1/2	1/2	D1523B4004	1523B4004
	3/4	1	1	D1523B5004	1523B5004
	1	1	1	D1523B6004	1523B6004
	1-1/2	2	2	D1523B8004	1523B8004
	2	2	2	D1523B9004	1523B9004


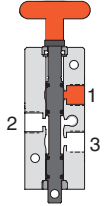
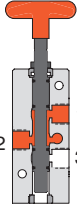

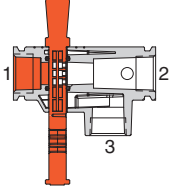
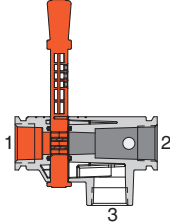

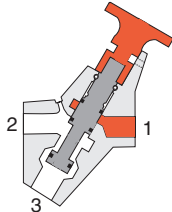
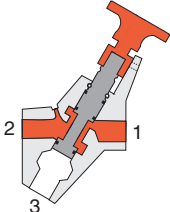

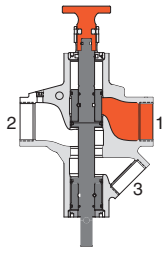
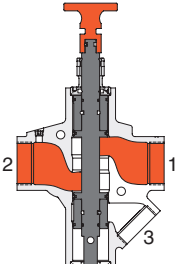

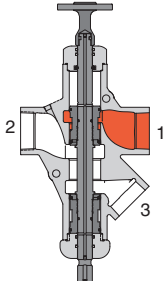
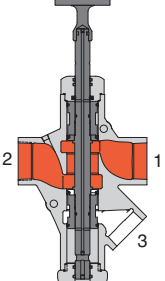
Valve Style	Port Size		Body Size	Flow C <sub>v</sub>		Weight lb (kg)
	1, 2	3		1-2	2-3	
Slim Line	1/4	3/8	3/8	1.8	1.8	8.3 (3.8)
	3/8	3/8	3/8	2.6	2.6	
Modular	1/4	3/4	3/4	3.7	7.8	1.7 (0.8)
	3/8	3/4	3/4	5.1	8.3	
	1/2	3/4	3/4	5.5	8.6	1.8 (0.8)
	3/4	3/4	3/4	5.6	8.1	
Classic	3/8	3/4	1/2	4.7	3.6	2.0 (0.9)
	1/2	3/4	1/2	7.1	4.0	
	3/4	3/4	1/2	8.3	4.1	
		1-1/4	1	13	9.0	
	1	1-1/4	1	17	9.5	3.0 (1.4)
	1-1/4	1-1/4	1	19	9.7	
High-Capacity	1-1/2	2	2	36	51	8.3 (3.7)
	2	2	2	40	52	
Stainless Steel	1/4	1/4	1/4	2.1	2.1	3.8 (1.7)
	3/8	1/2	1/2	5.8	6.2	6.0 (2.7)
	1/2	1/2	1/2	5.8	6.2	
	3/4	1	1	14.3	17	13.0 (5.9)
	1	1	1	14.3	17	
	1-1/2	2	2	39	45	35.0 (15.9)
	2	2	2	39	45	

### Valve Closed

With a short push of the red handle inward, the flow of supply air is blocked and downstream air is exhausted via the exhaust port at the bottom of the valve. The L-O-X® valve should be padlocked in this position to prevent the handle from being pulled outward inadvertently where potential for human injury exists or while servicing machinery.

### Valve Open

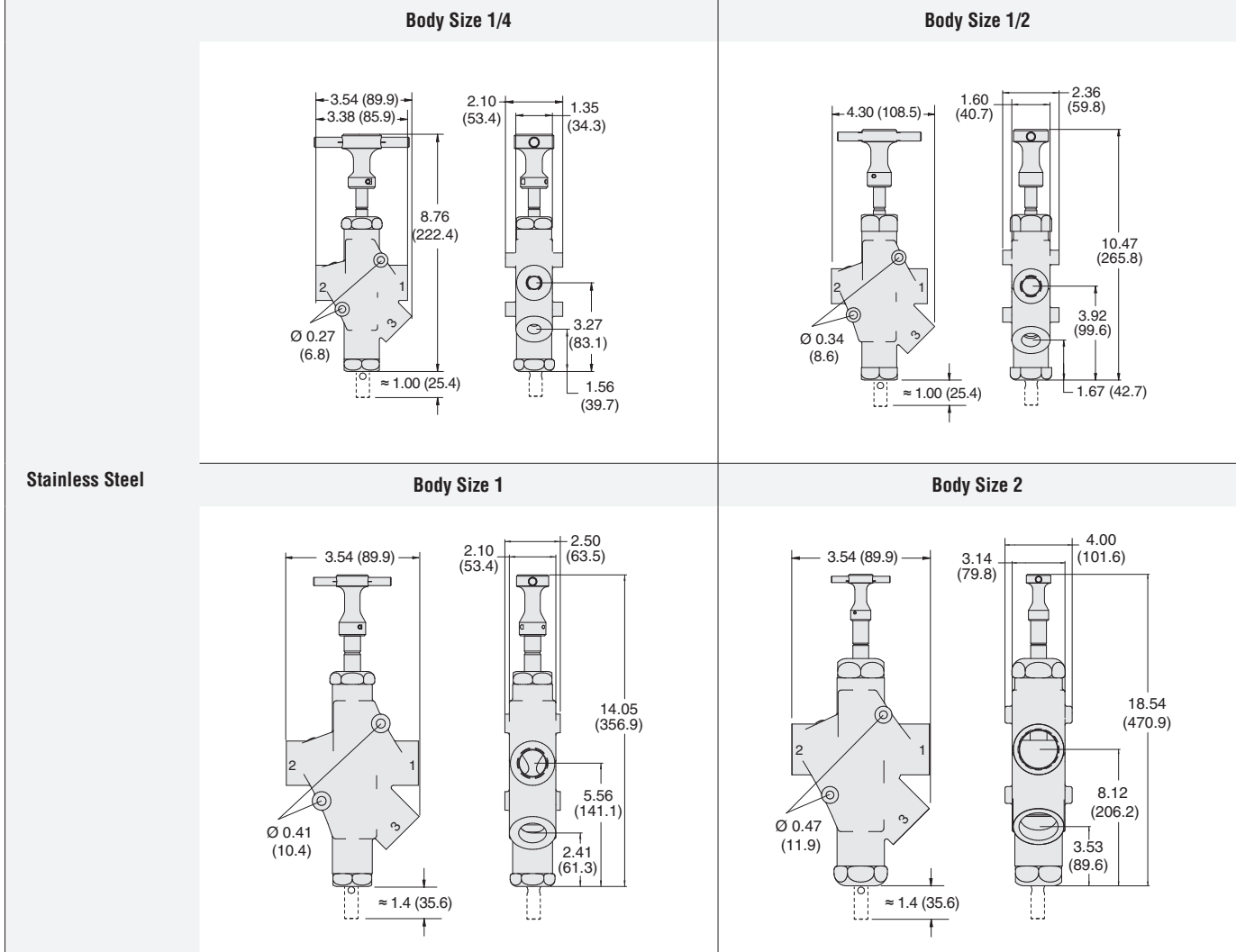
When the red handle is pulled out, supply air flows freely from inlet to outlet and flow to exhaust is blocked. A detent keeps the handle in the open position. The handle is not designed to be locked in this position, thereby providing for ready shut-off when necessary.

	Valve Style	Valve Closed	Valve Open
Slim Line			
Modular			
Classic			
High-Capacity			
Stainless Steel			

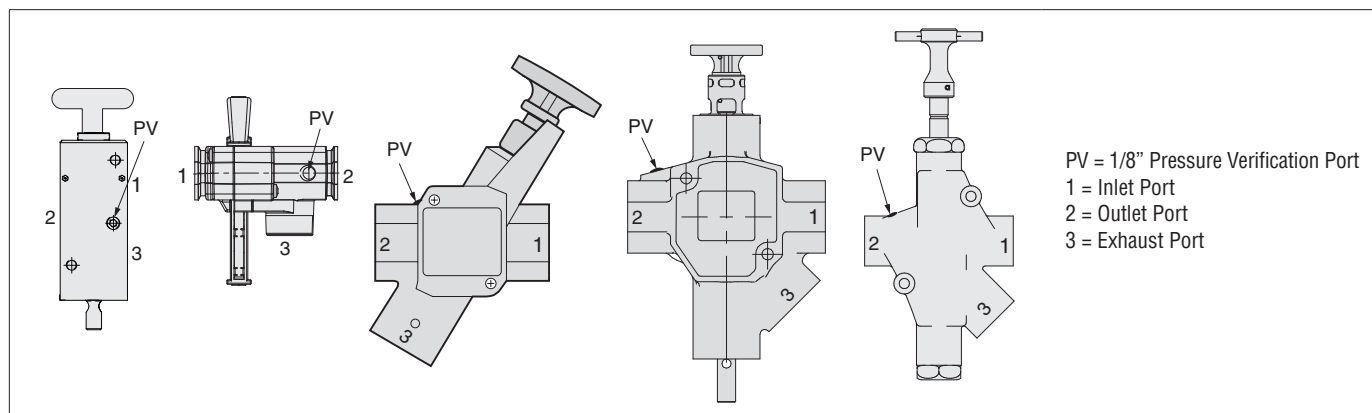
# Valve Technical Data

DIMENSIONS		Inches (mm)
Slim Line	<p>Technical drawings of the Slim Line valve. Dimensions include: 2.15 (54.6), Ø0.34 (8.6), 2.25 (57.2), 0.81 (20.6), Ø0.28 (7.1), 7.08 (179.8), 4.56 (115.8), 0.99 (25.1), 3.00 (76.2), 0.34 (8.6), 1.25 (31.8), 1.92 (48.8), 1.50 (38.1), 1.53 (38.9), and 1.00 (25.4).</p>	
Modular	<p>Technical drawings of the Modular valve. Dimensions include: 4.01 (101.9), 2.90 (73.7), 1.33 (33.8), 4.05 (102.9), 2.15 (54.6), 0.80 (20.3), 3.14 (79.8), and Ø 0.15 (3.8).</p>	
Classic	Body Size 1/2	Body Size 1
	<p>Technical drawings of the Classic valve for Body Size 1/2 and Body Size 1. Dimensions for Body Size 1/2 include: 0.43 (11), 1.56 (40), 1.32 (34), 8.96 (228), 2.21 (56), Ø 0.34 (8), 4.24 (108), 6.61 (168), 2.00 (51), and 3.00 (76). Dimensions for Body Size 1 include: 0.43 (11), 1.83 (47), 1.74 (44), 10.76 (273), 2.74 (70), Ø 0.34 (8), 5.38 (137), 7.72 (196), 3.75 (95), and 2.25 (57).</p>	
High-Capacity	<p>Technical drawings of the High-Capacity valve. Dimensions include: 8.20 (208.3), 1.87 (47.5), 14.82 (376.4), 1.58 (40.1), 0.78 (19.3), Ø 0.47 (11.9), 0.86 (21.8), 1.69 (42.9), and 3.00 (76.2).</p>	
<p>For additional information, and to assist you with piping and connectivity designs, our products are available in downloadable 2D drawings and 3D CAD models in a wide range of options including native formats, visit <a href="http://www.rosscontrols.com">www.rosscontrols.com</a>.</p>		

**DIMENSIONS** Inches (mm)

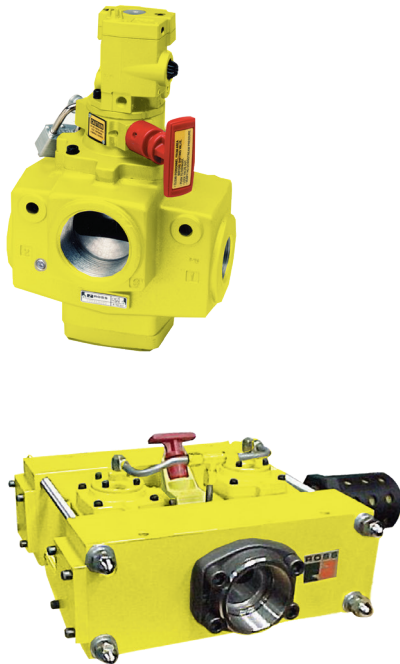


For additional information, and to assist you with piping and connectivity designs, our products are available in downloadable 2D drawings and 3D CAD models in a wide range of options including native formats, visit [www.rosscontrols.com](http://www.rosscontrols.com).



# Valves with Manual Lockout L-O-X® Control 27 Series

## Product Overview



### Energy Isolation Safety Function

The **Lockout L-O-X®** valve is used to block the supply and remove the downstream pressure from the circuit or machine and allow the employee to lockout the pneumatic energy for safe machine access. The shut-off function of the solenoid pilot controlled L-O-X® valve is the same as that of the manual L-O-X® valves.

Valve Schematics		
Body Size	Solenoid Manual Lockout Controlled	Manual Lockout Controlled
3/8 thru 2		
3		

The solenoid pilot and manual lockout controlled valve allows the air supply to be turned on or off by remote electrical control whenever the L-O-X® handle is in the outward position. Air flows only if the L-O-X® handle is outward and the solenoid pilot is energized. When the L-O-X® handle is pushed in, air will not flow regardless of the pilot being energized or not.

Because of the poppet construction of the main valve body, air pressure provides the forces both to open the valve and to close it. These are large forces so that quick response is ensured even after the valve has been on standby for a long time.

## VALVE FEATURES

### Poppet Design

Dirt tolerant, wear compensating for quick response and high flow capacity

### Manual Lockout Control

Operated like the manual lockout L-O-X® valve, the position of the red handle indicates instantaneous full flow pressurizing or exhausting capability

### Solenoid Pilot

Allows the air supply to be turned on or off by remote electrical control when valve is not in the lockout position

### Quick Energy Dump

Full size exhaust ports (equal to or larger than supply) provide rapid exhaust of downstream air and are threaded for silencers or remote exhaust lines

### Locking Protection

Design only allows the valve to be lockable in the OFF position

### PTFE Seals

Fluorocarbon slipper seals for easy shifting, even after long periods of inactivity

### Visible Pressure Indication Option

Includes integrated sensor port for pressure verification with either a visual pop-up indicator or electrical pressure switch

**NOTE: Per specifications and regulations, these products are defined as energy isolation devices, NOT AS EMERGENCY STOP DEVICES.**



## STANDARD SPECIFICATIONS

<b>GENERAL</b>	Function		Energy Isolation	
	Construction Design		3/2 Valve; Poppet	
	Actuation		Electrical - Manual Pneumatic - Manual	
	Mounting	Type	Inline	
		Orientation	Any, preferably vertical; easy access to to the handle	
	Connection		Threaded; G, NPT	
Minimum Operation Frequency		Once per month, to ensure proper function		
<b>OPERATING CONDITIONS</b>	Temperature	Solenoid Manual Lockout Controlled Valves	Ambient	40° to 120°F (4° to 50°C)
			Media	40° to 175°F (4° to 80°C)
		Manual Lockout Controlled Valves	Ambient	40° to 175°F (4° to 80°C)
			Media	
	Flow Media		Filtered air	
	Operating Pressure	Valve Body Size	3/8 through 1-1/2	15 to 150 psig (1 to 10 bar)
2 & 3			30 to 150 psig (2 to 10 bar)	
External Pilot Supply (solenoid and manual lockout controlled only)			Must be equal to or greater than inlet pressure	
<b>ELECTRICAL DATA FOR SOLENOID PILOT</b>	Solenoids		AC or DC power; rated for continuous duty	
	Operating Voltage		24 volts DC 110-120 volts AC, 50/60 Hz 230 volts AC, 50/60 Hz	
	Power Consumption (each solenoid)		24 V DC – 14 watts 110-120 V AC, 230 V AC – 87 VA inrush, 30 VA holding	
<b>CONSTRUCTION MATERIAL</b>	Valve Body		Cast Aluminum	
	Poppet		Acetal and Stainless Steel	
	Spool (Lockout Valve)		Stainless Steel	
	Seals	Valve Body Size	3/8 through 2	Buna-N
3			Fluorocarbon	
<b>SAFETY DATA</b>	Safety Integrity Level (SIL)	Certified by TÜV Rheinland in accordance to IEC 61508 and IEC 61511 safety integrity level 2 (SIL 2) and EN ISO 13849-1, PL c (with application specific diagnosis) in singular application with HFT = 0 and SIL 3 and PL e in redundant application with HFT <sub>≥1</sub> , for details see certificate.		

**IMPORTANT NOTE:** Please read carefully and thoroughly all of the **CAUTIONS, WARNINGS** on the inside back cover.

*If a system requires gradual buildup of downstream pressure, see Manual L-O-X® valves with EEZ-ON® operation.*

## PRODUCT CREDENTIALS

Safety Category	EAC Conformity Declaration	ISO Standard	CSA Certificate of Compliance	Canadian Registration Number (CRN)
		ISO 13849-1:2015	 Solenoid Pilot Valves	Available for appropriately tested valves

# Ordering Information

## SOLENOID AND MANUAL LOCKOUT CONTROLLED VALVES

## 3-Way 2-Position Valves

Port Size		Body Size	Valve Model Number					
			G Thread			NPT Thread		
In-Out	Exhaust		24 V DC	110-120 V AC	230 V AC	24 V DC	110-120 V AC	230 V AC
1/4	1/2	3/8	YD2773A2072W	YD2773A2072Z	YD2773A2072Y	Y2773A2072W	Y2773A2072Z	Y2773A2072Y
3/8	1/2	3/8	YD2773A3072W	YD2773A3072Z	YD2773A3072Y	Y2773A3072W	Y2773A3072Z	Y2773A3072Y
1/2	1/2	3/8	YD2773A4082W	YD2773A4082Z	YD2773A4082Y	Y2773A4082W	Y2773A4082Z	Y2773A4082Y
	1	3/4	YD2773A4072W	YD2773A4072Z	YD2773A4072Y	Y2773A4072W	Y2773A4072Z	Y2773A4072Y
3/4	1	3/4	YD2773A5072W	YD2773A5072Z	YD2773A5072Y	Y2773A5072W	Y2773A5072Z	Y2773A5072Y
1	1	3/4	YD2773A6082W	YD2773A6082Z	YD2773A6082Y	Y2773A6082W	Y2773A6082Z	Y2773A6082Y
	1-1/2	1-1/4	YD2773A6072W	YD2773A6072Z	YD2773A6072Y	Y2773A6072W	Y2773A6072Z	Y2773A6072Y
1-1/4	1-1/2	1-1/4	YD2773A7072W	YD2773A7072Z	YD2773A7072Y	Y2773A7072W	Y2773A7072Z	Y2773A7072Y
1-1/2	1-1/2	1-1/4	YD2773A8082W	YD2773A8082Z	YD2773A8082Y	Y2773A8082W	Y2773A8082Z	Y2773A8082Y
	2-1/2	2	YD2773A8072W	YD2773A8072Z	YD2773A8072Y	Y2773A8072W	Y2773A8072Z	Y2773A8072Y
2	2-1/2	2	YD2773A9072W	YD2773A9072Z	YD2773A9072Y	Y2773A9072W	Y2773A9072Z	Y2773A9072Y
2-1/2	2-1/2	2	YD2773A9082W	YD2773A9082Z	YD2773A9082Y	Y2773A9082W	Y2773A9082Z	Y2773A9082Y
3	2-1/2	3	–	–	–	Y3900A0896W	Y3900A0896Z	Y3900A0896Y

For other voltages, consult ROSS.

Port Size		Body Size	Flow C <sub>v</sub>		Weight lb (kg)
1, 2	3		1-2	2-3	
1/4	1/2	3/8	2.5	3.1	3.5 (1.6)
3/8	1/2	3/8	3.6	5.3	
1/2	1/2	3/8	3.3	5.3	4.3 (1.9)
	1	3/4	6.3	9.2	
3/4	1	3/4	7.7	11	
1	1	3/4	8.0	12	8.0 (3.6)
	1-1/2	1-1/4	23	34	
1-1/4	1-1/2	1-1/4	30	32	
1-1/2	1-1/2	1-1/4	30	31	17.5 (7.9)
	2-1/2	2	68	70	
2	2-1/2	2	70	70	
2-1/2	2-1/2	2	70	71	
3	2-1/2	3	140	71	115.0 (53.0)

MANUAL LOCKOUT CONTROLLED VALVES					3-Way 2-Position Valves	
Port Size		Body Size	Valve Model Number			
In-Out	Exhaust		G Thread		NPT Thread	
1	1-1/2	1-1/4	YD2783A6006		Y2783A6006	
1-1/4	1-1/2	1-1/4	YD2783A7006		Y2783A7006	
1-1/2	1-1/2	1-1/4	YD2783A8016		Y2783A8016	
	2-1/2	2	YD2783A8006		Y2783A8006	
2	2-1/2	2	YD2783A9006		Y2783A9006	
2-1/2	2-1/2	2	YD2783A9016		Y2783A9016	
3	2-1/2	3	-		Y3900A0829	

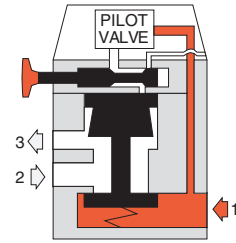
Port Size		Body Size	Flow C <sub>v</sub>		Weight lb (kg)
1, 2	3		1-2	2-3	
1	1-1/2	1-1/4	23	34	7.0 (3.2)
1-1/4	1-1/2	1-1/4	30	32	
1-1/2	1-1/2	1-1/4	30	31	
	2-1/2	2	68	70	15.3 (6.9)
2	2-1/2	2	70	70	
2-1/2	2-1/2	2	70	71	
3	2-1/2	3	140	71	115.0 (53.0)

# Valve Operation

## Solenoid and Manual Lockout Controlled Valves

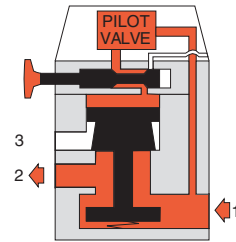
### Pilot De-energized

With the solenoid pilot de-energized (regardless of the position of the L-O-X® handle) the inlet poppet remains closed. The outlet port is connected to the exhaust port so that pressure in the downstream lines is vented to atmosphere.



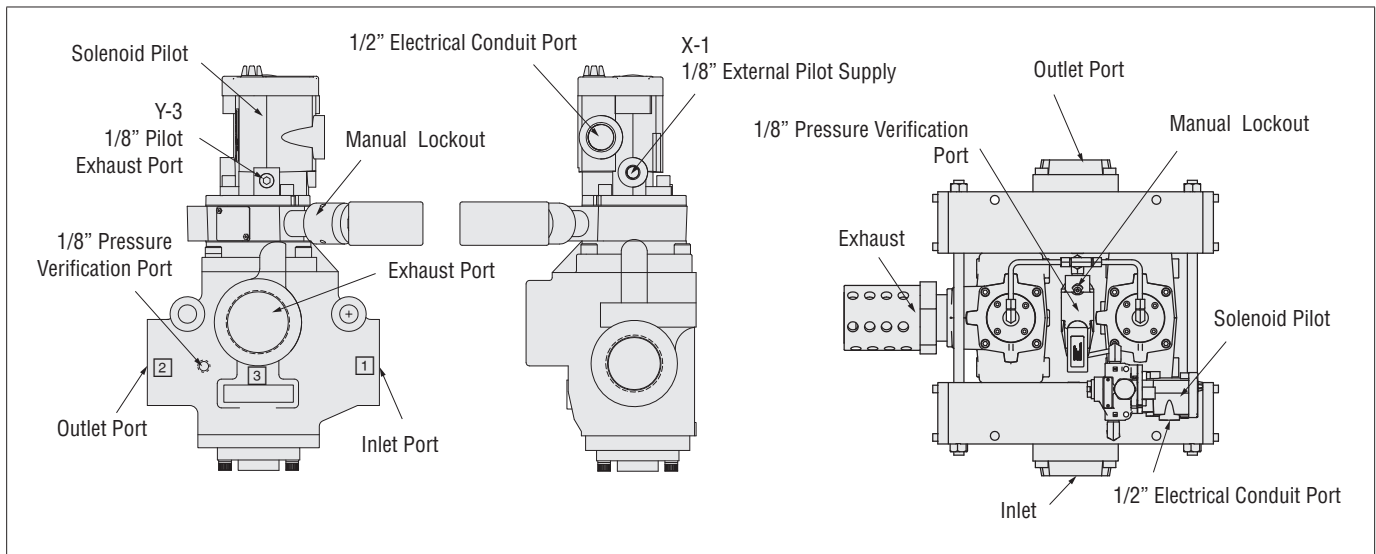
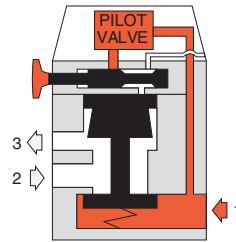
### Pilot Energized

With the solenoid pilot energized and the L-O-X® control in the open position, air can flow from inlet to outlet port. The exhaust port is closed.



### L-O-X® Valve Closed

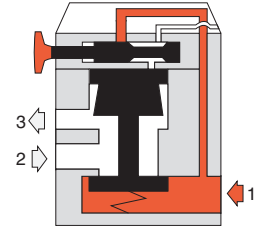
With the handle pushed inward, the L-O-X® control is closed, and air to the valve piston is cut off. This allows the inlet poppet to be closed by its spring and the pressure of the inlet air. The outlet is connected to exhaust so downstream pressure is vented.



## Manual Lockout Controlled Valves

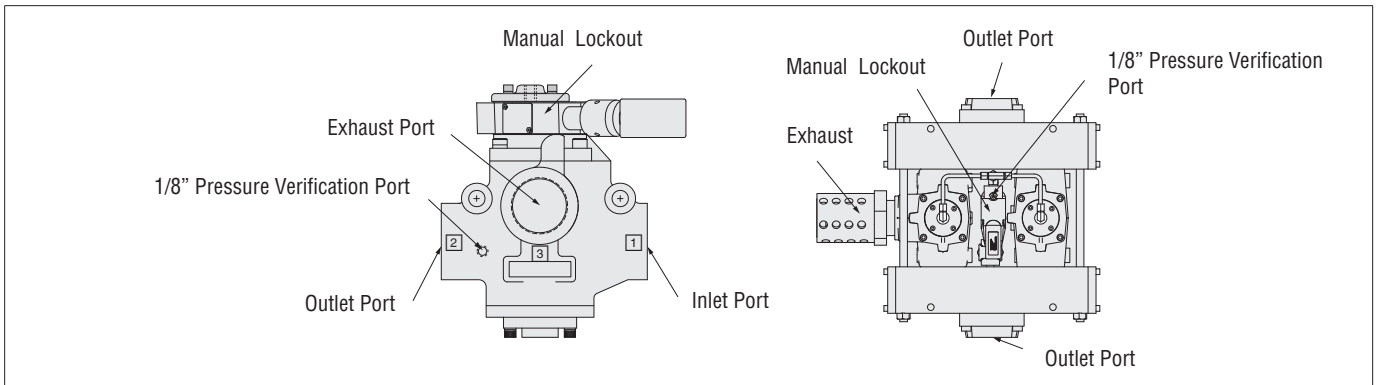
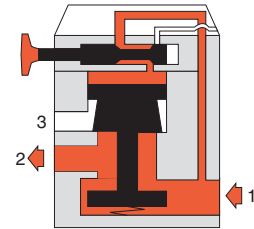
### Valve Closed

With a short push of the red handle inward the flow of supply air is blocked and downstream air is exhausted via the exhaust port. Air pressure on the inlet and exhaust poppets produces a large closing force. The L-O-X® valve should be padlocked in this position to prevent the handle from being pulled outward inadvertently when potential for human injury exists or servicing machinery.



### Valve Open

With the red handle pulled out, pilot air flows to the top of the actuating piston, causing it to open the inlet poppet. Supply air then flows freely from inlet to outlet, and the exhaust port is blocked. A detent keeps the L-O-X® handle in the open position. The handle is designed not to be locked in the open position, thereby allowing for quick shut-off when necessary.



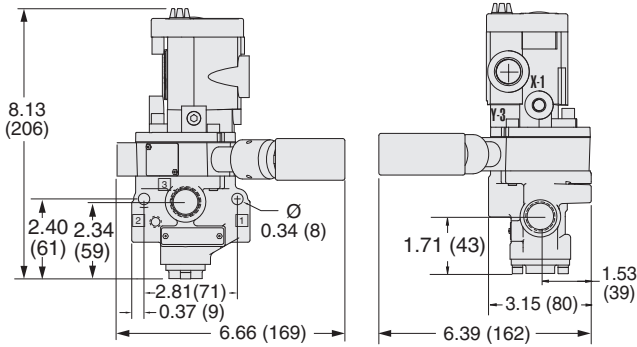
# Valve Technical Data

## Solenoid and Manual Lockout Controlled Valves

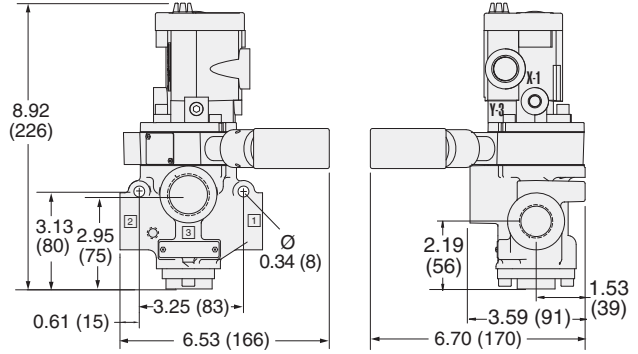
### DIMENSIONS

Inches (mm)

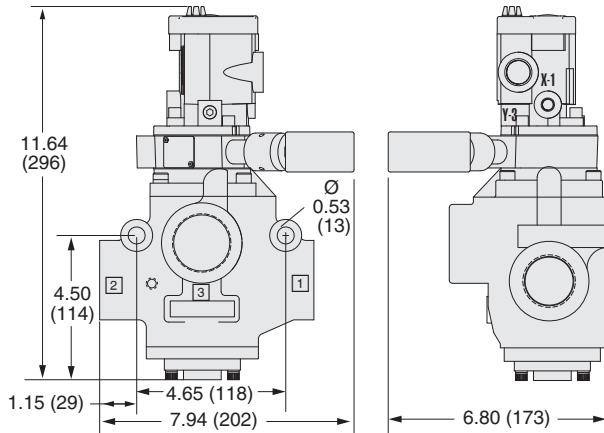
Body Size 3/8



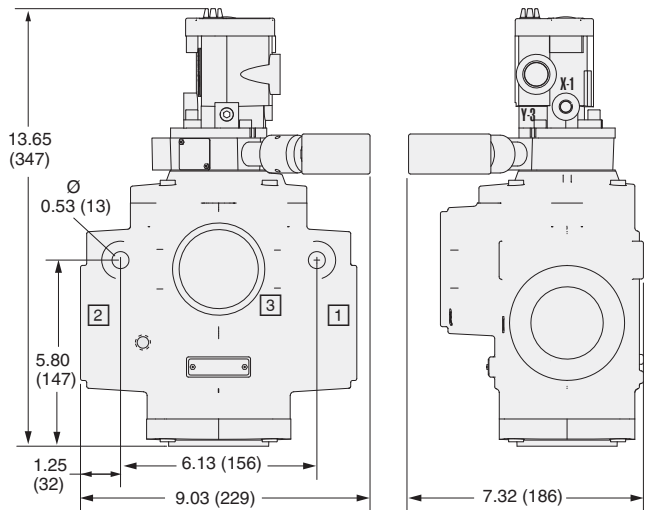
Body Size 3/4



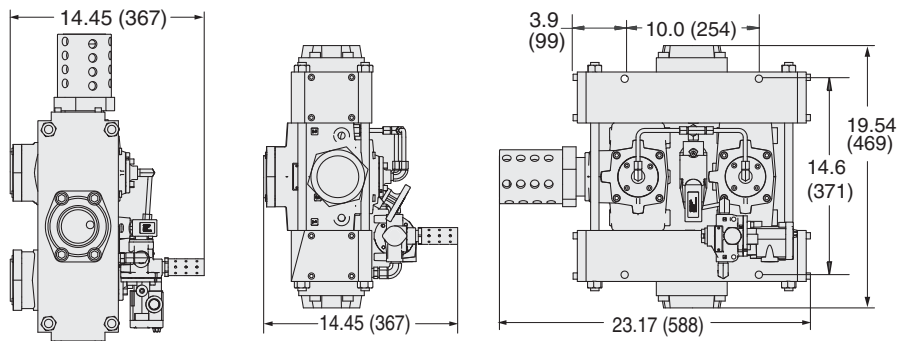
Body Size 1-1/4



Body Size 2



Body Size 3



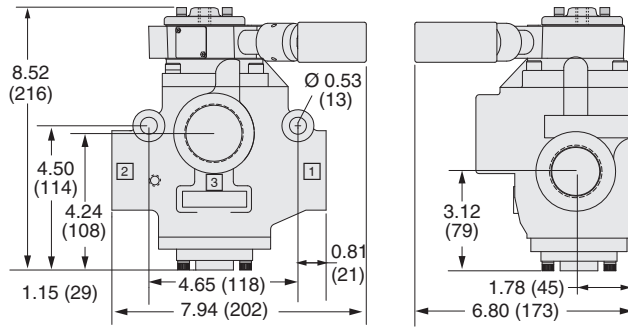
For additional information, and to assist you with piping and connectivity designs, our products are available in downloadable 2D drawings and 3D CAD models in a wide range of options including native formats, visit [www.rosscontrols.com](http://www.rosscontrols.com).

## Manual Lockout Controlled Valves

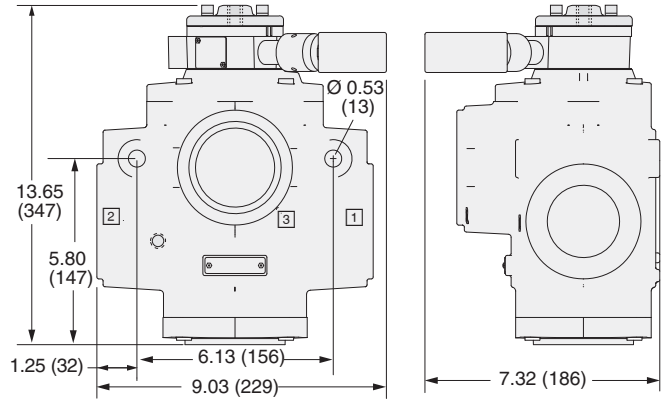
### DIMENSIONS

Inches (mm)

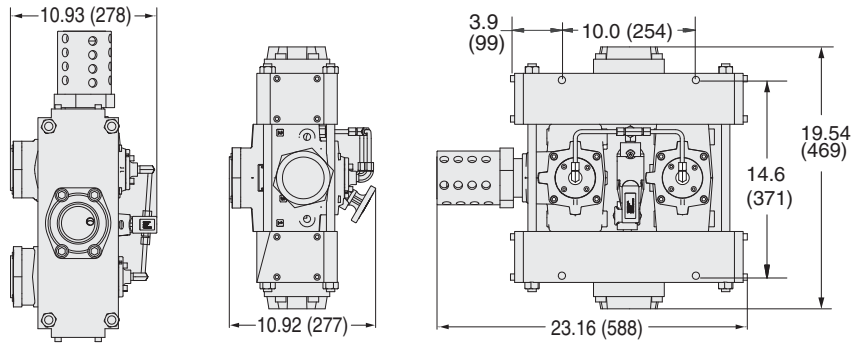
Body Size 1-1/4



Body Size 2



Body Size 3



For additional information, and to assist you with piping and connectivity designs, our products are available in downloadable 2D drawings and 3D CAD models in a wide range of options including native formats, visit [www.rosscontrols.com](http://www.rosscontrols.com).

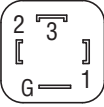
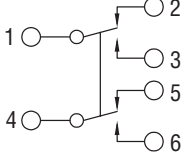
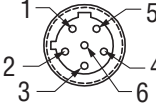
# Accessories & Options

## ENERGY RELEASE VERIFICATION

Visual Pressure Indicator	Verification Type	Valve Type	Indicator Type	Model Number	Port Thread
	Pneumatic	Lockout L-O-X®	Visual Pop-up Pin	988A30	1/8 NPT
		Stainless Steel L-O-X®	Visual Pop-up	1155H30	

Pressure Switches	Verification Type	Valve Type	Connector Type	Model Number	Factory Preset psi (bar)	Port Thread
	Electrical	Lockout L-O-X®	DIN EN 175301-803 Form A	586A86	5 (0.3) falling	1/8 NPT
		Stainless Steel L-O-X®	M12	1162A30		

### Connectors Pinout

DIN EN 175301-803 Form A	M12	
 <p>1 - Common 2 - Normally Closed 3 - Normally Open G - Ground</p>	 <p>1 - Circuit 1, Red/White 2 - All Red 3 - Green 4 - Circuit 2, Red/Yellow 5 - Red/Black 6 - Red Blue</p>	 <p>1 - Common 2 - Normally Closed 3 - Normally Open 4 - Common 5 - Normally Closed 6 - Normally Open</p>



## SILENCERS

Silencers	Valve Model	Material	Port Size	Thread Type	Model Number		Flow Avg. C <sub>v</sub>	Pressure Range psig (bar)
					R/Rp Thread	NPT Thread		
					Lockout L-O-X®	Aluminum		
1/4	Male	D5500A2003	5500A2003	2.1				
3/8	Male	D5500A3013	5500A3013	2.7				
		D5500A3003	5500A3003	4.3				
1/2	Male	D5500A4003	5500A4003	4.7				
3/4	Male	D5500A5013	5500A5013	5.1				
		D5500A5003	5500A5003	12				
1	Male	D5500A6003	5500A6003	15				
1-1/4	Male	D5500A7013	5500A7013	16				
	Female	D5500A7001	5500A7001	24				
1-1/2	Female	D5500A8001	5500A8001	30				
2	Female	D5500B9001	5500B9001	34				
2-1/2	Female	D5500A9002	5500A9002	104				
Stainless Steel Lockout L-O-X®	Stainless Steel	1/4	Male	D5500B2004	5500B2004	1.4	0-175 (0-12.3) maximum	
		1/2	Male	D5500B4004	5500B4004	3.0		
		1	Male	D5500B6004	5500B6004	10		
		2	Male	D5500A9004	5500A9004	28		
316 Stainless Steel Sintered Element	316 Stainless Steel Sintered Element	1/4	Male	Model Number		Flow Avg. C <sub>v</sub>	0-125 (0-8.6)	
				G Thread	NPT Thread			
		1/2	Male	D5500A2005	5500A2005	1.5		
		1	Male	D5500A4005	5500A4005	3.5		
				D5500A6005	5500A6005	5.7		

## LOCKOUT DEVICE

Lockout Hasp	Valve Model Use	Model Number
	Lockout L-O-X® Classic Style	356A30

## SOLENOID PILOT OPTIONS

Indicator Light Kits	Kit Number		
	24 V DC	110-120 V AC, 50-60 Hz	230 V AC, 50-60 Hz
	862K87-W	862K87-Z	862K87-Y