



2

Solenoid - Spring - 5/2

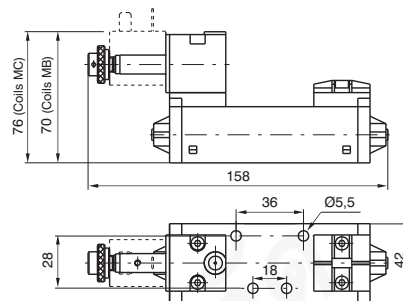
Ordering code

1011.52.3.9.M

M MECHANICAL CODE
See Valves Series 300 CNOMO



Weight gr. 290
Minimum operating pressure 2,5 bar



Operational characteristic

Fluid	Max working pressure (bar)	Temperature °C	Flow rate at 6 bar with Δp=1 (NI/min)
Filtered and lubricated air	10	-5 - +50	900

Solenoid - Differential - 5/2

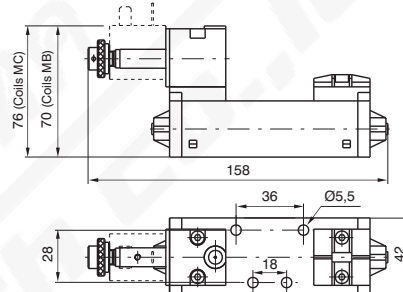
Ordering code

1011.52.3.6.M

M MECHANICAL CODE
See Valves Series 300 CNOMO



Weight gr. 290
Minimum operating pressure 2 bar



Operational characteristic

Fluid	Max working pressure (bar)	Temperature °C	Flow rate at 6 bar with Δp=1 (NI/min)
Filtered and lubricated air	10	-5 - +50	900

Solenoid - Solenoid - 5/2

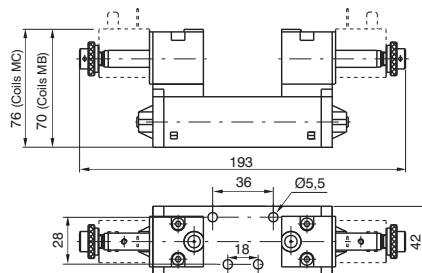
Ordering code

1011.52.3.5.M

M MECHANICAL CODE
See Valves Series 300 CNOMO



Weight gr. 350
Minimum operating pressure 1,5 bar



Operational characteristic

Fluid	Max working pressure (bar)	Temperature °C	Flow rate at 6 bar with Δp=1 (NI/min)
Filtered and lubricated air	10	-5 - +50	900

Solenoid - Solenoid - 5/3

Ordering code

1011.53.F.3.5.M

FUNCTION

31 = Closed centres

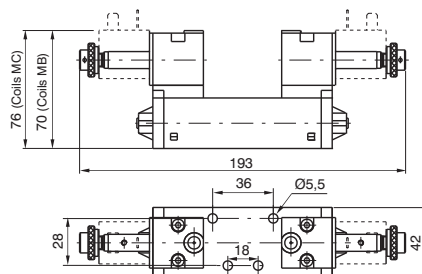
32 = Open centres

33 = Pressured centres

M MECHANICAL CODE
See Valves Series 300 CNOMO



Weight gr. 350
Minimum operating pressure 3 bar



Operational characteristic

Fluid	Max working pressure (bar)	Temperature °C	Flow rate at 6 bar with Δp=1 (NI/min)
Filtered and lubricated air	10	-5 - +50	900