

### General

Profiled tube has two "T" slots on the three sides hosting sensors 1580.\_, MRS.\_, MHS.\_ without adaptors.

### Construction characteristics

End plates	Series 1386 - 1388: High resistant thermoplastic material	Series 1396 - 1398: Die-casting aluminium
Rod	C43 chromed steel or stainless steel	
Barrel	anodised aluminium alloy	
Rod-guide bushing	self-lubricating sintered bronze	
Half-Piston	Acetylic resin	
Seal	Standard: NBR Oil resistant rubber, PUR Piston rod seals (PUR seals available upon request)	
Cushion adjusting screws	Brass	

### Technical characteristics

Fluid	filtered and preferably lubricated air or not (If lubricated the lubrication must be continuous)
Max. pressure	10 bar
Operating temperature	-5°C - +70°C with standard seals -30°C - +80°C with PUR seals
Bore	Ø 32 - 40 - 50 - 63 - 80 - 100
Cushioning lenght	mm 27 - 31 - 31 - 37 - 40 - 44

Please follow the suggestions below to ensure a long life for these cylinders:

- use clean and lubricated air
- correct alignment during assembly with regard to the applied load so as to avoid radial components or bending the rod.
- avoid high speeds together with long strokes and heavy loads: this would produce kinetic energy which the cylinder cannot absorb, especially if used as a limit stop (in this case use mechanical stop device)
- evaluate the environmental characteristics of cylinder used (high temperature, hard atmosphere, dust, humidity etc.)

**Please note: air must be dried for applications with lower temperature.**

Use hydraulic oils H class (ISO Vg32) for correct continued lubrication.

Our Technical Department will be glad to help.

#### Standard strokes (for all diameters)

from 0 to 150, every 25 mm
from 150 to 500, every 50 mm
from 500 to 1000, every 100

#### Stroke tolerance (ISO 15552)

Bore	Stroke	Tolerance
32 - 40 - 50	up to 500	+2 0
	over 500 up to 1000	+3.2 0
63 - 80 - 100	up to 500	+2.5 0
	over 500 up to 1000	+4 0

**Basic version "01"**

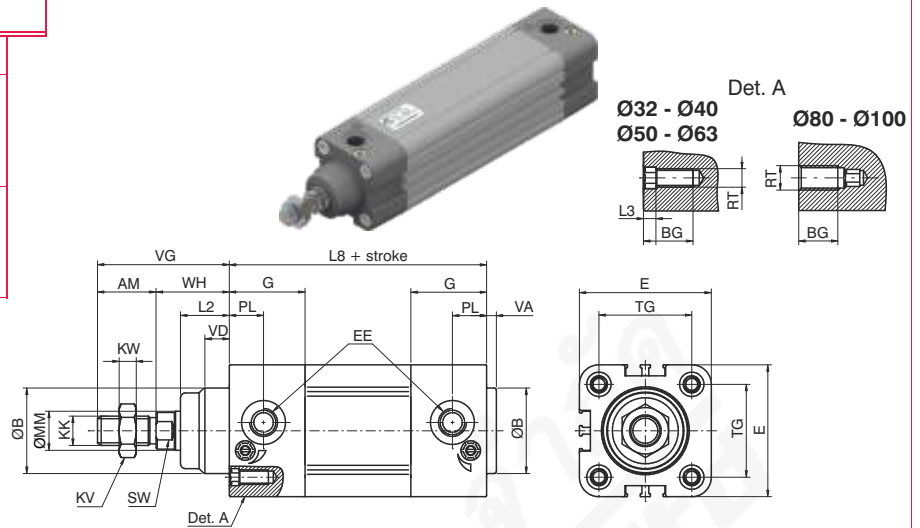
Ordering code

**TECHNOPOLYMER COVERS**

- 1386.Ø.stroke.01 Magnetic chromed rod
- 1387.Ø.stroke.01 Magnetic stainless steel rod
- 1388.Ø.stroke.01 Non magnetic

**ALUMINIUM COVERS**

- 1396.Ø.stroke.01 Magnetic chromed rod
- 1397.Ø.stroke.01 Magnetic stainless steel rod
- 1398.Ø.stroke.01 Non magnetic



**Push/pull version "02"**

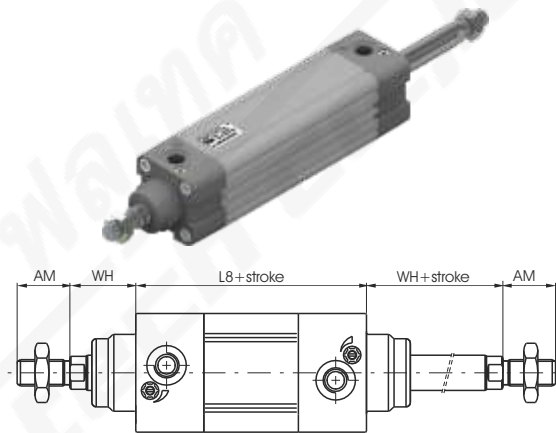
Ordering code

**TECHNOPOLYMER COVERS**

- 1386.Ø.stroke.02 Magnetic chromed rod
- 1387.Ø.stroke.02 Magnetic stainless steel rod
- 1388.Ø.stroke.02 Non magnetic

**ALUMINIUM COVERS**

- 1396.Ø.stroke.02 Magnetic chromed rod
- 1397.Ø.stroke.02 Magnetic stainless steel rod
- 1398.Ø.stroke.02 Non magnetic



**Tandem push with common rod "G"**

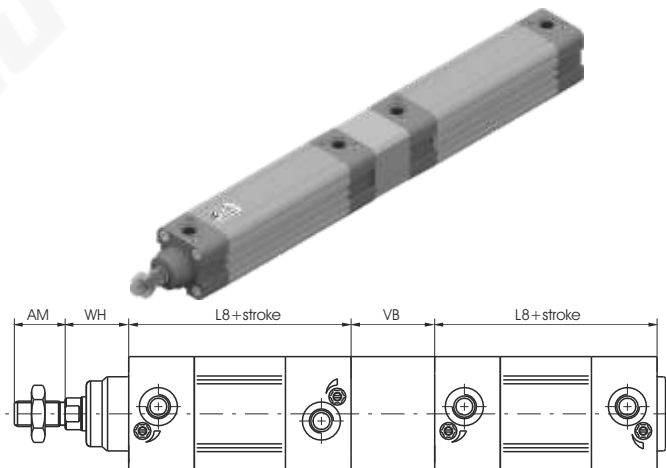
Ordering code

**TECHNOPOLYMER COVERS**

- 1386.Ø.stroke.G Magnetic chromed rod
- 1387.Ø.stroke.G Magnetic stainless steel rod
- 1388.Ø.stroke.G Non magnetic

**ALUMINIUM COVERS**

- 1396.Ø.stroke.G Magnetic chromed rod
- 1397.Ø.stroke.G Magnetic stainless steel rod
- 1398.Ø.stroke.G Non magnetic



**Tandem push with independent rods "F"**

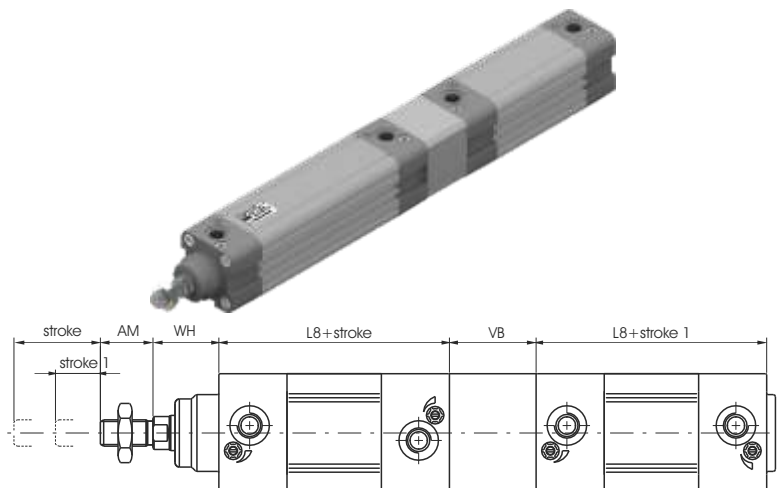
Ordering code

**TECHNOPOLYMER COVERS**

- 1386.Ø.stroke.stroke1.F Magnetic chromed rod
- 1387.Ø.stroke.stroke1.F Magnetic stainless steel rod
- 1388.Ø.stroke.stroke1.F Non magnetic

**ALUMINIUM COVERS**

- 1396.Ø.stroke.stroke1.F Magnetic chromed rod
- 1397.Ø.stroke.stroke1.F Magnetic stainless steel rod
- 1398.Ø.stroke.stroke1.F Non magnetic



**Opposed tandem with common rod "D"**

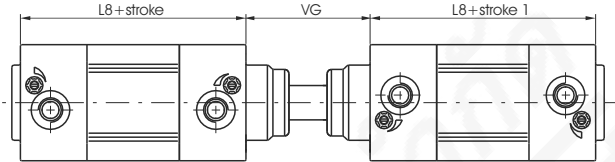
Ordering code

**TECHNOPOLYMER COVERS**

- 1386.Ø.stroke.stroke1.D Magnetic chromed rod
- 1387.Ø.stroke.stroke1.D Magnetic stainless steel rod
- 1388.Ø.stroke.stroke1.D Non magnetic

**ALUMINIUM COVERS**

- 1396.Ø.stroke.stroke1.D Magnetic chromed rod
- 1397.Ø.stroke.stroke1.D Magnetic stainless steel rod
- 1398.Ø.stroke.stroke1.D Non magnetic



**Tandem with opposed rods "E"**

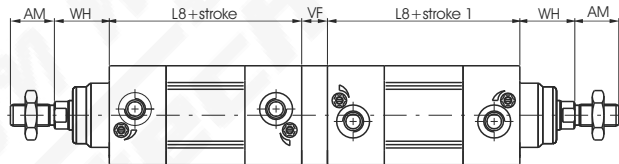
Ordering code

**TECHNOPOLYMER COVERS**

- 1386.Ø.stroke.stroke1.E Magnetic chromed rod
- 1387.Ø.stroke.stroke1.E Magnetic stainless steel rod
- 1388.Ø.stroke.stroke1.E Non magnetic

**ALUMINIUM COVERS**

- 1396.Ø.stroke.stroke1.E Magnetic chromed rod
- 1397.Ø.stroke.stroke1.E Magnetic stainless steel rod
- 1398.Ø.stroke.stroke1.E Non magnetic



**Variants**

Version with PUR seals

Ordering code

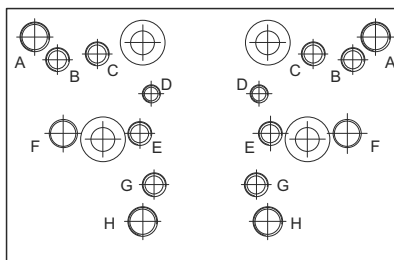
- 1386.(87.88) Ø.stroke.\_ \_ P
- 1396.(97.98) Ø.stroke.\_ \_ P

**Table of dimensions**

Bore			32	40	50	63	80	100
AM			22	24	32	32	40	40
B (d 11)			30	35	40	45	45	55
BG			16	16	18	18	16	16
E			46	54	65	77,5	95,5	115,5
EE			G 1/8"	G 1/4"	G 1/4"	G 3/8"	G 3/8"	G 1/2"
G			29	31	33	36	40	44
KK			M10X1,25	M12X1,25	M16x1,5	M16x1,5	M20x1,5	M20x1,5
KV			17	19	24	24	30	30
KW			6	7	8	8	9	9
L2			16	20	25	25	32	35
L3			4	4	5	5	/	/
L8			94	105	106	121	128	138
MM			12	16	20	20	25	25
PL			13	14	14	16	16	18
RT			M6	M6	M8	M8	M10	M10
SW			10	13	17	17	22	22
TG			32,5	38	46,5	56,5	72	89
VA			4	4	4	4	4	4
VB			33	41	51	51	65	71
VD			8	10	12	12	15	16
VF			12	12	16	16	20	20
VG			48	54	69	69	86	91
WH			26	30	37	37	46	51
Weight	Aluminium covers	stroke 0	550	690	1200	1590	2500	3670
gr.		every 10 mm	29	40	57	66	96	112
Weight	Technopolymer covers	stroke 0	470	590	1020	1320	2090	3010
gr.		every 10 mm	29	40	57	66	96	112

**Distributor supports**

This accessory permits to mount a valve or an electrovalve on a side of the cylinder. The plate can be fitted on the cylinder profiled barrel, and, on it, can be mounted either a threaded distributor or a base on which can be mounted an ISO distributor. Once installed the connections must be done with fittings and pipes. All of the threaded holes on the support plate are dedicated to different valves series as per attached drawing.

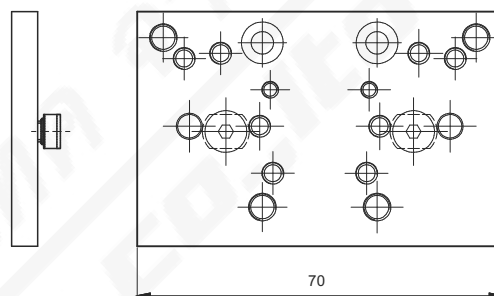
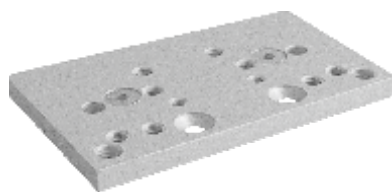


Fixing holes for valves series:

- A = 414/2
- B = 824
- C = 828, T488, 488, 484
- D = 2400
- E = 2600
- G = 858/2
- H = T424

Ordering code

**1386.15**



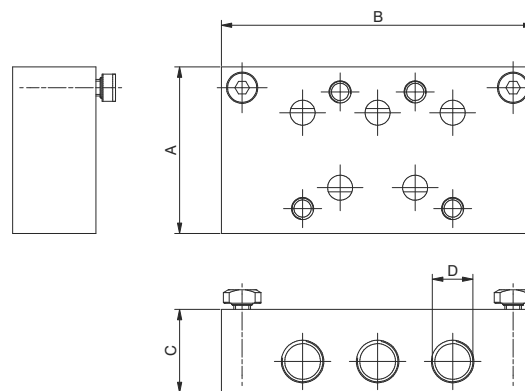
**Attention:** do not use ISO distributor for base mounting

**Bases for ISO distributors**

Ordering code

**1320.23** bases for ISO 1 electro distributor

**1320.24** bases for ISO 2 electro distributor



	Dimensions			
	A	B	C	D
bases for ISO 1 electro distributor	40	75	15	G 1/8"
bases for ISO 2 electro distributor	50	95	20	G 1/4"

