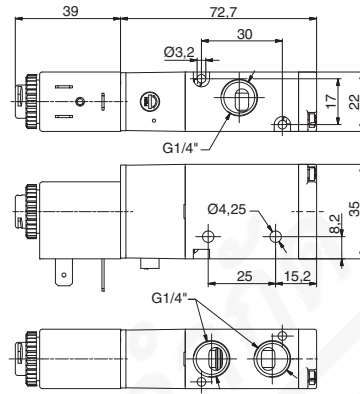


Solenoid - Spring - 3/2 (Self-feeding)

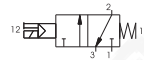
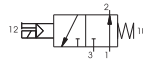
Ordering code

8884.32.F.39.V

F	FUNCTION
A=Normally Open	
C=Normally Closed	
V	VOLTAGE
F05=24 V DC	
F56=24 V (50-60 Hz)	
F57=110 V (50-60 Hz)	
F58=230V (50-60 Hz)	
F00=Without coil	



Weight gr. 210
Minimum working pressure 2 bar



Operational characteristics

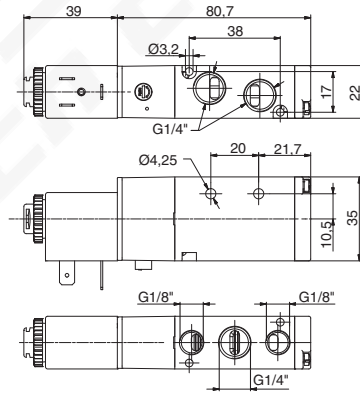
Fluid	Max working pressure (bar)	Temperature °C	Flow rate at 6 bar with $\Delta p=1$ (Nl/min)	Orifice size (mm)	Working port size
Filtered and lubricated air	8	-5 ÷ +50	890	6,5	G 1/4"

Solenoid - Spring - 5/2 (Self-feeding)

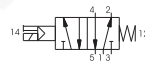
Ordering code

8884.52.00.39.V

V	VOLTAGE
F05=24 V DC	
F56=24 V (50-60 Hz)	
F57=110 V (50-60 Hz)	
F58=230V (50-60 Hz)	
F00=Without coil	



Weight gr. 220
Minimum working pressure 2 bar



Operational characteristics

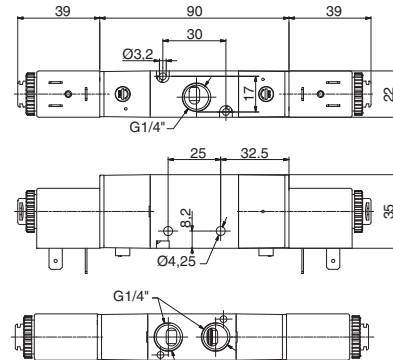
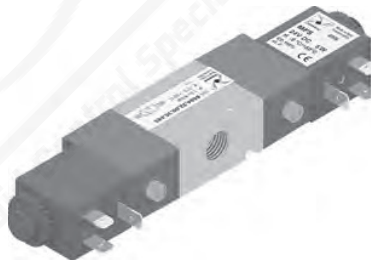
Fluid	Max working pressure (bar)	Temperature °C	Flow rate at 6 bar with $\Delta p=1$ (Nl/min)	Orifice size (mm)	Working port size
Filtered and lubricated air	8	-5 ÷ +50	890	6,5	G 1/4"

Solenoid - Solenoid - 3/2

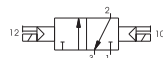
Ordering code

8884.32.00.35.V

V	VOLTAGE
F05=24 V DC	
F56=24 V (50-60 Hz)	
F57=110 V (50-60 Hz)	
F58=230V (50-60 Hz)	
F00=Without coil	



Weight gr. 310
Minimum working pressure 2 bar



Operational characteristics

Fluid	Max working pressure (bar)	Temperature °C	Flow rate at 6 bar with $\Delta p=1$ (Nl/min)	Orifice size (mm)	Working port size
Filtered and lubricated air	8	-5 ÷ +50	890	6,5	G 1/4"

2