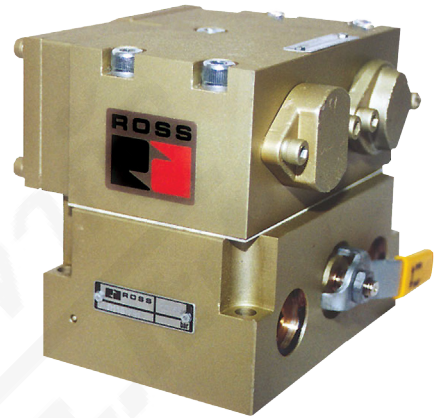


PRODUCT DATA SHEET INFORMATION



MOLD OPEN/CLOSED VALVES

4/2 Directional Control Valve Pressure Operated with Pressure Booster

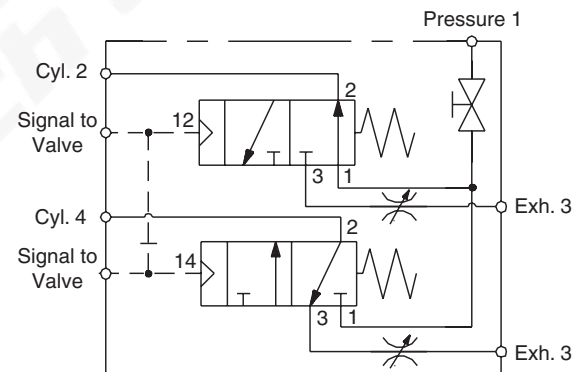
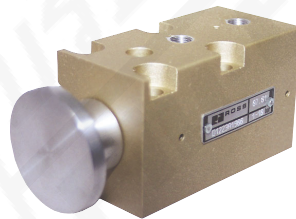


Features:

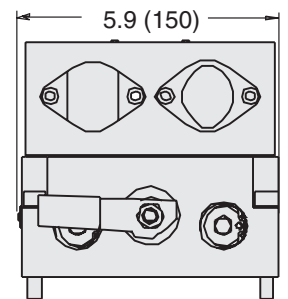
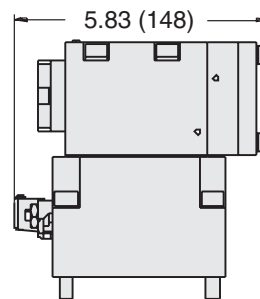
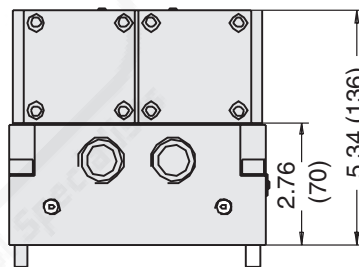
- High-speed poppet construction
- Constant repeatability
- Non-friction Viton seals on metal seats
- Non-lube
- Specialized low-wear body coating
- Blowhead compatible
- Separate Kick-Off valve available
- Built-in flow controls and inlet shut-off
- Built-in pressure boosters*
- Special base and two signal options

Model Number	D3900B0700
---------------------	-------------------

Kick-Off Valve	
Model Number	D1223A1900



Dimensions - inches (mm)



Standard Specifications:

Construction: Poppet
Ambient Temperature: 0° to 300° F (-17° to 150° C).
Media Temperature: 0° to 300° F (-17° to 150° C).
Flow Media: Filtered air.

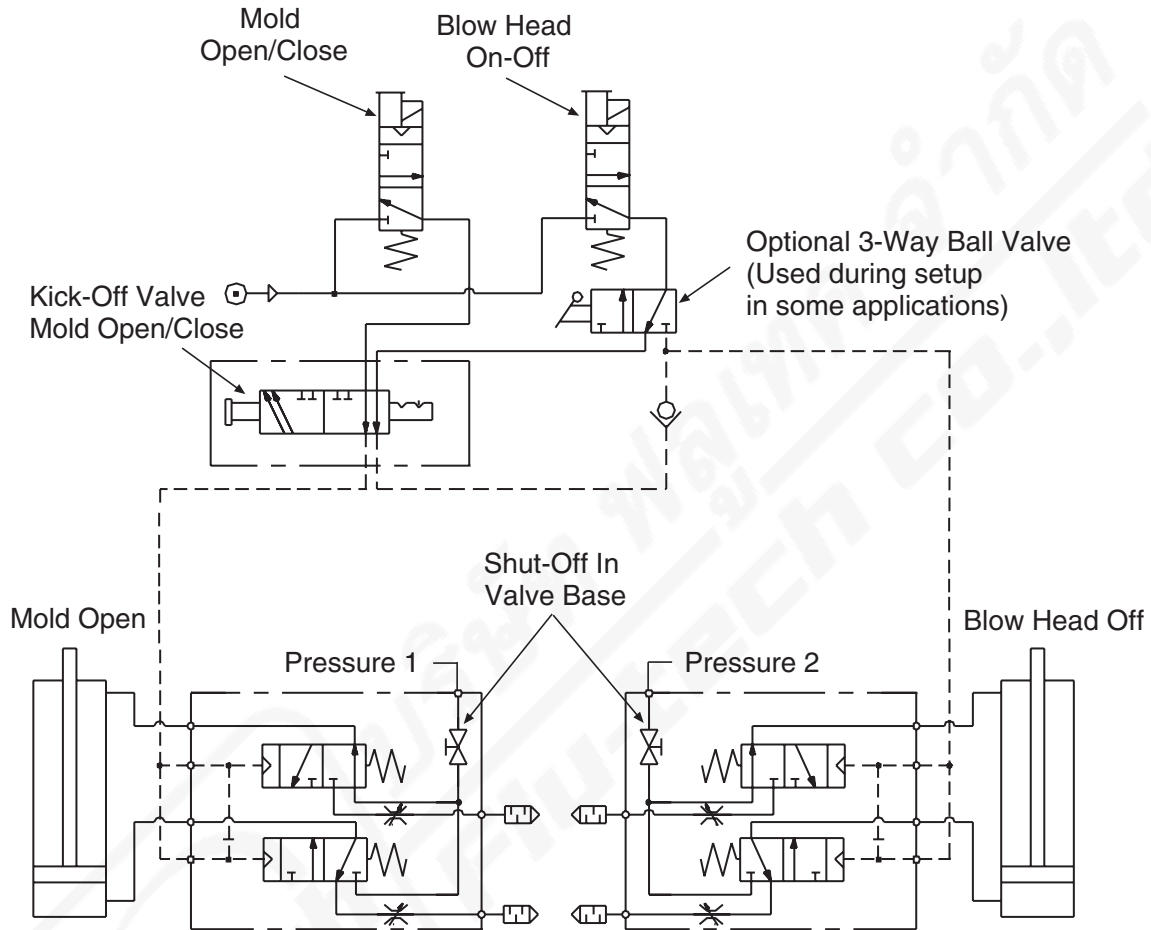
Inlet Pressure: 30 to 150 psig (2 to 10 bar).*

* Pressure Booster option may allow for operation with inlet and pilot pressures lower than 30 psig (2 bar). Consult ROSS for specifics.

AUTHORIZED DISTRIBUTOR



Typical Circuit



ROSS VALVES FOR IS GLASS MACHINES:

- 21-Valve Block
- Blow Head On/Off
- Blow Mold Vacuum
- Blow Pistol
- Cartridge Valve, Open or Closed
- Counterblow Vacuum or Hi-Lo Pressure
- Final Blow, Settle Blow, Finish Cooling, Blow Off
- Mold Open/Close
- Plunger Up or Down, Cooling
- Proportional Valve
- Pusher

FLU-TECH CO. LTD.

Email: sales@flutech.co.th **Website:** <https://flutech.co.th>

Tel: 02-384-6060, 086-369-5871-3 **Fax:** 02-384-5701 **LINE OA:** @flutech.co.th

Address (HQ): 845/3-4, Moo 3, Theparak Rd., T. Theparak, A. Mueang Samut Prakan, Samut Prakan, 10270, Thailand

