



PNEUMAX



PROPORTIONAL REGULATOR 1700 SERIES INDUSTRIAL ETHERNET FIELDBUS

EtherCAT[®]  EtherNet/IP[™]

- Easy connection and quick setup
- Front and rear pressure gauge connection
- Available in three sizes with M5, G1/4 and G1/2 connections
- Anodized aluminum body
- IP65 protection rating
- Centesimal accuracy in regulation

Precision and reliability

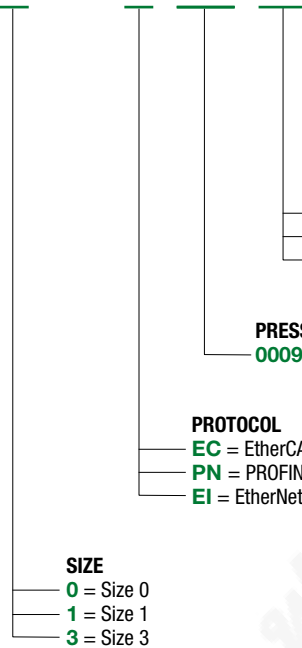
The 1700 Series electronic proportional regulators, in new fieldbus versions EtherCAT, PROFINET IO RT and EtherNet/IP are **available in three sizes** with flow rates of 7, 1100 and 4000 NI/min

The aluminum body, the compact design and the possibility to be mounted in different positions, guarantee maximum reliability and great installation flexibility to meet customer needs. The M12 IN/OUT connectors, the integrated display for viewing and manage command parameters ensure simple, fast and safe setup.

Ordering code



17 E2N . . .



VARIANT
 = Standard version (no additional letters required)
A = Exhaust downstream pressure when power supply is removed
E = External pressure feedback
AE = Version A + Version E

PRESSURE RANGE
0009 = From 0 to 9 bar

PROTOCOL
EC = EtherCAT
PN = PROFINET IO RT
EI = EtherNet/IP

SIZE
0 = Size 0
1 = Size 1
3 = Size 3

Features

PNEUMATIC			
Fluid	Air filtered at 5 micron and dehumidified		
Minimum inlet pressure	Desired outlet pressure + 1 bar		
Maximum inlet pressure	10 bar		
Outlet pressure	0 ... 9 bar		
	SIZE 0	SIZE 1	SIZE 3
Nominal flowrate from 1 to 2 (6 bar ΔP 1 bar)	7 NI/min	1.100 NI/min	4.000 NI/min
Discharge flowrate (6 bar with 1 bar overpressure)	7 NI/min	1.300 NI/min	4.500 NI/min
Air consumption	< 1 NI/min	< 1 NI/min	< 1 NI/min
Supply connection	M5	G 1/4	G 1/2
Operating connection	M5	G 1/4	G 1/2
Exhaust connection	Ø1,8	G 1/8	G 3/8
Maximum fitting tightening	3 Nm	15 Nm	15 Nm
ELECTRIC			
Supply voltage	24VDC ± 10% (stabilized with ripple <1%)		
Standby current consumption	70mA		
Current consumption with solenoid valves on	300mA		
Connector	M8 4 poles		
FUNCTIONAL			
Linearity	± Insensitivity		
Hysteresis	± Insensitivity		
Repeatability	± Insensitivity		
Sensitivity	0,02 bar		
Assembly position	Indifferent		
Protection rating	IP65 (with casing fitted)		
Ambient temperature	-5°C ... 50°C / 23°F ... 122°F		

FLU-TECH CO. LTD.

Email: sales@flutech.co.th Website: https://flutech.co.th

Tel: 02-384-6060, 086-369-5871-3 Fax: 02-384-5701 LINE OA: @flutech.co.th

Address (HQ): 845/3-4, Moo 3, Theparak Rd., T. Theparak, A. Mueang Samut Prakan, Samut Prakan, 10270, Thailand

