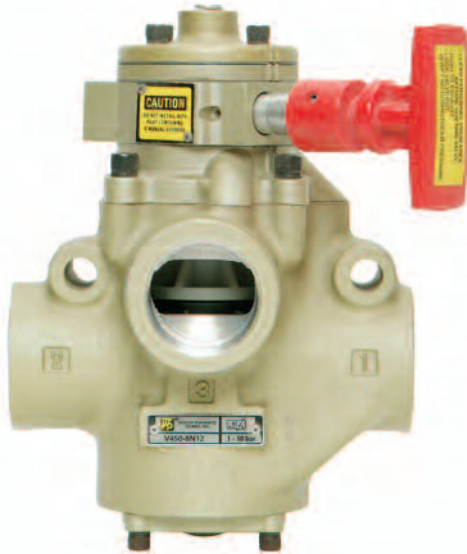


VANGUARD Manual Pilot 3/2 Valves with Lockout Control

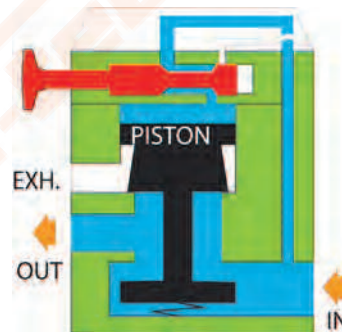
V450 Models Port Sizes: 1 to 2-1/2

Model Shown: V450-8N12



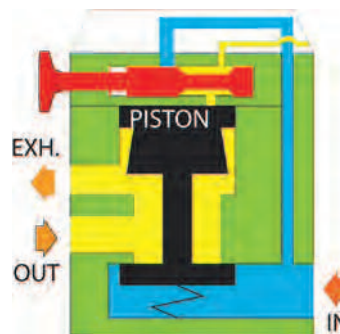
- ◆ 3-Way poppet valve. Available in two body sizes and five port sizes.
- ◆ Large operating handle is red so it will be easily seen in the workplace.
- ◆ Can be padlocked only in the closed position.
- ◆ Lockout spool moves smoothly even after long period on standby.
- ◆ Threaded exhaust port to accommodate a silencer or a line for remote exhausting.
- ◆ NPTF port threads; optional BSPP threads.

VALVE OPERATION



VALVE OPEN

With the red handle pulled outward, supply air flows to the top of the piston causing it to open the inlet poppet. Supply air then flows freely from inlet to outlet, and the exhaust port is blocked.



VALVE CLOSED

With a short inward push of the red handle, supply air is blocked from the outlet, and downstream air is exhausted to atmosphere via the exhaust port. The valve can be padlocked in the closed position.

SPECIFICATIONS

Ambient/Media Temperature:

40° to 175°F (4° to 80°C).

Fluid Media: Compressed air.

Inlet Pressure: See DIMENSIONS for port sizes.

1-1/2 exhaust port: 15 to 150 psig (1 to 10 bar).

2-1/2 exhaust port: 30 to 150 psig (2 to 10 bar).

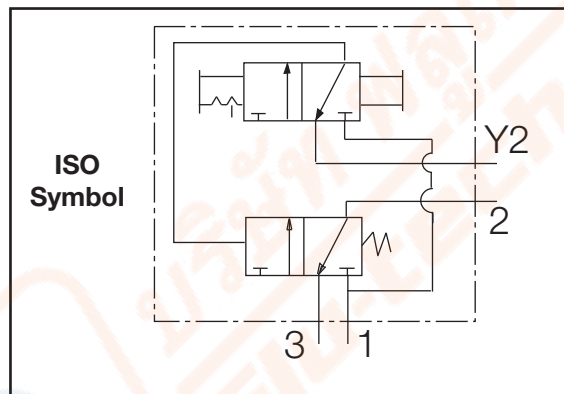
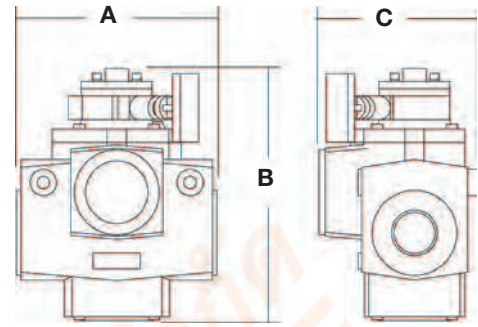


บริษัท ฟลูเทค จำกัด
FLU - TECH CO., TD

845/3-4 หมู่ 3 ถ.เทพารักษ์ ถ.เทพารักษ์ อ.เมือง จ.สมุทรปราการ 102070
845/3-4 Thepaharak RD., T. Thepharak, A. Muang, Samutprakan 10270 THAILAND
Tel. 0 2384 6060, Fax 0 2384 5701, Email : sales@flutech.co.th, www.flutech.co.th

DIMENSIONS inches (mm)

Port Sizes In-Out	Exh	Average c_v		A	B	C
		1 to 2	2 to 3			
1	1-1/2	23	34			
1-1/4	1-1/2	30	32	7.6 (193)	8.5 (216)	6.6 (166)
1-1/2	1-1/2	30	31			
1-1/2	2-1/2	68	70			
2	2-1/2	70	70	8.8 (222)	10.5 (267)	7.1 (180)
2-1/2	2-1/2	70	71			



ORDERING INFORMATION

Select the port sizes in the sample model number below to specify the valve you want.

V450 - 8 N12 W

INLET/OUTLET PORTS

- 1 NPTF 8
- 1-1/4 NPTF 10
- 1-1/2 NPTF 12
- 2 NPTF 16
- 2-1/2 NPTF 20

PORT TYPE

- NPTF threads Leave Blank
- BSPP threads W

EXHAUST PORT SIZE:

- 1-1/2 exhaust port.....N12
for 1, 1-1/4, 1-1/2 inlet / outlet ports
- 2-1/2 exhaust port.....N20
for 1-1/2, 2, 2-1/2 inlet / outlet ports

