

# VANGUARD Manual Lockout Valves

## V40 Models Port Sizes: 3/8 to 1-1/4



Model Shown: V40-3N8

### SPECIFICATIONS

**Ambient/Media Temperature:**

40° to 175°F (4° to 80°C).

**Fluid Media:** Compressed air.

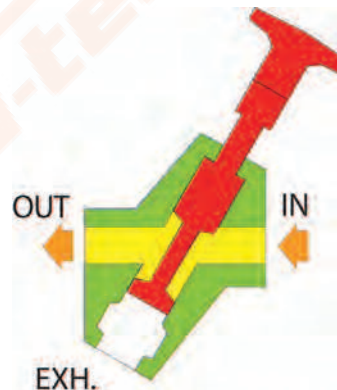
**Inlet Pressure:** 15 to 150 psig (1 to 10 bar).

- ◆ 3-Way spool lockout valve. Available in two body sizes and five port sizes.
- ◆ Large operating handle is red so it will be easily seen in the workplace.
- ◆ Can be padlocked only in the closed position.
- ◆ Spool moves smoothly even after a long period on standby.
- ◆ Threaded exhaust port to accommodate a silencer or a line for remote exhausting.
- ◆ NPTF port threads; optional BSPP threads.

### VALVE OPERATION

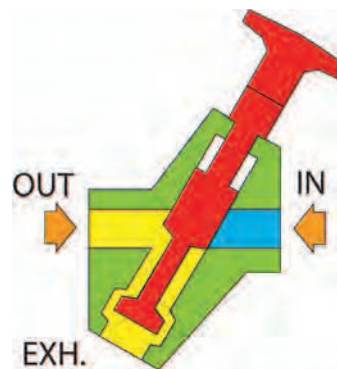
#### VALVE OPEN

With the red handle pulled outward, supply air flows freely from inlet to outlet, and flow to the exhaust is blocked. The sleeve cannot be padlocked in the open position so that it is always ready for immediate closing.



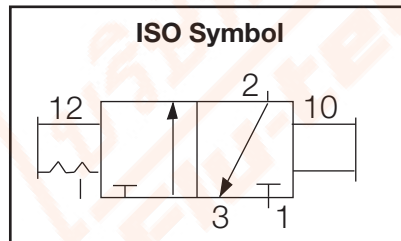
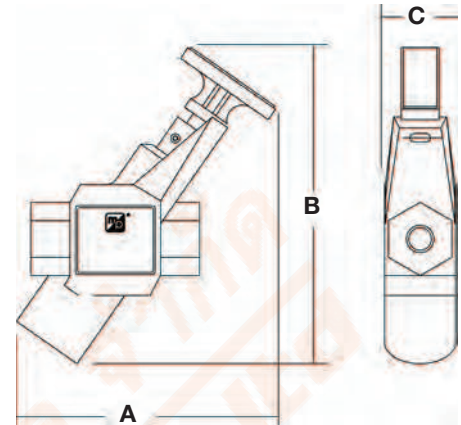
#### VALVE CLOSED

With a short inward push of the red handle, supply air is blocked from the outlet, and downstream air is exhausted to atmosphere via the exhaust port at the bottom of the valve. The valve can be padlocked in the closed position.



### DIMENSIONS inches (mm)

Port Sizes		Average C <sub>v</sub>		A	B	C
In-Out	Exh	1 to 2	2 to 3			
3/8	3/4	6.0	8.0	6.4 (163)	8.8 (224)	2.0 (51)
1/2	3/4	7.1	8.3			
3/4	3/4	8.6	9.5			
3/4	1-1/4	13	12	7.7 (196)	10.8 (274)	2.3 (58)
1	1-1/4	13	14			
1-1/4	1-1/4	20	14			



### ORDERING INFORMATION

Select the port sizes in the sample model number below to specify the valve you want.

**V40 - 3 N6 W**

**INLET/OUTLET PORTS**

- 3/8 NPTF ..... 3
- 1/2 NPTF ..... 4
- 3/4 NPTF ..... 6
- 1 NPTF ..... 8
- 1-1/4 NPTF ..... 10

**PORT TYPE**

NPTF threads ..... Leave Blank

BSPP threads ..... W

**EXHAUST PORT SIZE:**

3/4 exhaust port ..... N6  
for 3/8, 1/2, 3/4 inlet / outlet ports

1-1/4 exhaust port ..... N10  
for 3/4, 1, 1-1/4 inlet / outlet ports

