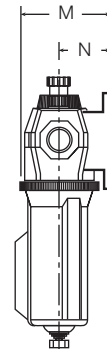
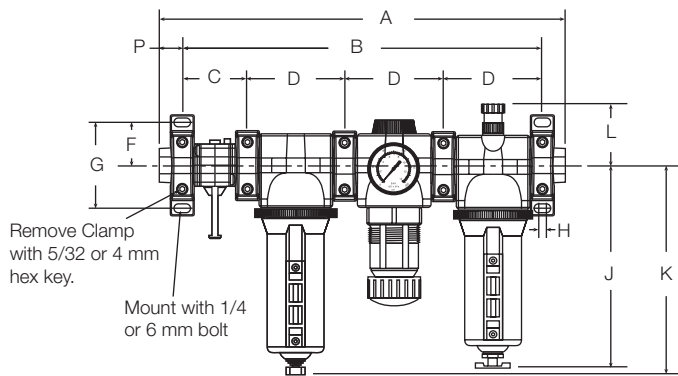


SERIES 350 and 380 Modular Accessories

Dimensions: inches (mm)



	350	380
A	13.78 (350.1)	15.35 (389.9)
B	12.02 (305.4)	13.59 (345.2)
C	2.5 (63.5)	2.5 (63.5)
D	3.28 (83.3)	3.71 (94.2)
F	1.50 (38.1)	1.50 (38.1)
G	3.00 (76.2)	3.00 (76.2)
H	0.20 (5.1)	0.20 (5.1)
J	6.02 (152.9)	7.36 (186.9)
K	6.42 (163.1)	7.56 (192.0)
L	2.21 (56.1)	2.19 (55.6)
M	3.05 (77.5)	3.24 (82.3)
N	1.79 (45.5)	1.79 (45.5)
P	0.88 (22.4)	0.88 (22.4)

MALE and FEMALE END PORTS



Either male or female end ports can be attached to threaded inlet and outlet lines. This allows all modules of an FRL assembly to be removed easily and quickly without having to unthread the end modules. The end ports are attached to the modules with clamps (see at left). End ports can be included in an assembled FRL or ordered separately by the following part numbers:

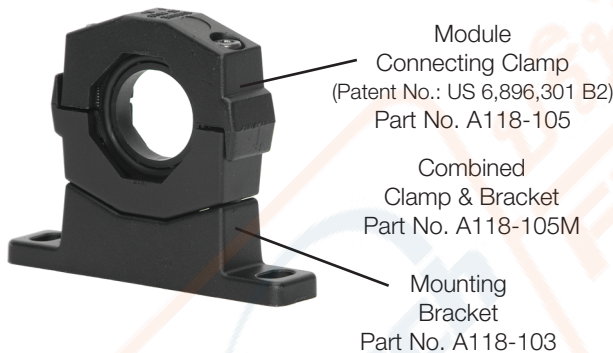
Port Size	Male Number	Female Number
1/4 NPTF	118-109-2F	118-100-2
1/4 BSP*	118-109-2FW	118-100-2W
3/8 NPTF	118-109-3F	118-100-3
3/8 BSP*	118-109-3FW	118-100-3W
1/2 NPTF	118-109-4F	118-100-4
1/2 BSP*	118-109-4FW	118-100-4W
3/4 NPTF	118-109-6F	118-100-6
3/4 BSP*	118-109-6FW	118-100-6W

Note: * = add T for male threads P for female threads.

EXTRA PORT BLOCK

An extra port block can be placed between modules to provide two auxiliary ports. Its mounting position can be rotated to obtain the most convenient operating orientation. If only one auxiliary port is to be used, the unused port must be closed with a pipe plug. (The inlet and outlet are not threaded.) Order with FRLs or order by the following part numbers:

Auxiliary Port Size	Part Number
1/4 NPTF.....	118-106-2
1/4-BSP.....	118-106-2W
3/8 NPTF.....	118-106-3
3/8-BSP.....	118-106-3W
1/2 NPTF.....	118-106-4
1/2-BSP.....	118-106-4W



Module Connecting Clamp (Patent No.: US 6,896,301 B2) Part No. A118-105
 Combined Clamp & Bracket Part No. A118-105M
 Mounting Bracket Part No. A118-103

CLAMP for MODULE CONNECTIONS

Specially designed clamps provide a quick and easy assembly or disassembly of Series 350 and 380 modules. Two allen-head bolts quickly tighten or loosen the clamp using a 5/32 or 4mm hex key. The clamp contains a plate carrying two O-rings to provide positive sealing between modules. Order clamp by part number A118-105. Combined clamp and bracket (below) can be ordered by part number A118-105M.

MOUNTING BRACKET

Two brackets are normally used to mount an FRL to a vertical surface. The mounting bracket attaches to the module-connecting clamp (see above) with a single screw. Each bracket then employs two bolts (1/4" or 6mm) to connect the assembly to the mounting surface. Order bracket and screw by part number A118-103. Combined bracket and clamp (above) can be ordered by part number A118-105M.

